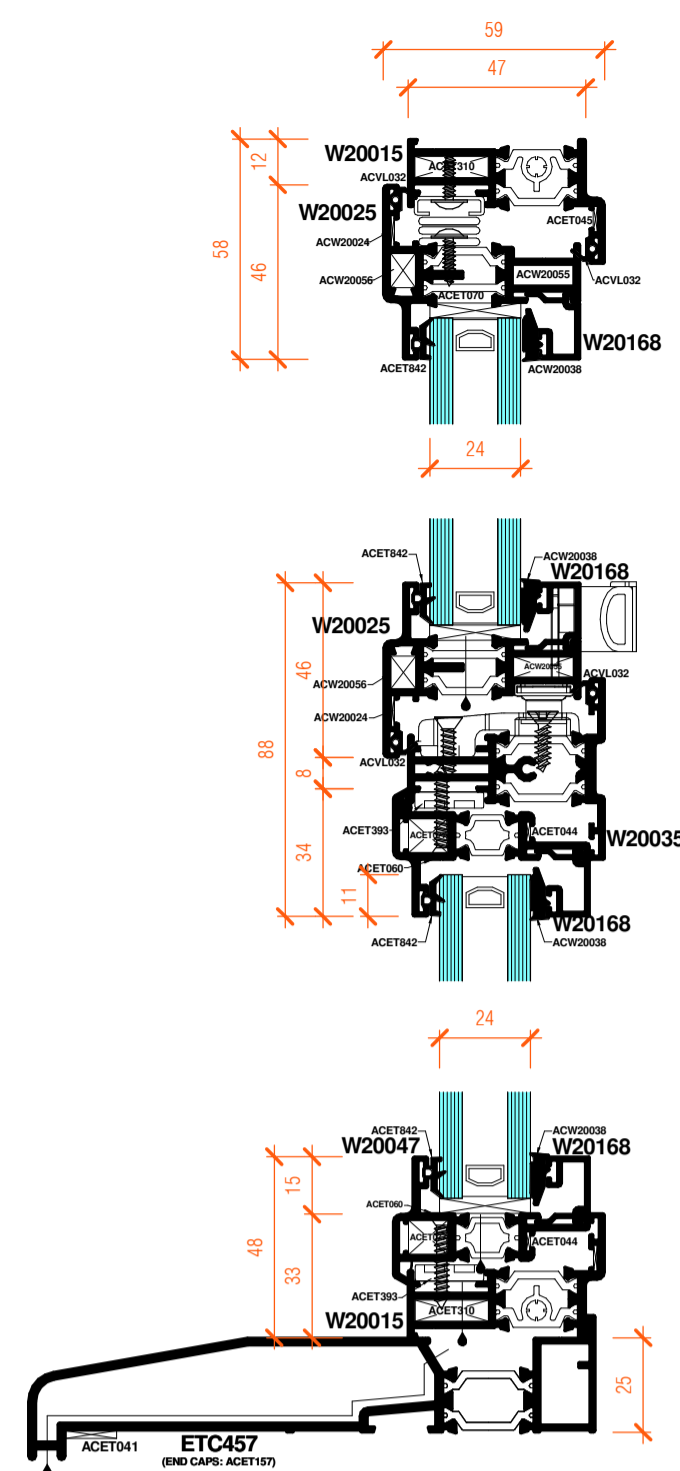
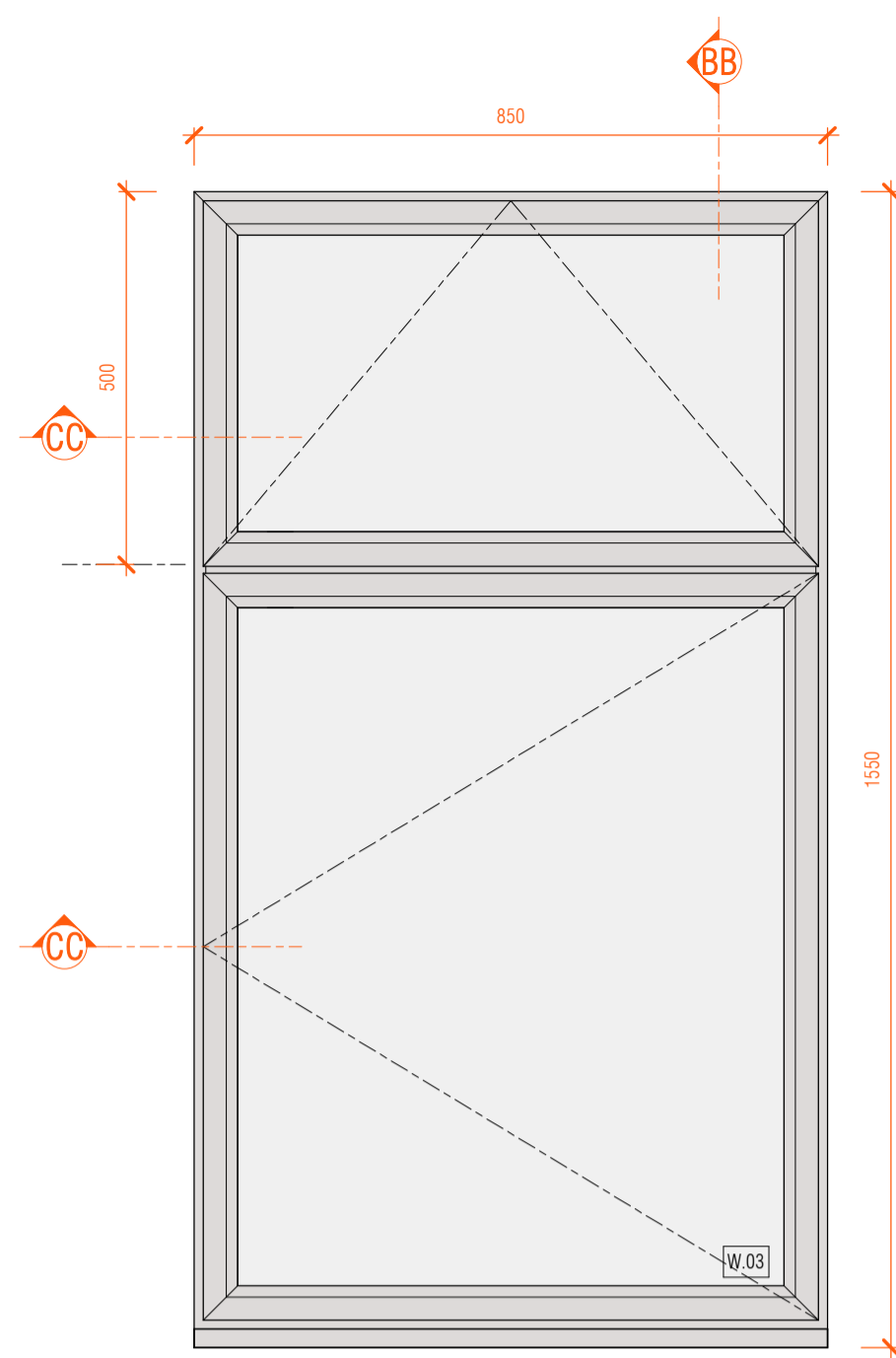


1 SMARTS HERITAGE WINDOW - FIX / FANLIGHT
1:10

SMART SYSTEMS 'ALITHERM HERITAGE' WINDOW
RAL: 7005 (BLACK)
SUPPLIER: DURATION WINDOWS

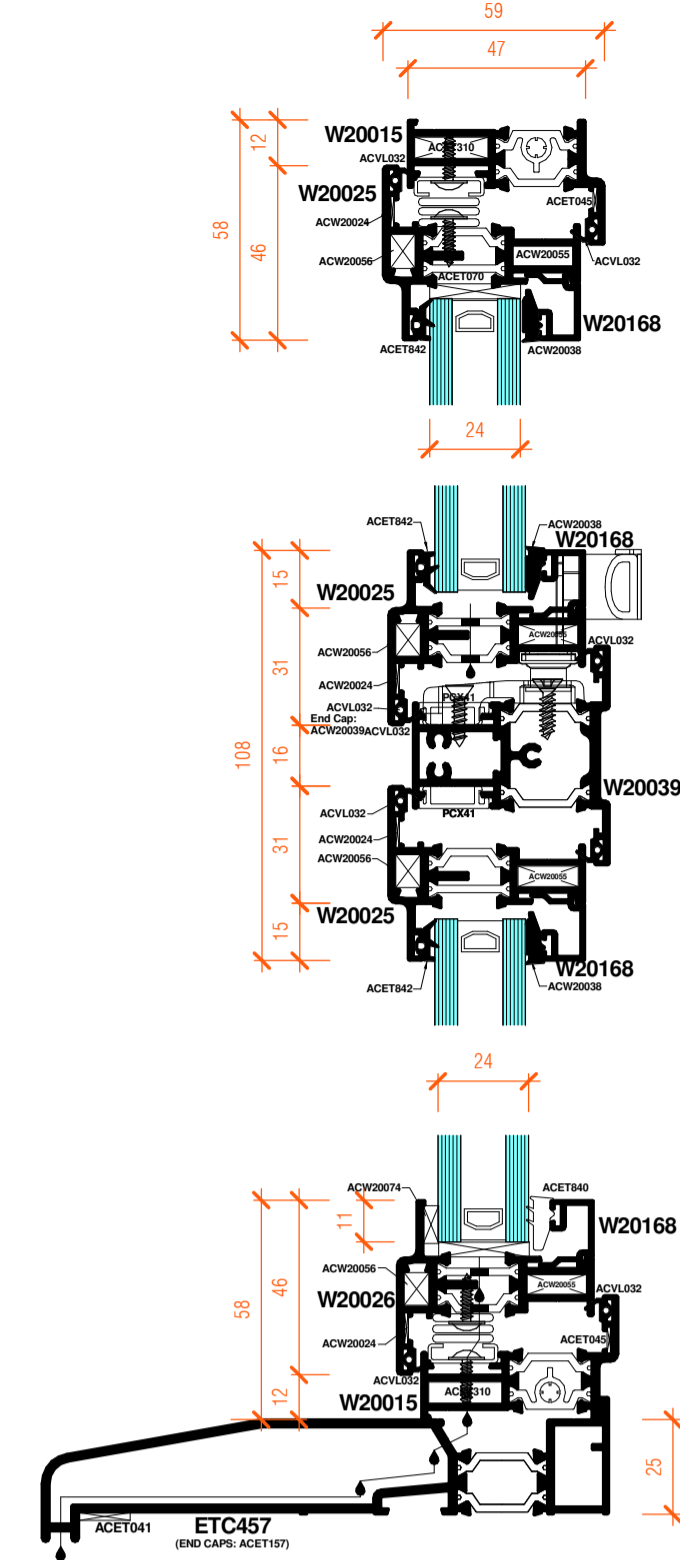


AA SMARTS HERITAGE WINDOW VERTICAL SECTION
1:2

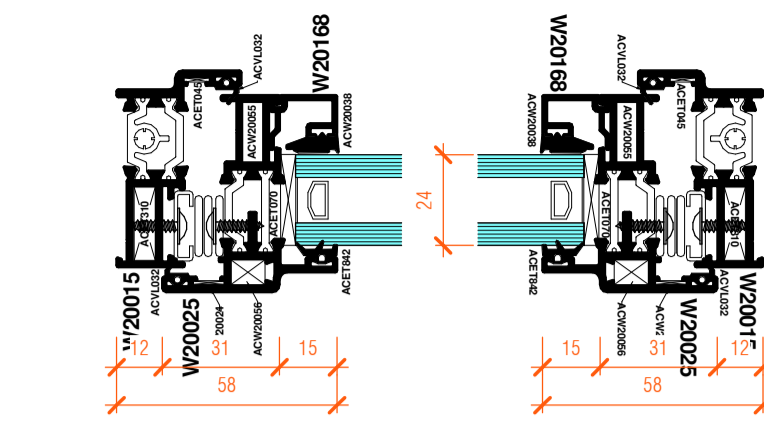


2 SMARTS HERITAGE WINDOW - CASEMENT / FANLIGHT
1:10

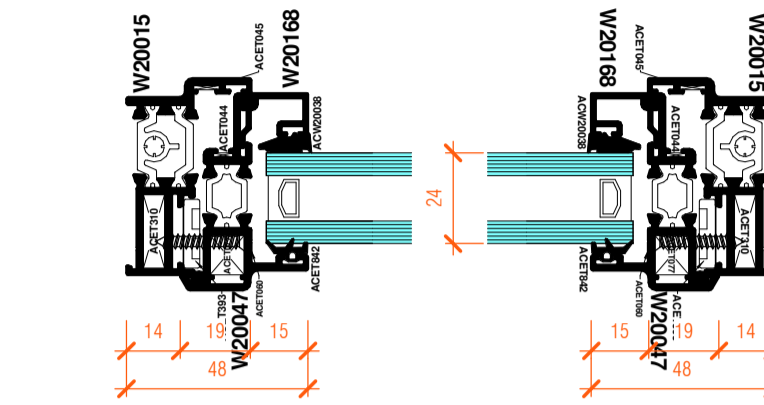
SMART SYSTEMS 'ALITHERM HERITAGE' WINDOW
RAL: 7005 (BLACK)
SUPPLIER: DURATION WINDOWS



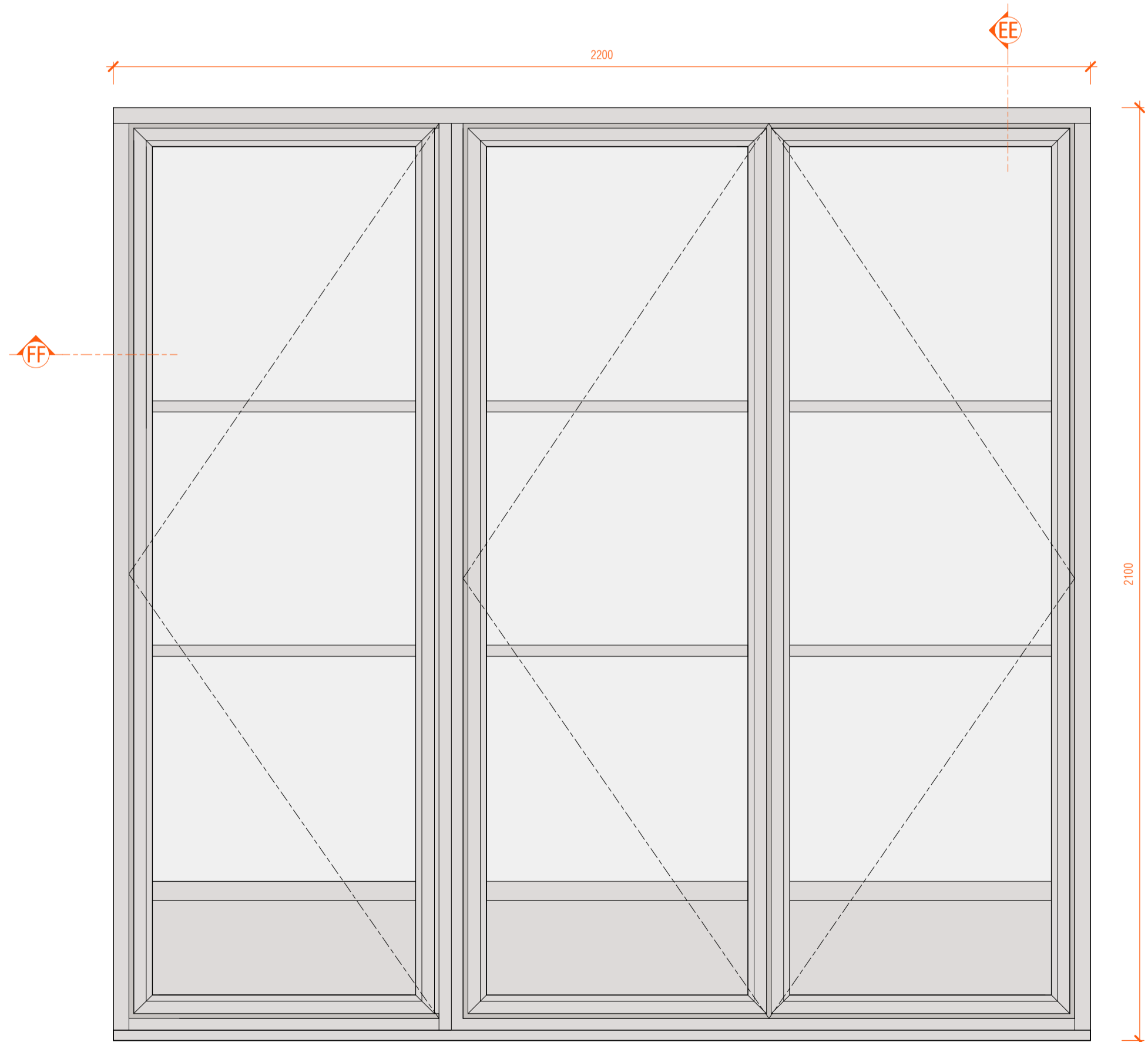
BB SMARTS HERITAGE WINDOW VERTICAL SECTION
1:2



CC WINDOW JAMB HORIZONTAL SECTION (OPENING)
1:2

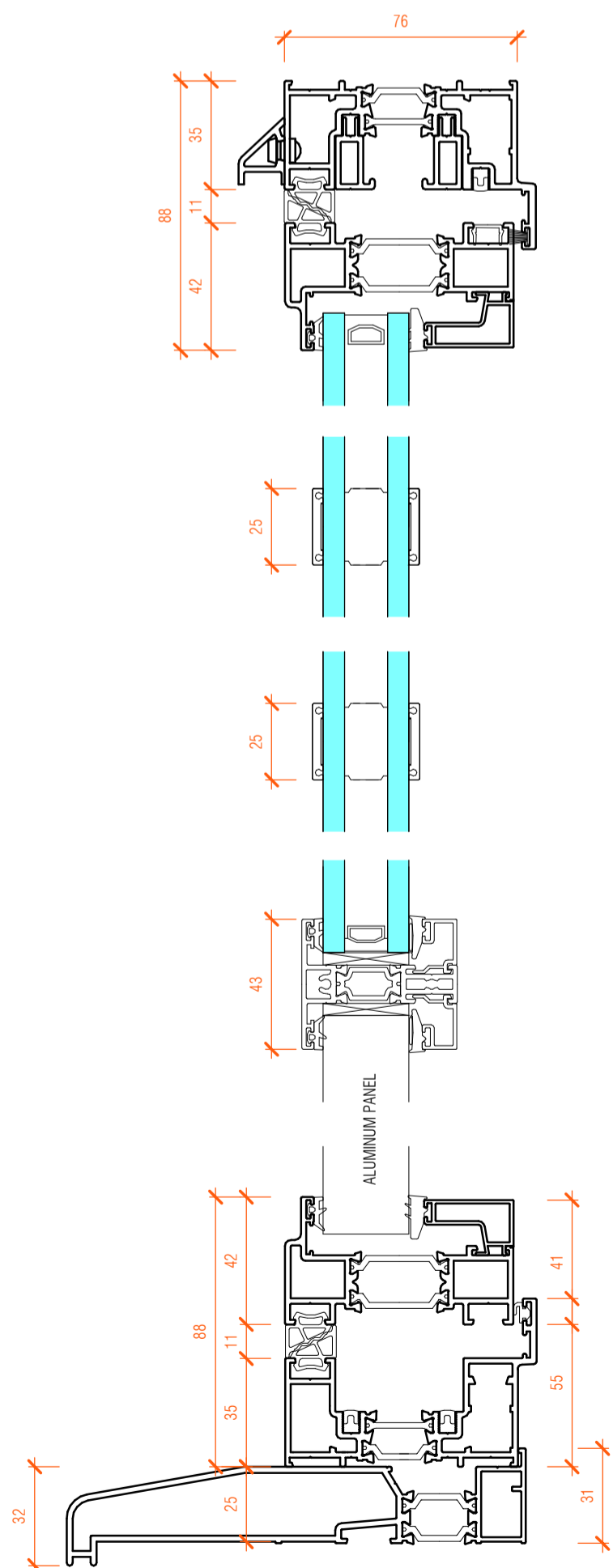


DD WINDOW JAMB HORIZONTAL SECTION (FIXED)
1:2

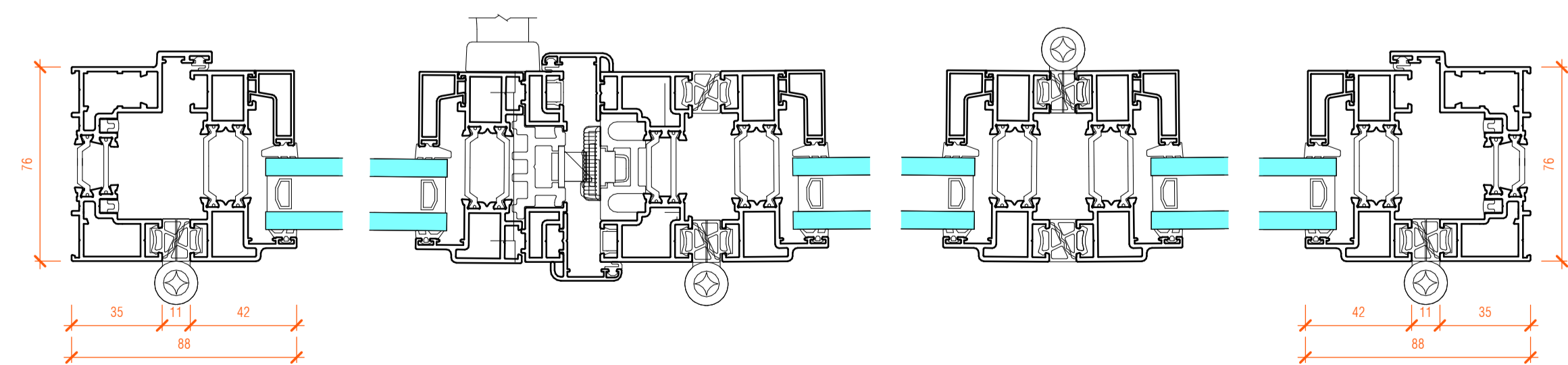


3 BI-FOLD DOOR ELEVATION
1:10

DURATION 'HERITAGE' BI-FOLD DOORS
RAL: 7005 (BLACK)
SUPPLIER: DURATION WINDOWS



EE BI-FOLD DOOR VERTICAL SECTION
1:2



FF BIFOLD DOOR HORIZONTAL SECTION
1:2

C 07.08.21 PLANNING CONDITIONS ISSUE
B 09.08.21 UPDATED TO MATCH DURATION
WINDOWS PROFILES
A 01.08.21 CLIENT ISSUE FOR COMMENT

ISSUE DATE

THESE DRAWINGS, PLANS AND SPECIFICATION ARE THE
COPYRIGHT AND PROPERTY OF MAUDE + EDWARDS ARCHITECTS
AND MUST NOT BE USED, REPRODUCED OR COPIED WHOLLY OR
IN PART WITHOUT THE WRITTEN PERMISSION OF
MAUDE + EDWARDS ARCHITECTS. ALL RIGHTS RESERVED.

VAN DUJK
GRANGE FARM
PROJECT
POTASH LANE, IP14 4SL
SITE ADDRESS
WINDOW / DOOR PROFILES
DRAWING TITLE
SKETCH DESIGN (SD)
PROJECT STAGE

maude+edwards
architects

SCALE: As indicated @A1