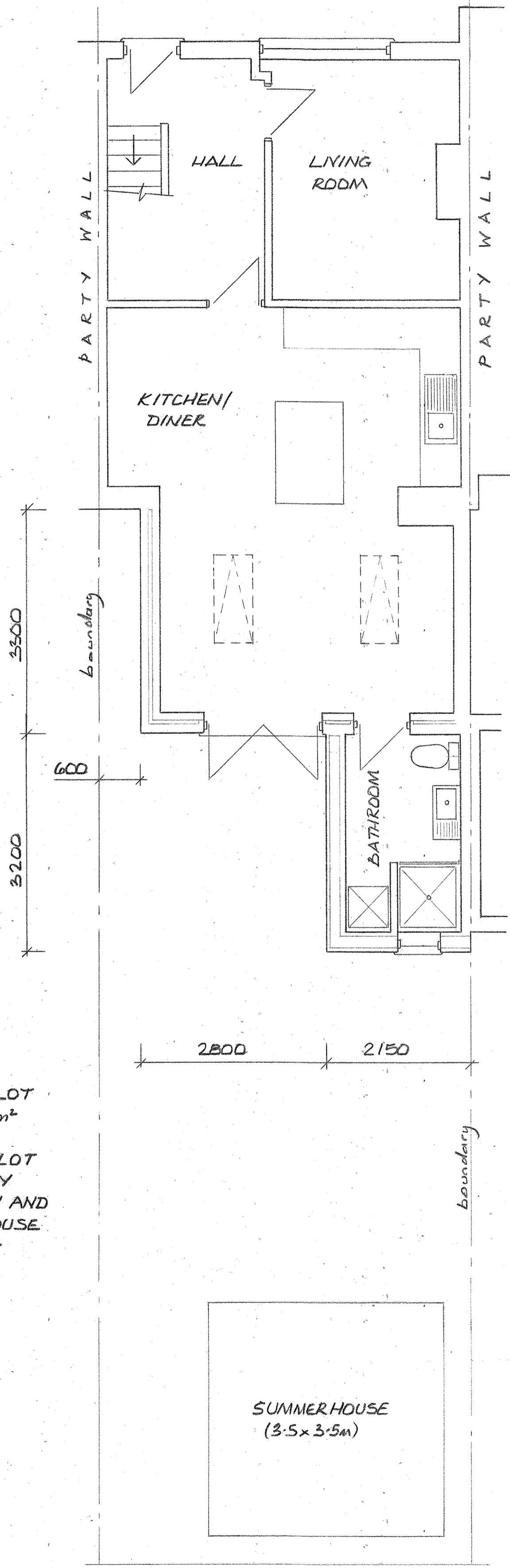
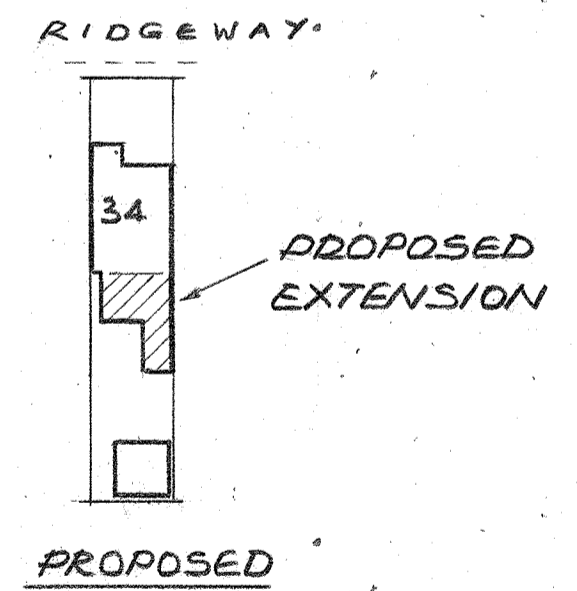
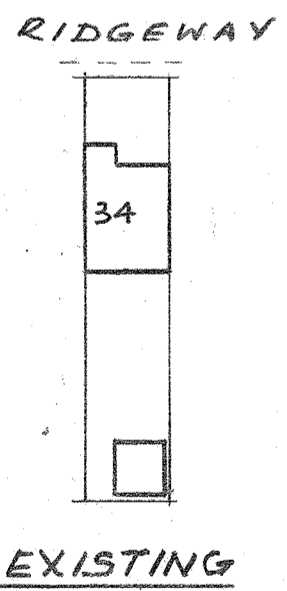
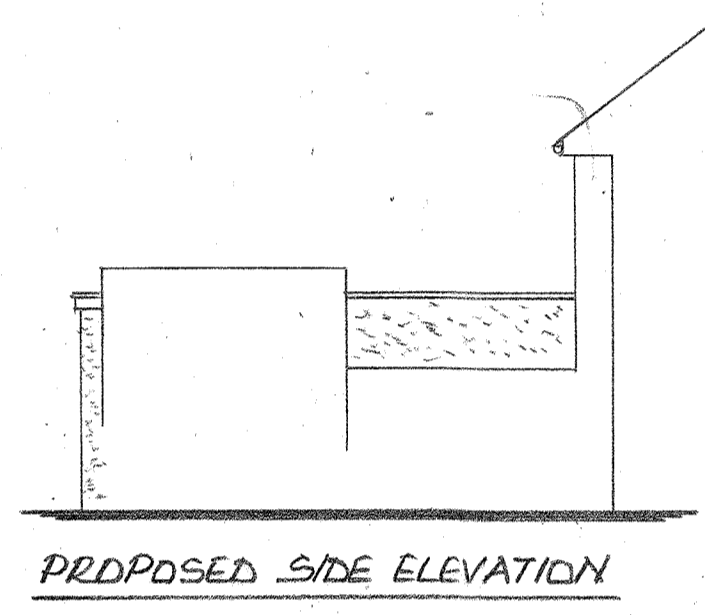
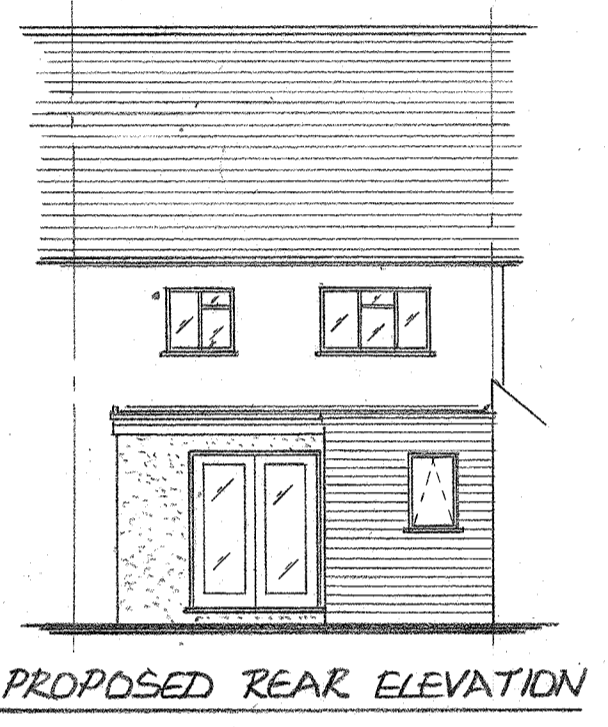
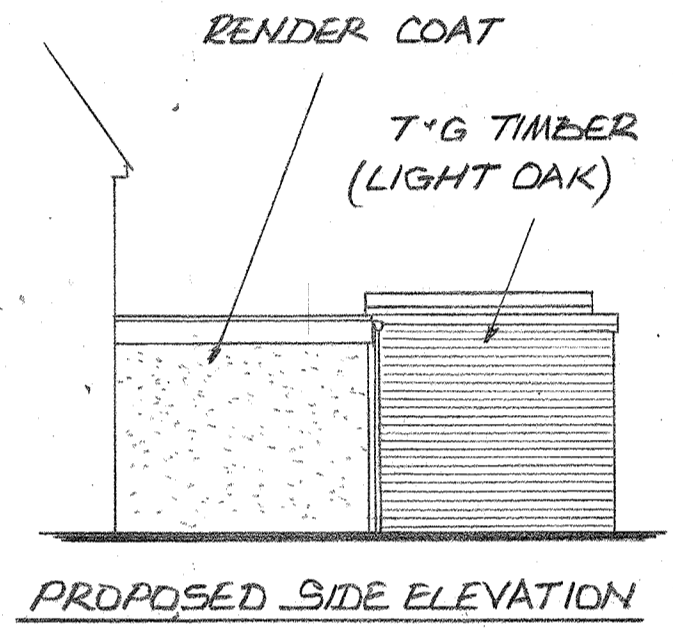
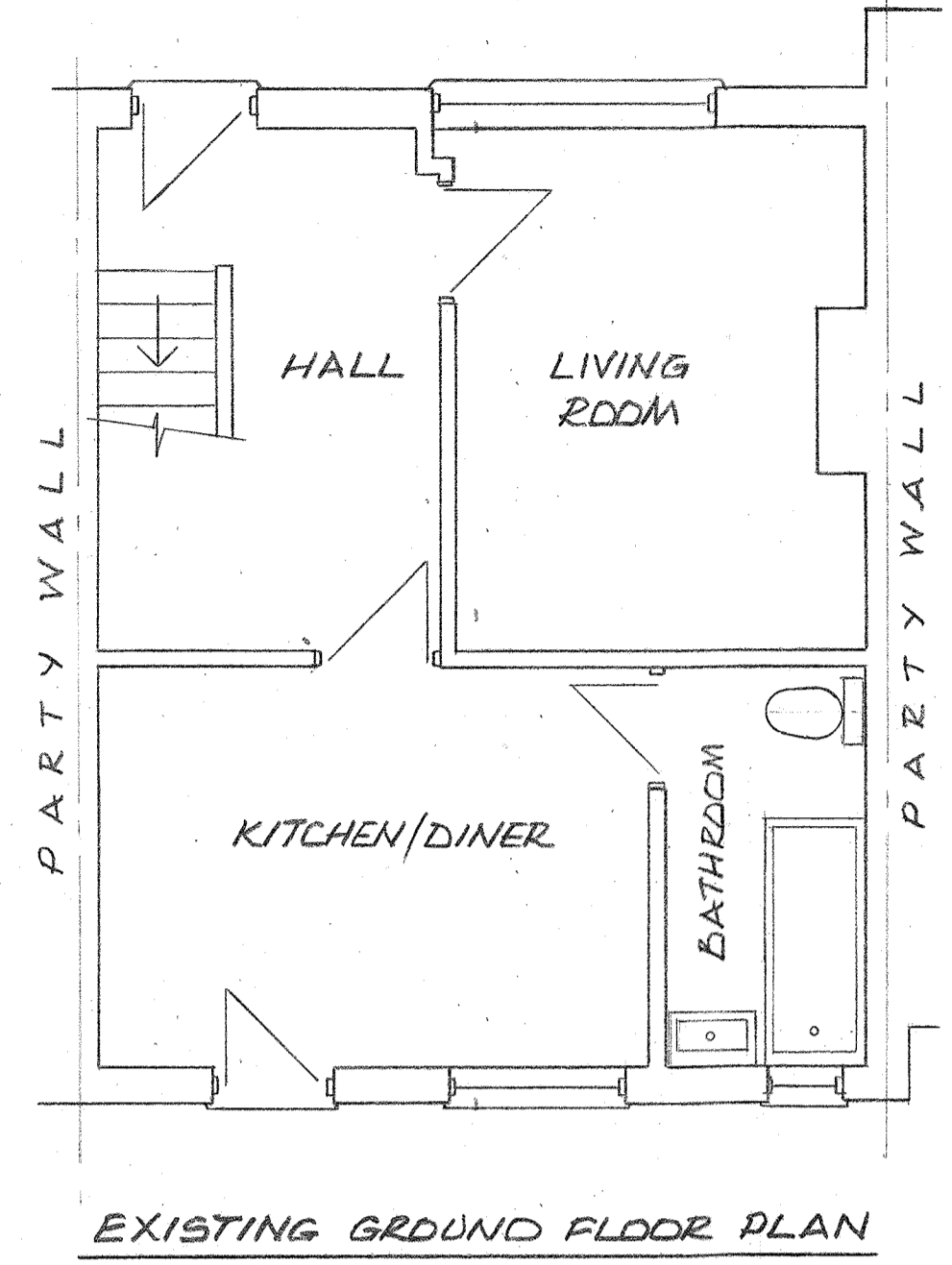
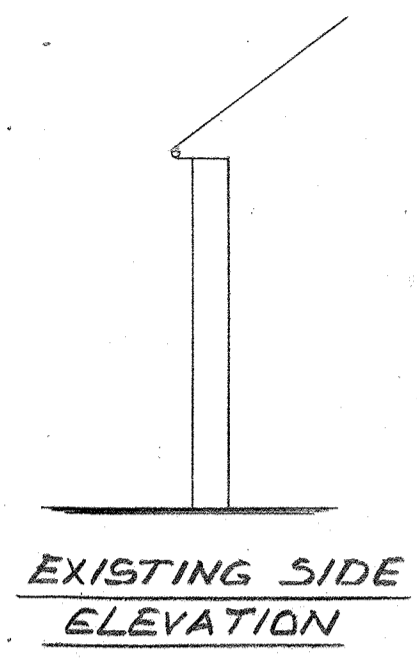
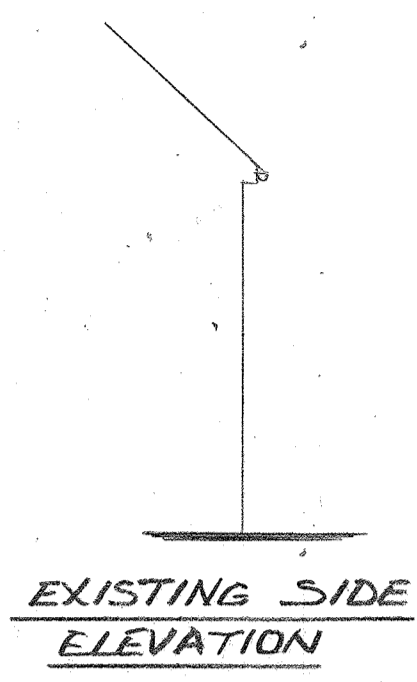


PROPOSED GROUND FLOOR PLAN



* AREA OF PLOT = 86.86m²
 * AREA OF PLOT COVERED BY EXTENSION AND SUMMERHOUSE = 25.3m²



BLOCK PLANS
SCALE (1:500)

DRAWN: JAC DATE: 16/03/21 ISSUE: 2	RETROSPECTIVE PLANNING APPLICATION FOR A SINGLE STOREY GROUND FLOOR KITCHEN + BATHROOM EXT ⁿ AT 34 RIDGEWAY, CRAYFORD, KENT, DA1 3PE FOR MR. N. BLAGUTA
SCALE 1:50, 1:100 & 1:500	SHEET 1 OF 1