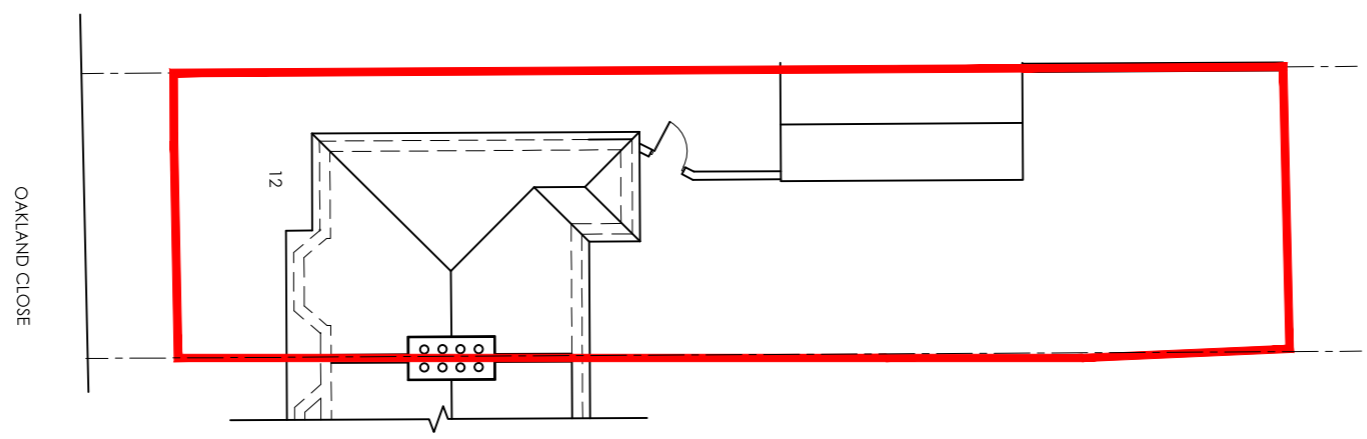


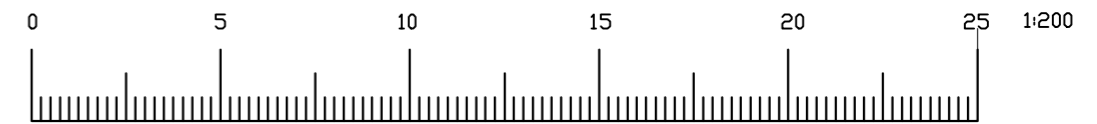
Notes	
	All dimensions shown are in millimeters unless otherwise stated. Only figured dimension to be taken from this drawing and not scaled dimensions.




SITE PLAN 1:200



LOCATION PLAN  
SCALE 1:1250



Project: PROPOSED FIRST FLOOR EXTENSION 12 KENMERE WELLING DA16		 <small>Loft conversion &amp; Extension Specialists 07815559217 / 02070388208</small>	
CLIENT: K. GILSON			
REV:	Date	CHECKED BY: TA	SCALE: 1:100
		DRAWN BY: TA	
		SITE PLANS	
		<b>210818-30</b>	
		<small>REV:</small>	

This drawing and the building work illustrated are copyright and may not be reproduced without written permission.