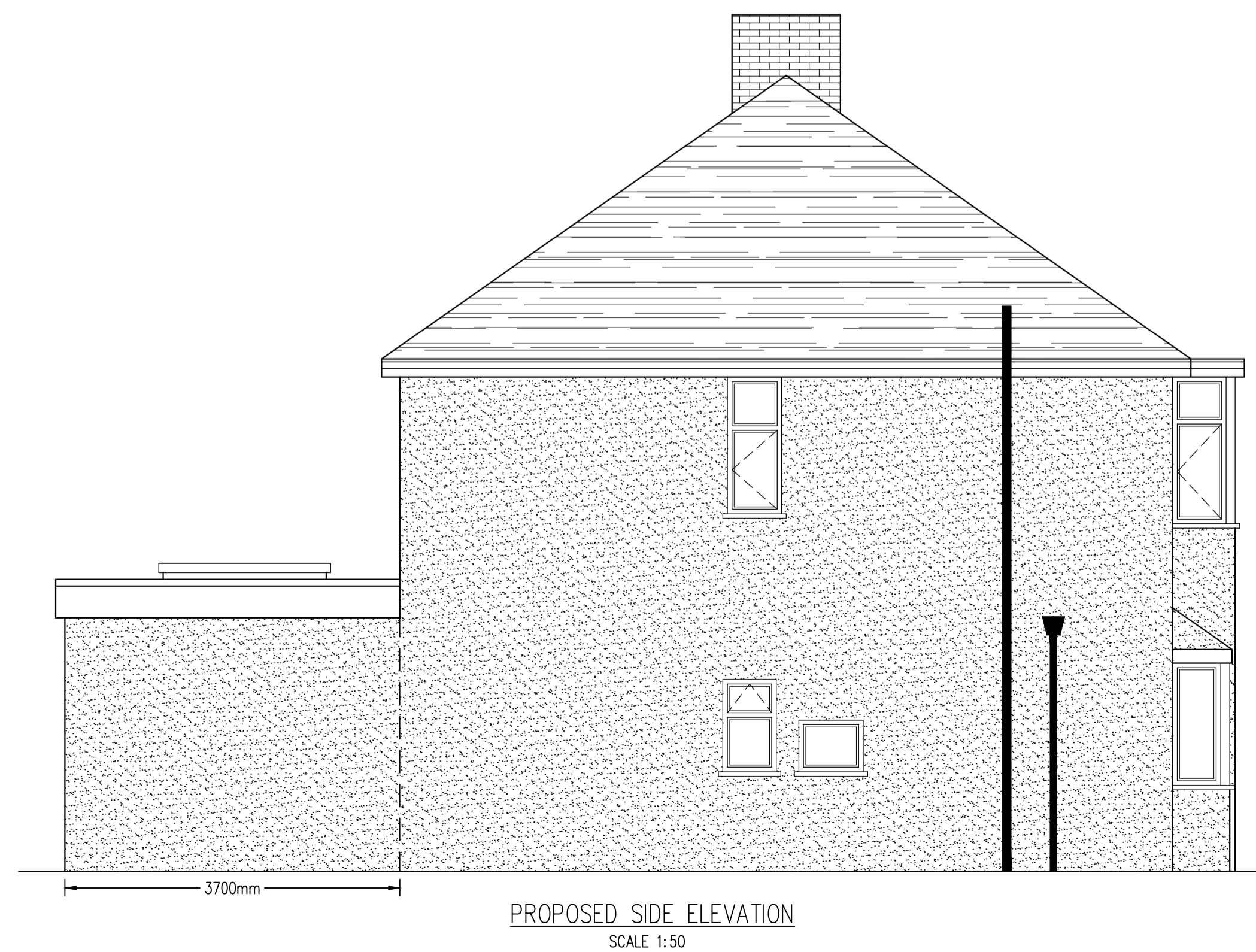
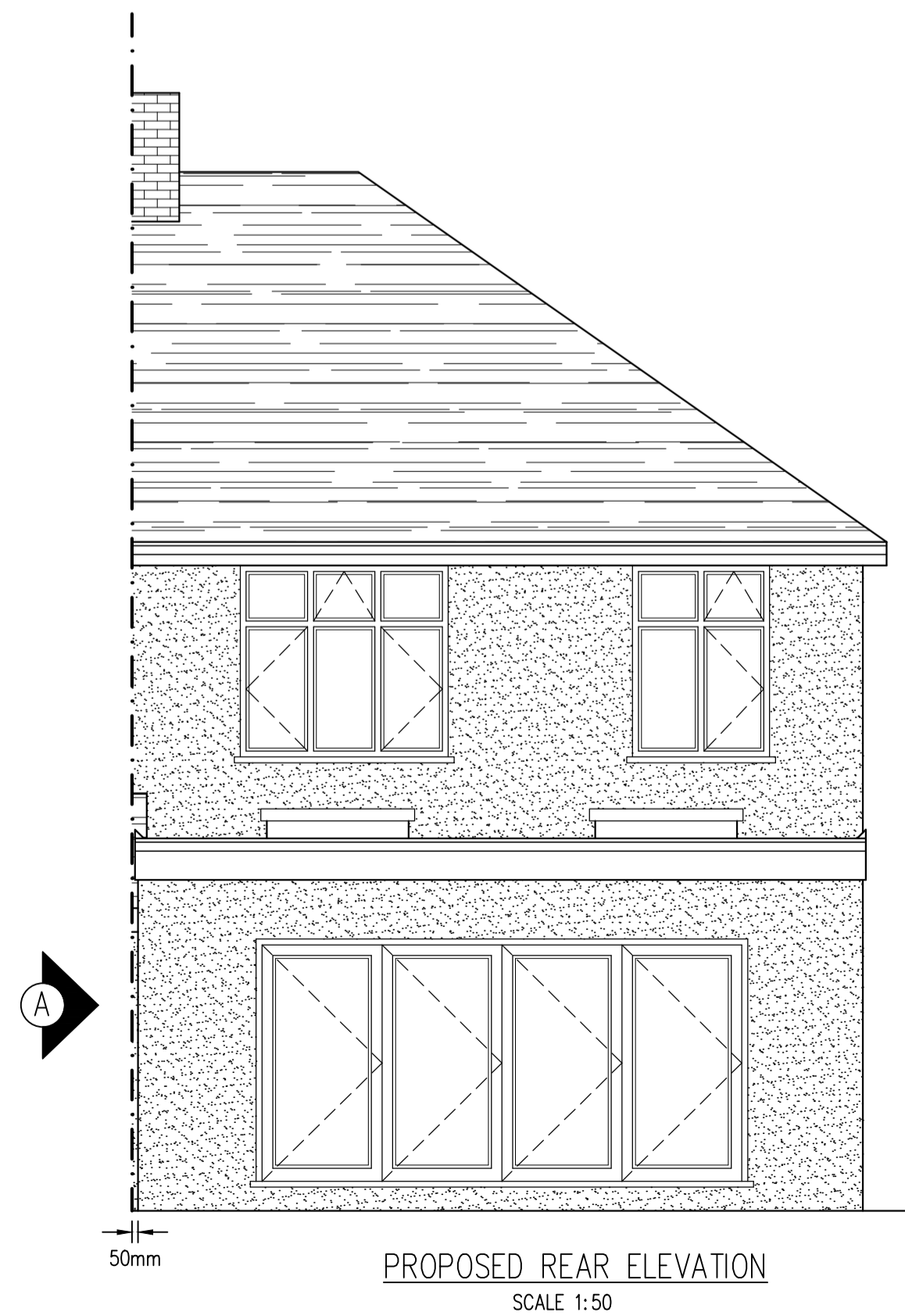
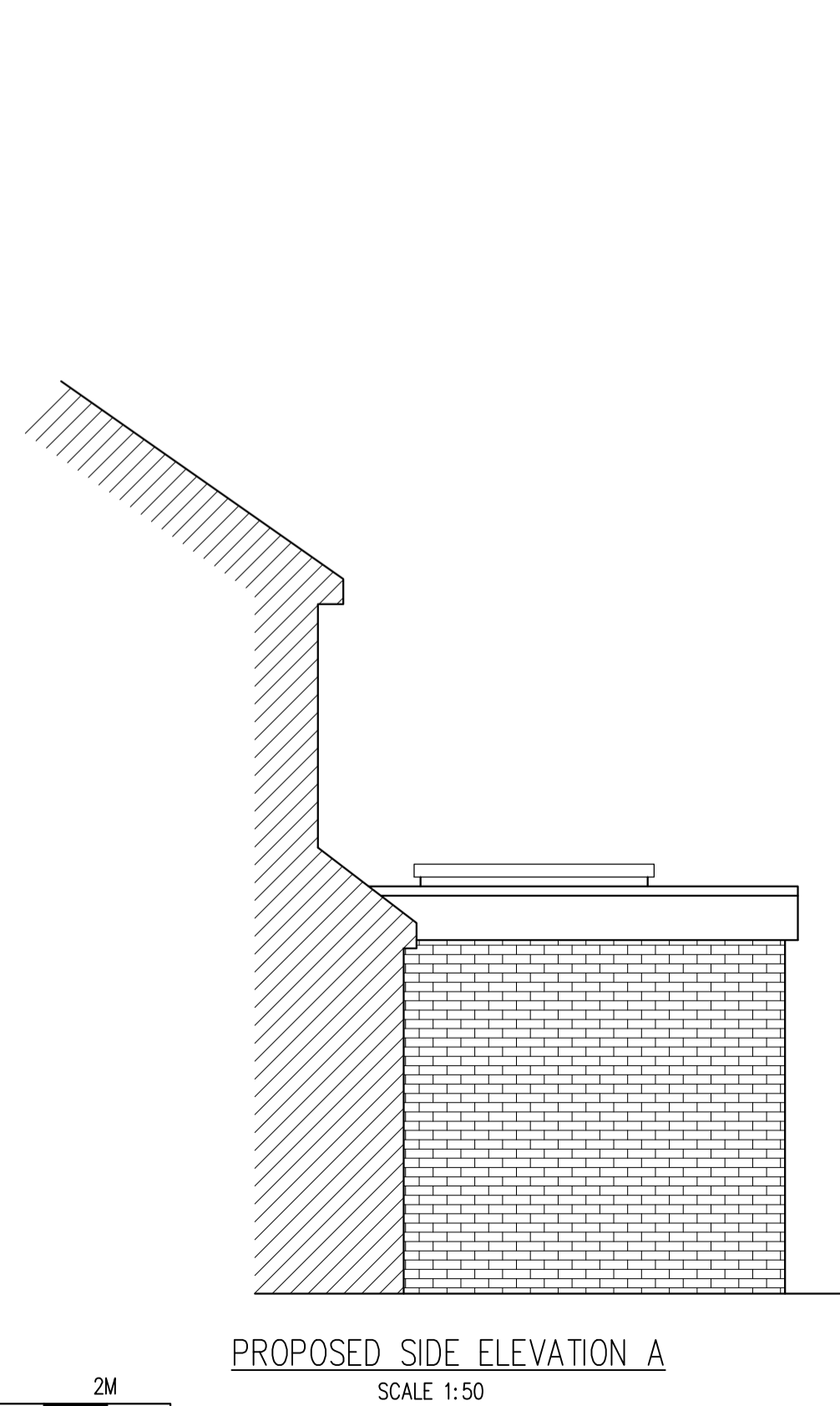


NOTE:
ALL STRUCTURAL MEMBERS INCLUDING BEAMS, POSTS, PADSTONES, CONNECTION DETAILS ETC. TO BE JUSTIFIED & CALCULATED BY A QUALIFIED STRUCTURAL ENGINEER. A CONDITIONAL APPROVAL MAY BE GRANTED FOR ALL STRUCTURAL MEMBERS. THE CALCULATIONS MUST BE SUBMITTED TO & APPROVED BY THE COUNCIL PRIOR TO COMMENCEMENT.



Rev	Date	By	Check	Revisions
Client				
MR & MRS NICK ROSEWELL				
Job Title				
SINGLE STOREY REAR EXTENSION AT 216 HALFWAY STREET SIDCUP KENT DA15 8DW				
ARCHITECTURAL CONSULTANTS				
 ANDERSON NORTH LIMITED 43 Lambourne Drive Kings Hill, West Malling Kent ME19 4FN Tel: 01732 522 455 Mob: 07957 627 440				
Scale		Date		
AS SHOWN @ A1		03/08/21		
Drawing Title				
PROPOSED FLOOR PLAN AND ELEVATIONS				
Drawing No.				Rev.
216-HALFWAY-STREET-02				A