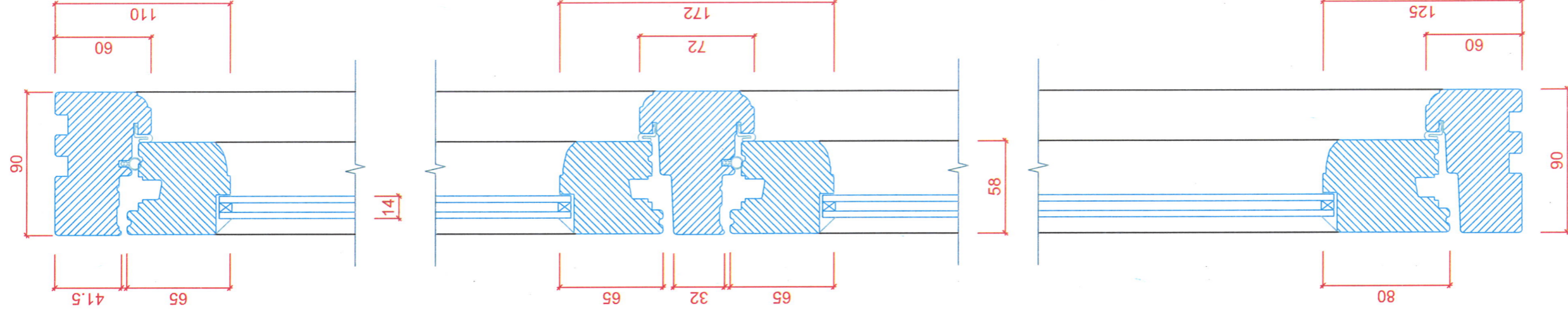
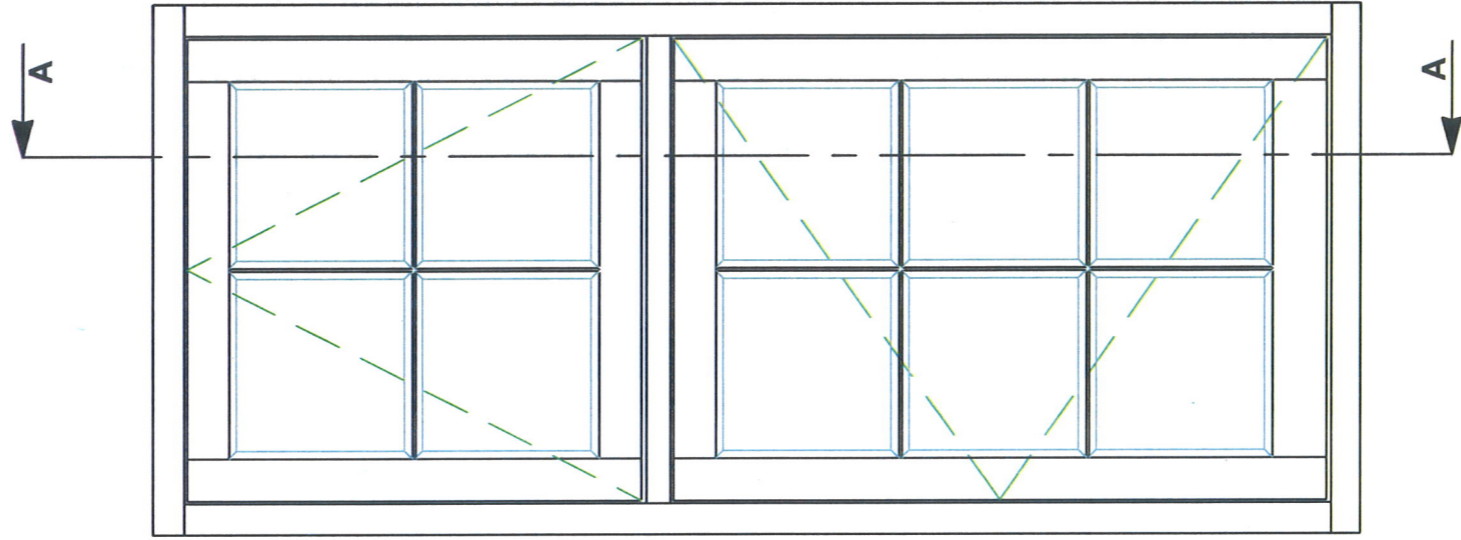
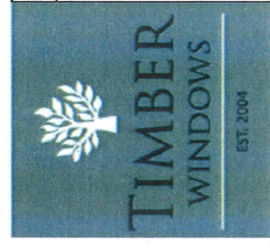


THIS DRAWING AND SPECIFICATIONS ARE THE PROPERTY OF THE PERFORMANCE WINDOW GROUP. THEY ARE ISSUED IN STRICT CONFIDENCE AND SHALL NOT BE REPRODUCED, COPIED OR USED AS THE BASIS FOR MANUFACTURING WITHOUT WRITTEN PERMISSION.



CASEMENT CROSS SECTION 'A-A'



TOLERANCES
UNLESS OTHERWISE SPECIFIED

ALL DIMENSIONS IN MM
ALL LINEAR DIMENSIONS ±0.4
ALL ANGLE DIMENSIONS ±0.5°
BREAK ALL SHARP EDGES 0.5

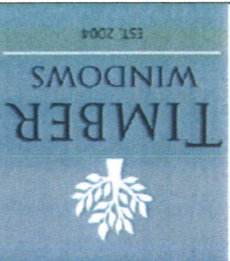
PRODUCT RANGE: FLUSH CASEMENT (Ovolo)
14mm Narrow Cavity Unit

TITLE
VERTICAL SECTION DETAIL
- WITH TRANSOM

ALL MEASUREMENTS ARE FINISHED DIMENSIONS IN MM.

DO NOT SCALE DRAWING!

DRAWN BY: LH DATE DRAWN: 01/08/2019 SCALE: 1:3, 1:10
Dir A3

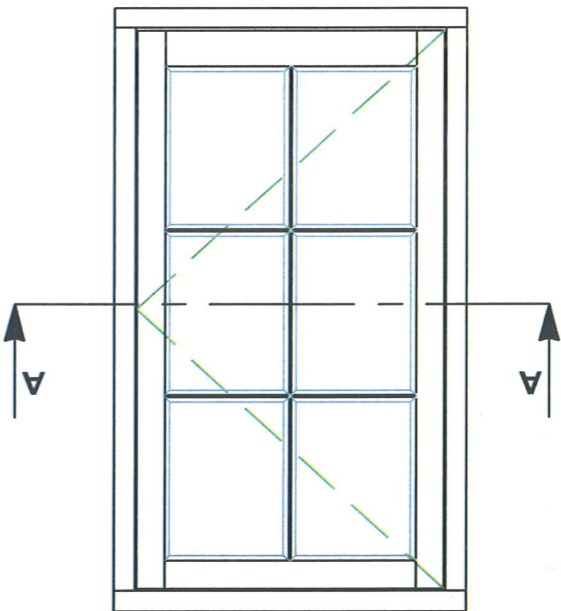


TOLERANCES
UNLESS OTHERWISE SPECIFIED

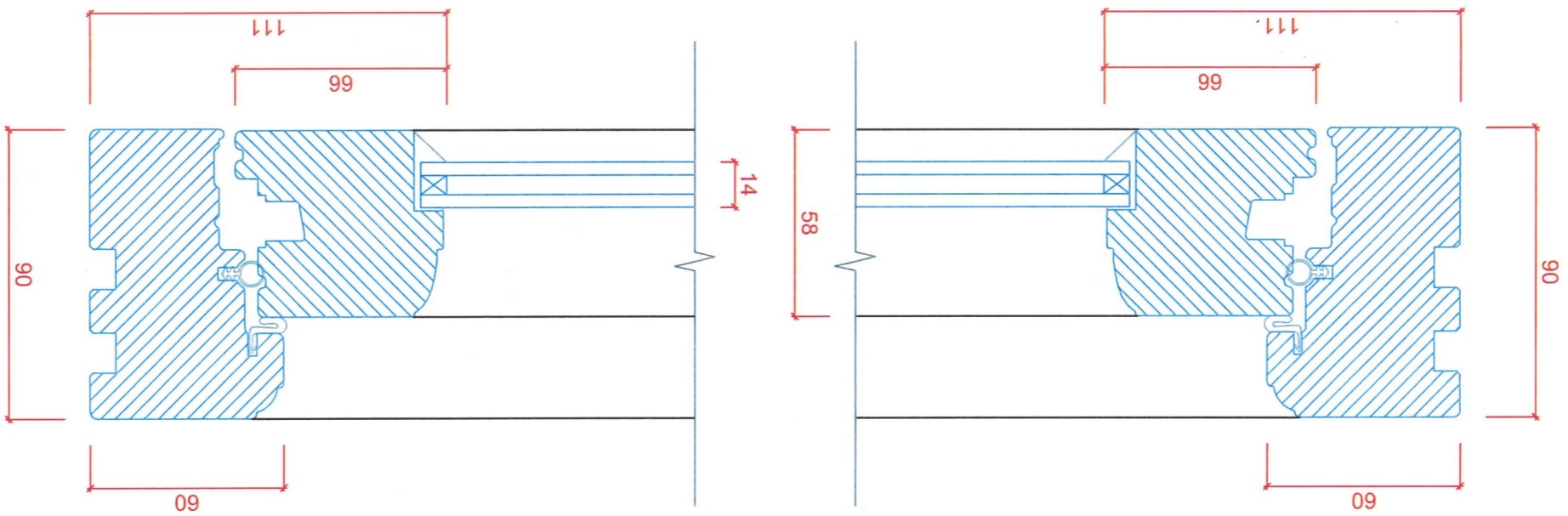
ALL DIMENSIONS IN MM
ALL LINEAR DIMENSIONS ±0.4
ALL ANGLE DIMENSIONS ±0.5
BREAK ALL SHARP EDGES 0.5

PRODUCT RANGE: FLUSH CASEMENT (Ovolo) 14mm Narrow Cavity Unit	TITLE HORIZONTAL SECTION DETAIL - JAMBS	DRAWN BY: LH DATE DRAWN: 01/08/2019 SCALE: 1:2, 1:15
--	--	--

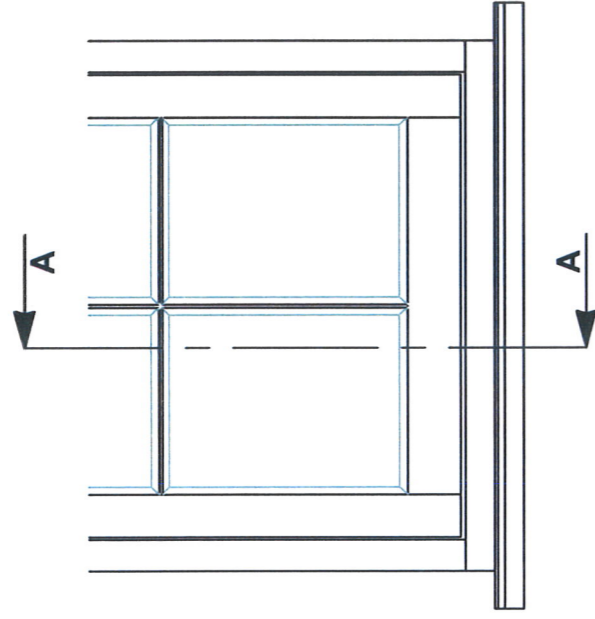
TYPICAL CASEMENT LAYOUT



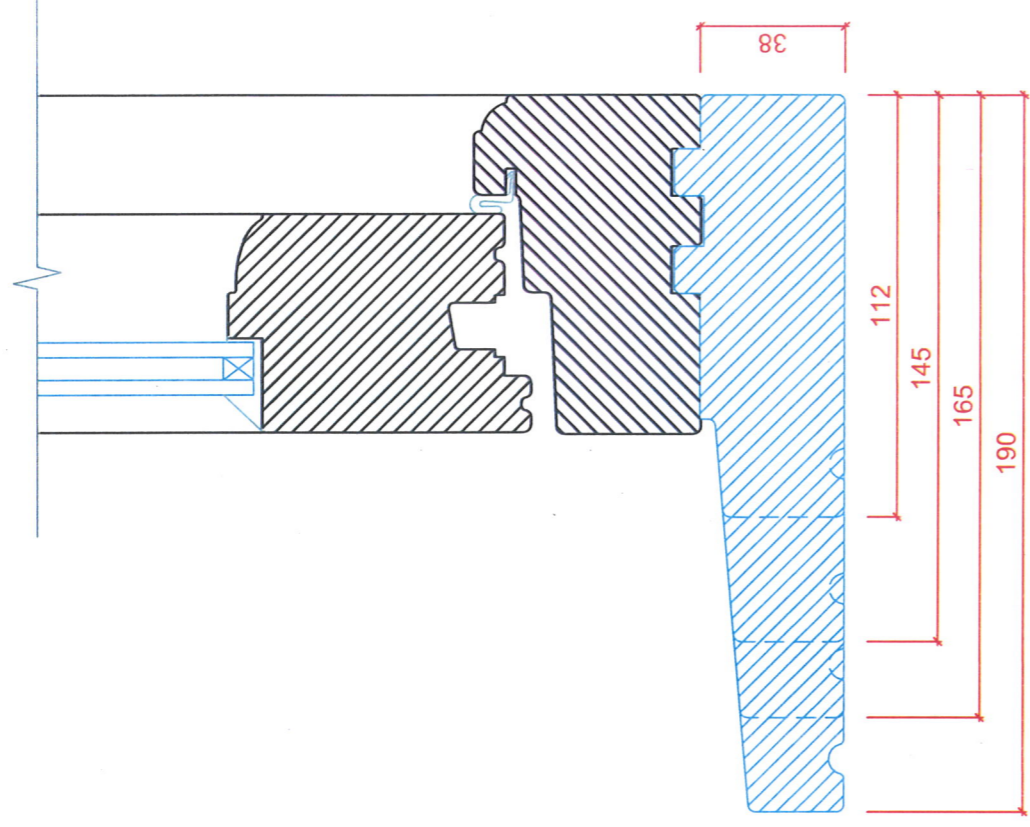
CASEMENT CROSS SECTION 'A-A'



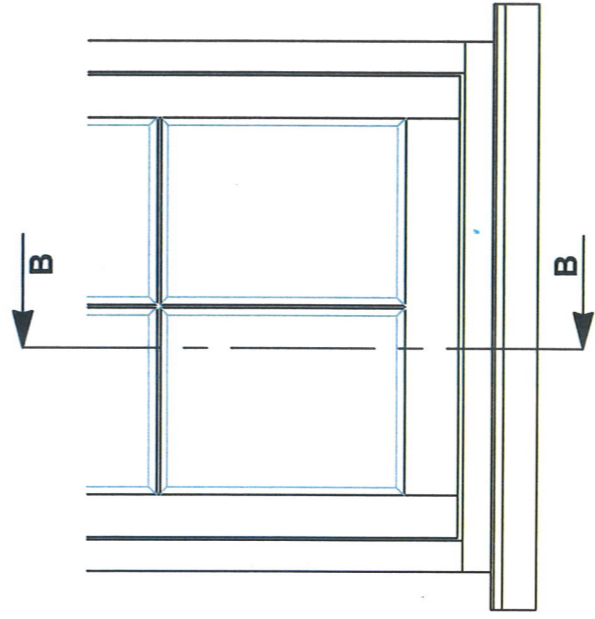
THIS DRAWING AND SPECIFICATIONS ARE THE PROPERTY OF THE PERFORMANCE WINDOW GROUP. THEY ARE ISSUED IN STRICT CONFIDENCE AND SHALL NOT BE REPRODUCED, COPIED OR USED AS THE BASIS FOR MANUFACTURING WITHOUT WRITTEN PERMISSION.



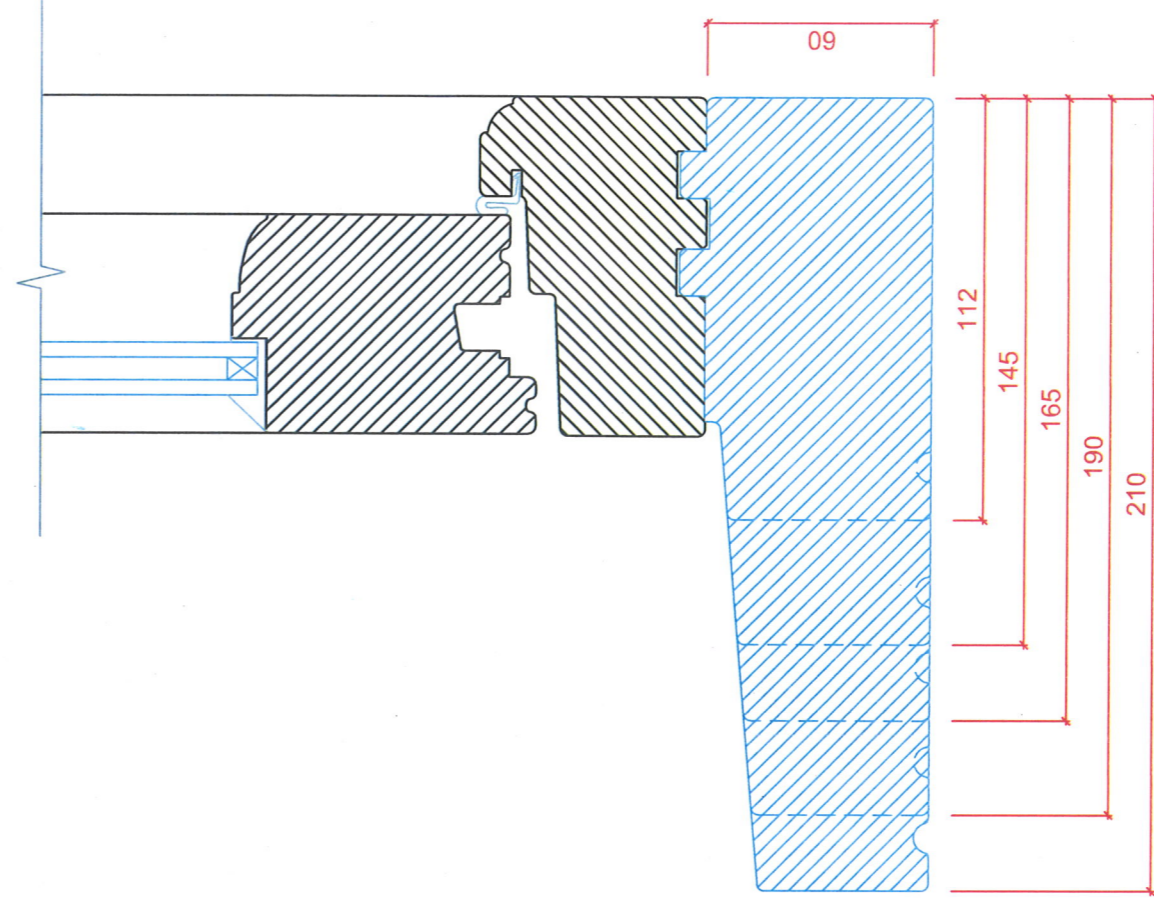
**38mm CILL ELEVATION WITH
50mm HORNS L+R**



38mm CILL OPTIONS SECTION 'A-A'



**60mm CILL ELEVATION WITH
50mm HORNS L+R**



60mm CILL OPTIONS SECTION 'B-B'



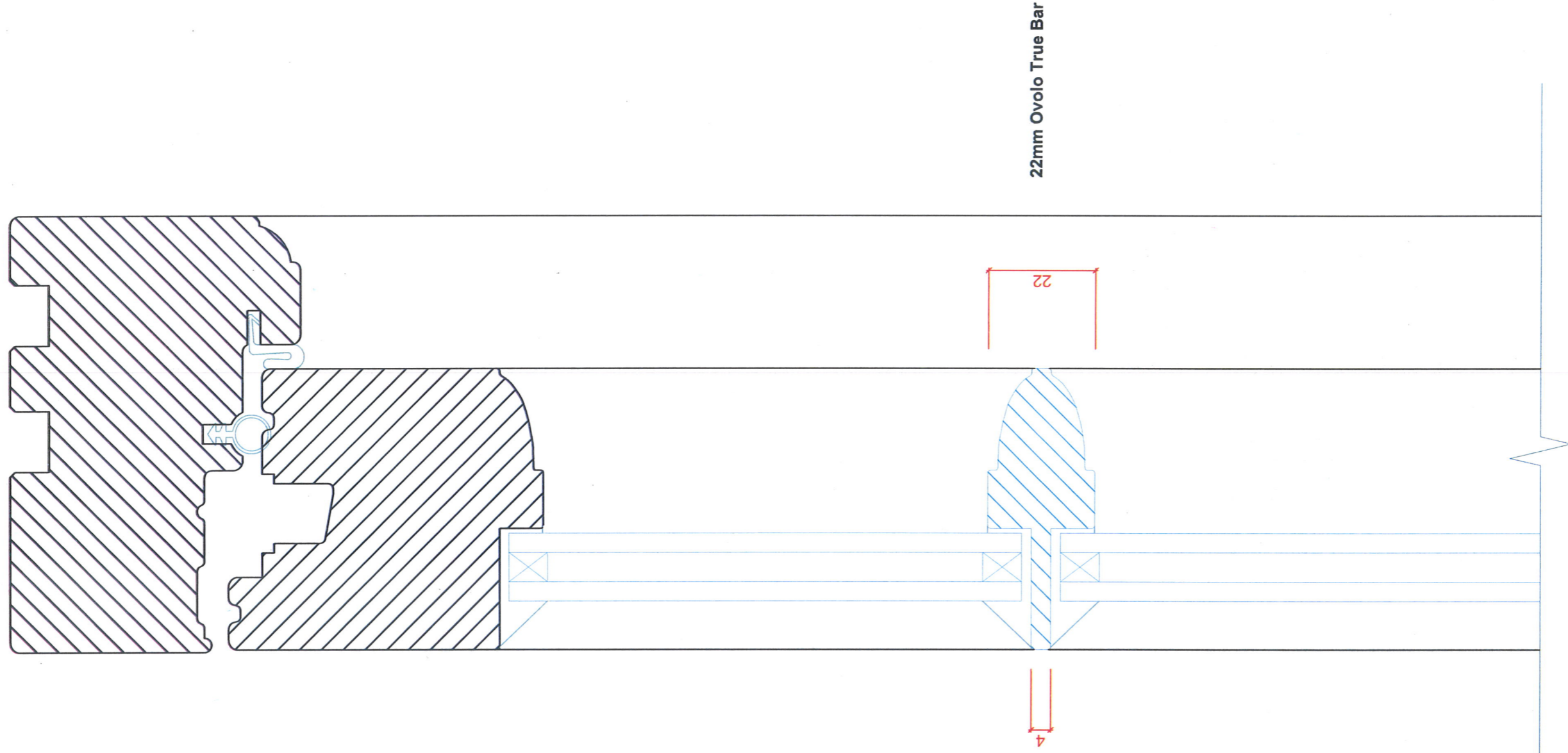
TOLERANCES
UNLESS OTHERWISE SPECIFIED

ALL DIMENSIONS IN MM
ALL LINEAR DIMENSIONS ±0.4
ALL ANGLE DIMENSIONS ±0.5°
BREAK ALL SHARP EDGES 0.5

PRODUCT RANGE: **FLUSH CASEMENT (Ovo/o)**
14mm Narrow Cavity Unit

TITLE
**VERTICAL SECTION DETAIL
- CILL OPTIONS**

THIS DRAWING AND SPECIFICATIONS ARE THE PROPERTY OF THE PERFORMANCE WINDOW GROUP. THEY ARE ISSUED STRICTLY IN CONFIDENCE AND SHALL NOT BE REPRODUCED, COPIED OR USED AS THE BASIS FOR MANUFACTURING WITHOUT WRITTEN PERMISSION.



TOLERANCES
UNLESS OTHERWISE SPECIFIED

ALL DIMENSIONS IN MM
ALL LINEAR DIMENSIONS ± 0.4
ALL ANGLE DIMENSIONS $\pm 0.5^\circ$
BREAK ALL SHARP EDGES 0.5

PRODUCT RANGE:
FLUSH CASEMENT (Ovolo)
14mm Narrow Cavity Unit

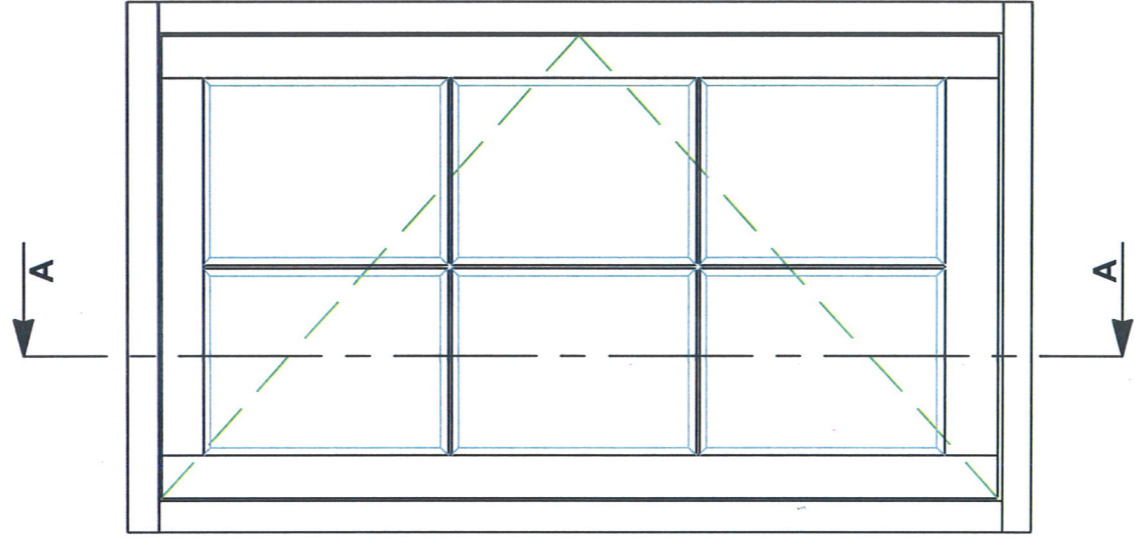
TITLE
VERTICAL SECTION DETAIL
- OVULO TRUE BAR DETAIL

ALL MEASUREMENTS ARE FINISHED DIMENSIONS IN MM.

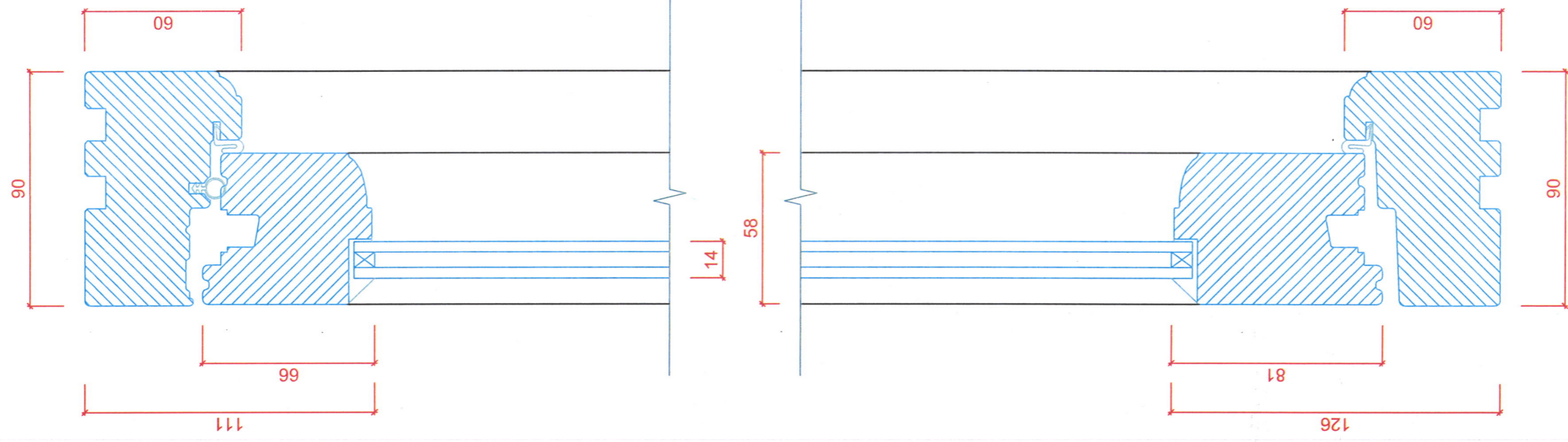
DO NOT SCALE DRAWING!

DRAWN BY: LH DATE DRAWN: 01/08/2019 SCALE: 1:1
Din A3

THIS DRAWING AND SPECIFICATIONS ARE THE PROPERTY OF THE PERFORMANCE WINDOW GROUP. THEY ARE ISSUED IN STRICT CONFIDENCE AND SHALL NOT BE REPRODUCED, COPIED OR USED AS THE BASIS FOR MANUFACTURING WITHOUT WRITTEN PERMISSION.



TYPICAL CASEMENT LAYOUT



CASEMENT CROSS SECTION 'A-A'



TOLERANCES
UNLESS OTHERWISE SPECIFIED

ALL DIMENSIONS IN MM
ALL LINEAR DIMENSIONS ±0.4
ALL ANGLE DIMENSIONS ±0.5°
BREAK ALL SHARP EDGES 0.5

PRODUCT RANGE: FLUSH CASEMENT (Ovolo)
14mm Narrow Cavity Unit

TITLE
VERTICAL SECTION DETAIL
- TOP AND BOTTOM RAIL

ALL MEASUREMENTS ARE FINISHED DIMENSIONS IN MM.

DO NOT SCALE DRAWING!

DRAWN BY: LH DATE DRAWN: 01/08/2019 SCALE: 1:2, 1:10
Din A3