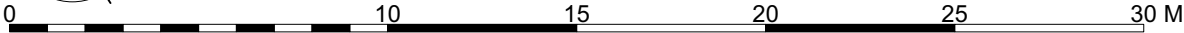
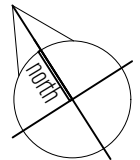
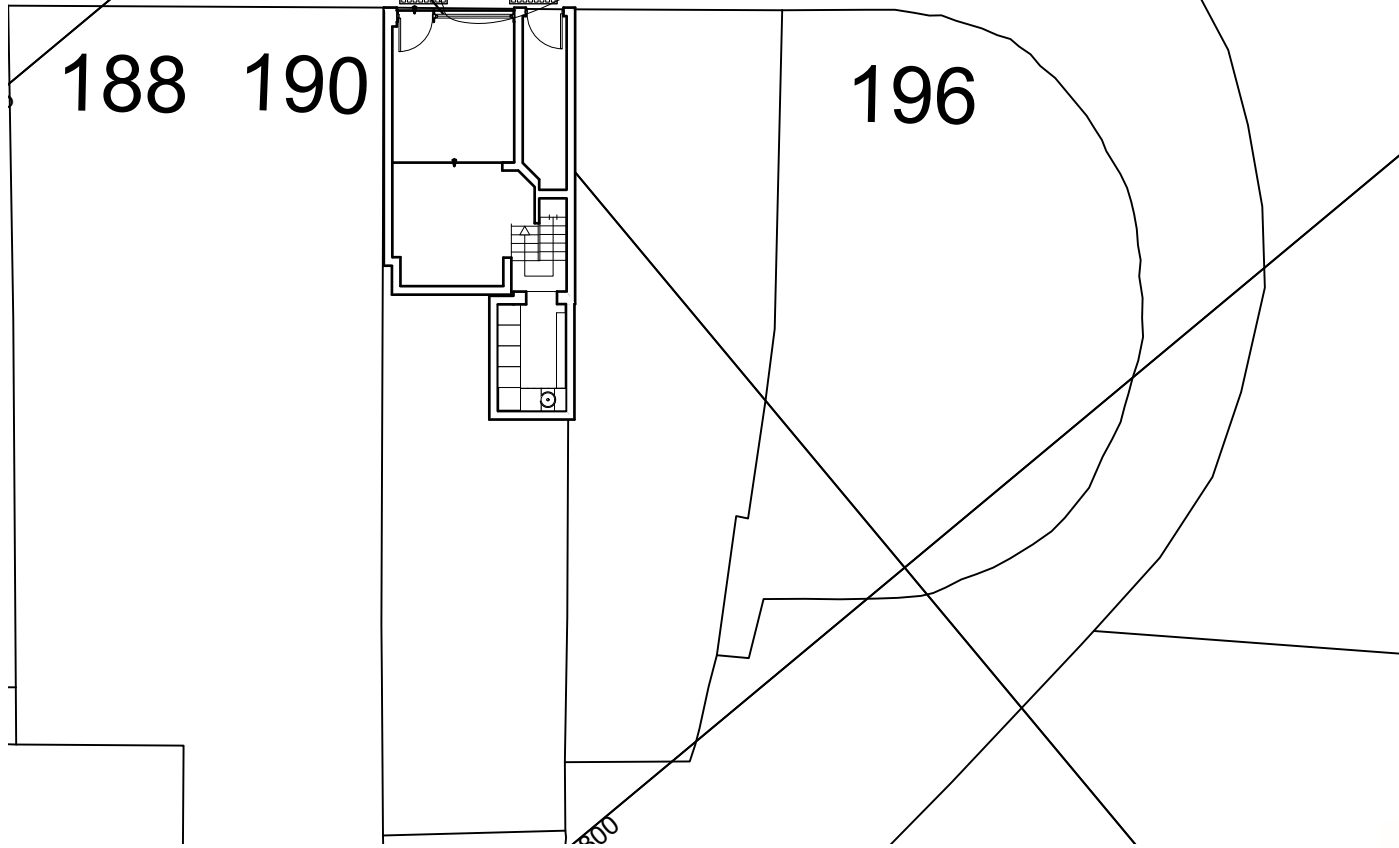


LOWER ROAD



SCALE BAR

SEAM ARCHITECTS

Revisions and Notes	14/10/2021
1 Planning Issue	

192 Lower Rd

PLANNING ISSUE

size ISO A4	scale 1:200	no P002	title Block Plan
date 15/10/21	Revision P 1	file ref A4380	client &AND Investments

SEAM architects ltd. copyright 2021. This drawing must not be reproduced in part or whole without prior written consent. Do Not scale from this drawing. Check and confirm all dimensions on site prior to commencing work. IF IN DOUBT ASK.