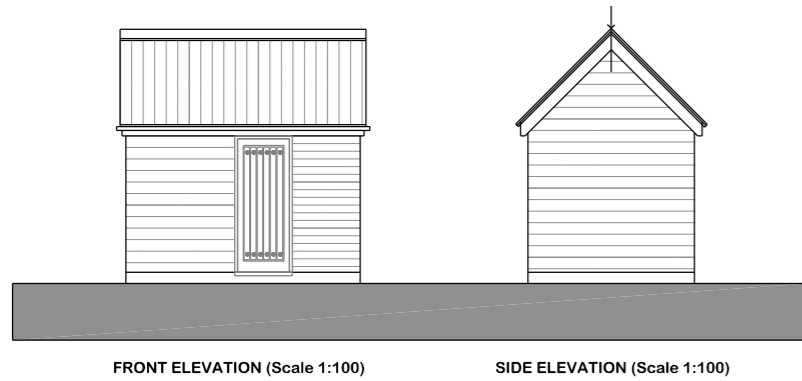
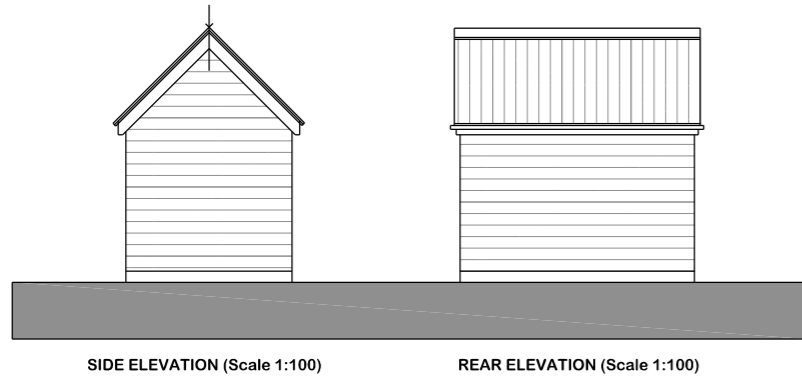


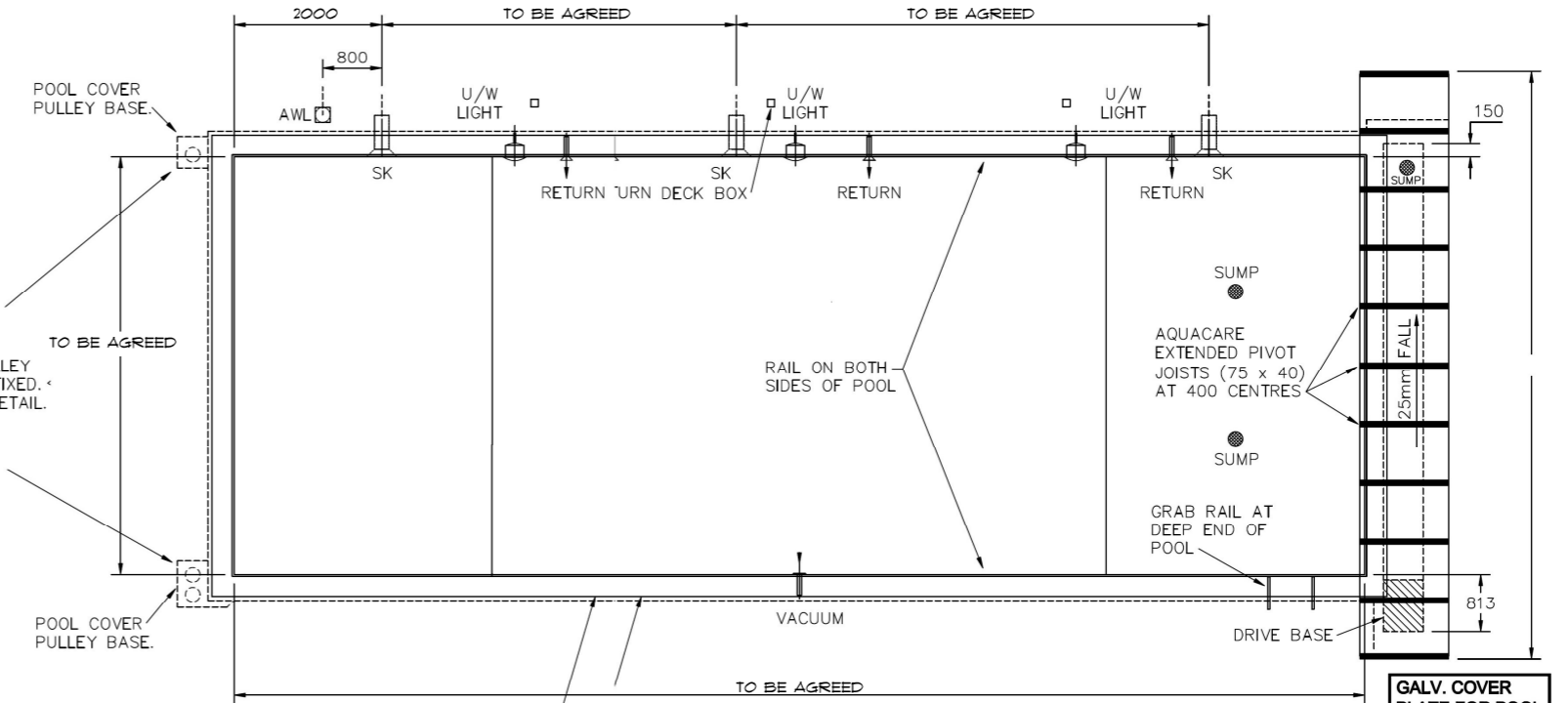
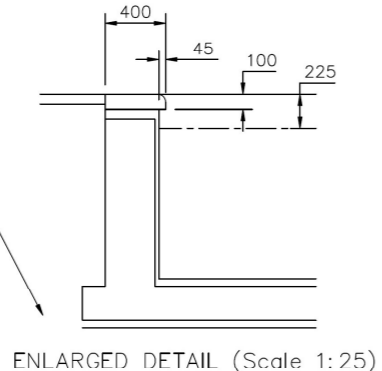
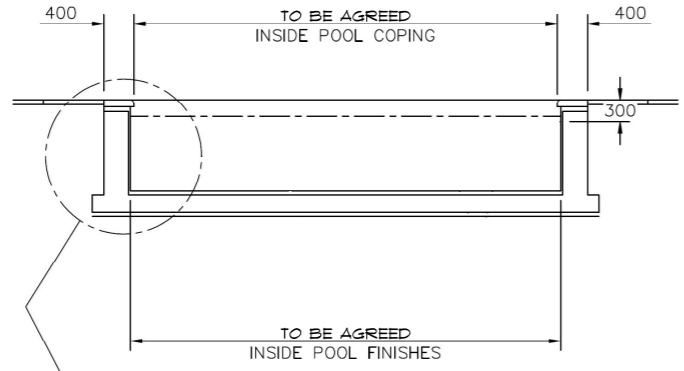
PROPOSED SWIMMING POOL TO MILLHOUSE BLACKWATER LYNDHURST HANTS SO43 TFL



ONDULINE OR SIMILAR CORRUGATED ROOFING
 HORIZONTAL STAINED BOARDING
 BRICK PLINTH / CONCRETE BASE

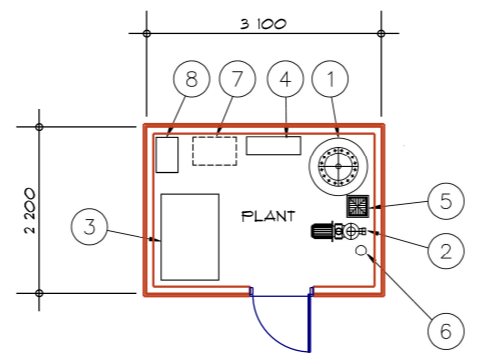
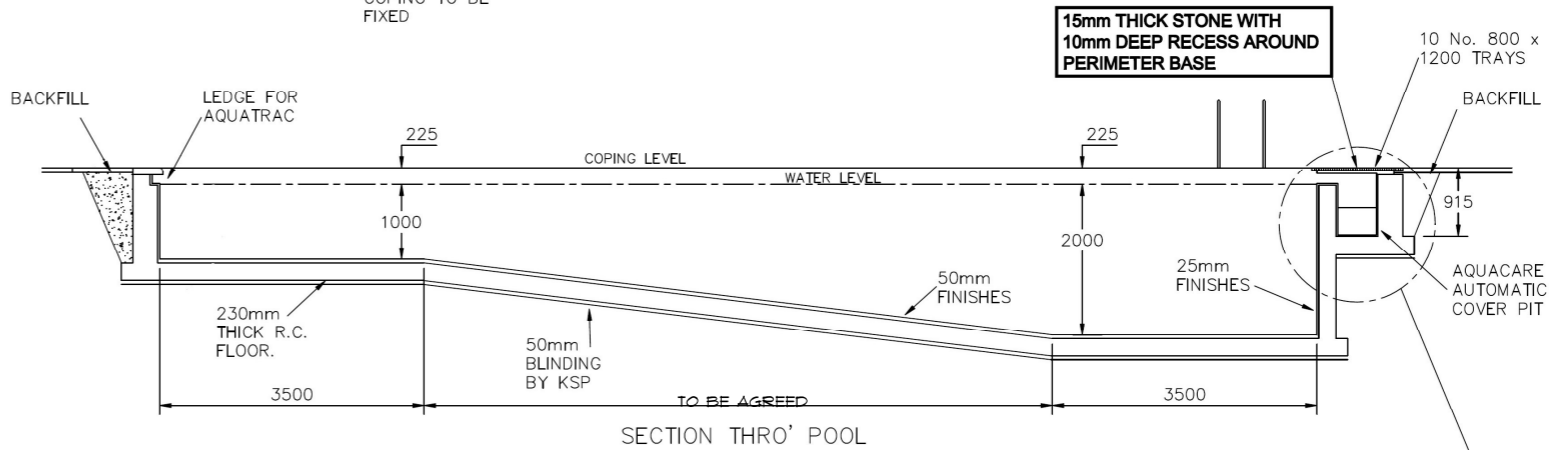


PLANT ROOM (SHED) (Scale 1:100)



NOTE: POOL COVER PULLEY BASE LIDS ARE FIXED. SEE SEPARATE DETAIL.

FREE ISSUE COPING TO BE FIXED



- KEY
- ① 1 NO. 80MM DIA FILTER
 - ② 1 NO. FILTER PUMP
 - ③ GEOTHERMAL HEAT PUMP UNIT
 - ④ ELECTRICAL CONTROL PANEL
 - ⑤ BACKWASH GULLY
 - ⑥ DRY EROSION FEEDER CL220
 - ⑦ BREAK TANK AT HIGH LEVEL
 - ⑧ ELECTRIC HEATER

