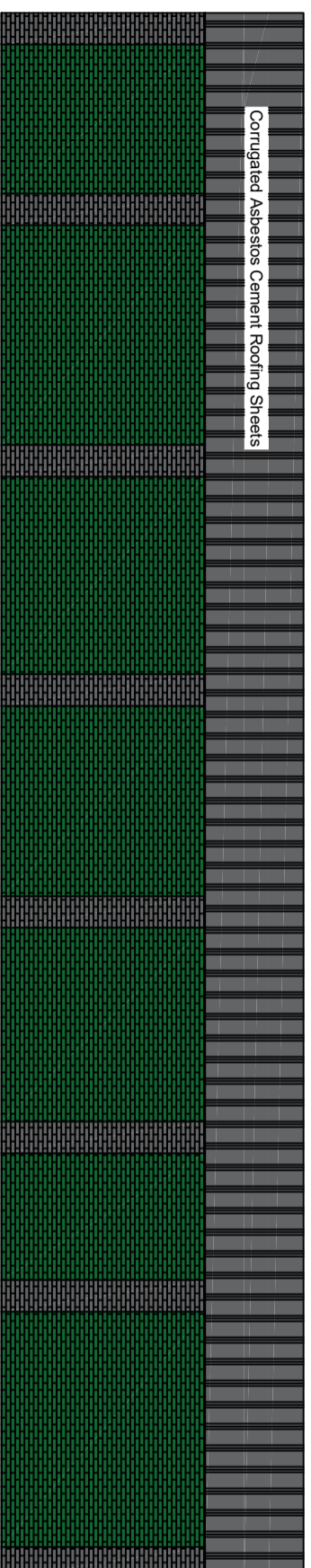
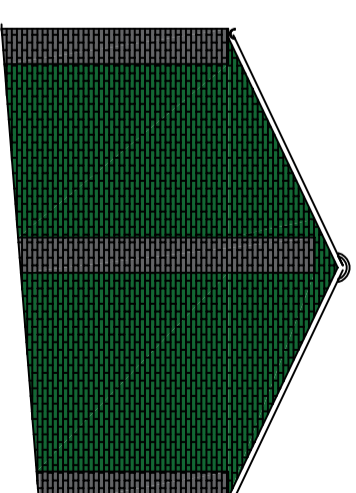


COW SHED PLANS

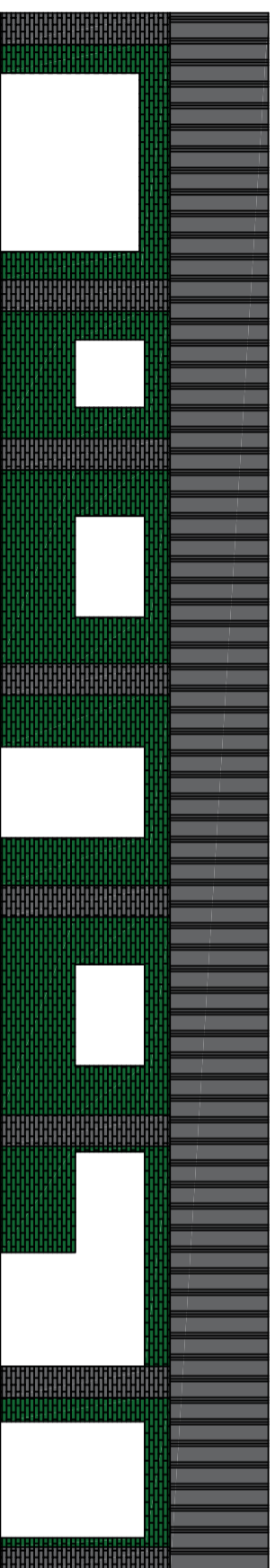
Existing North Elevation (Field)



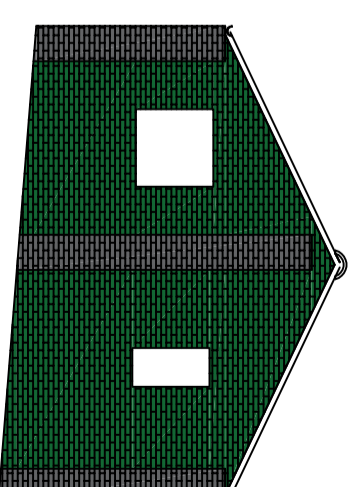
Existing West Elevation (Field)



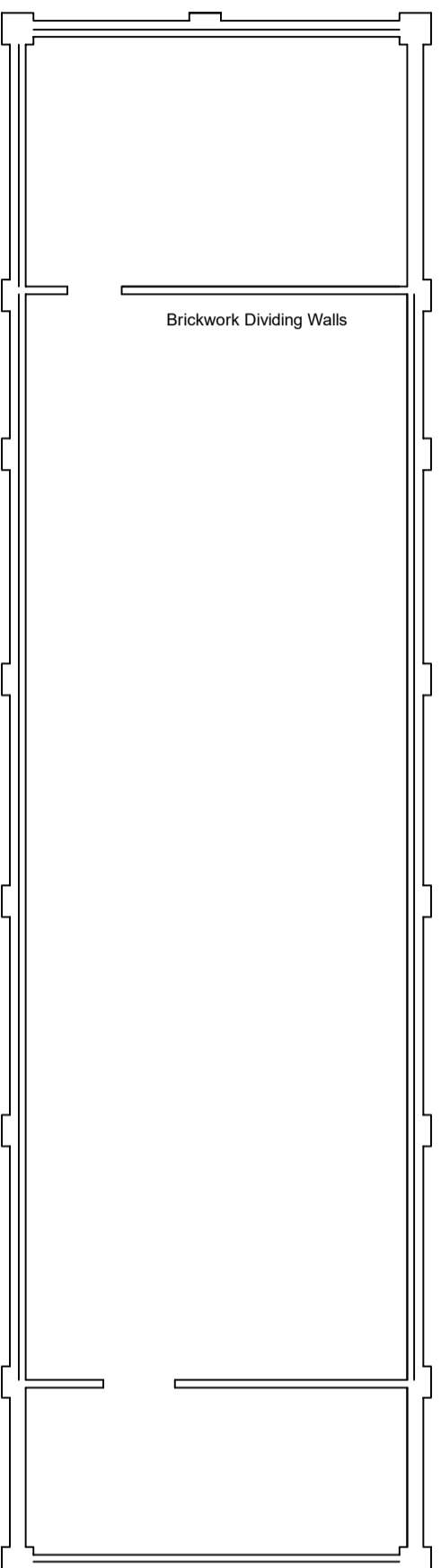
Existing South Elevation (Yard)



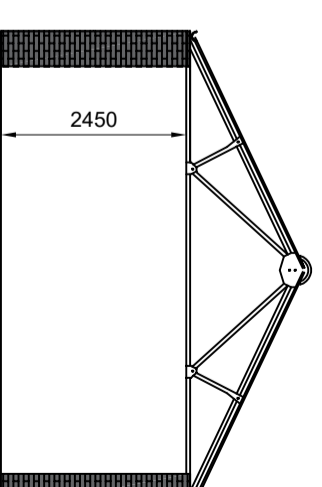
Existing East Elevation (Road)



Existing Floor Plan



Typical Cross Section



Existing Elevations &
Floor Plan
1:100 @A3

