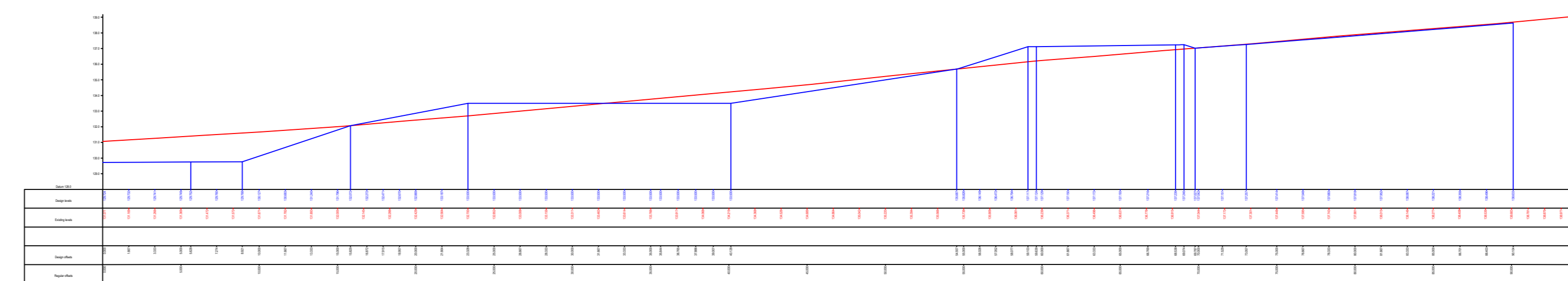
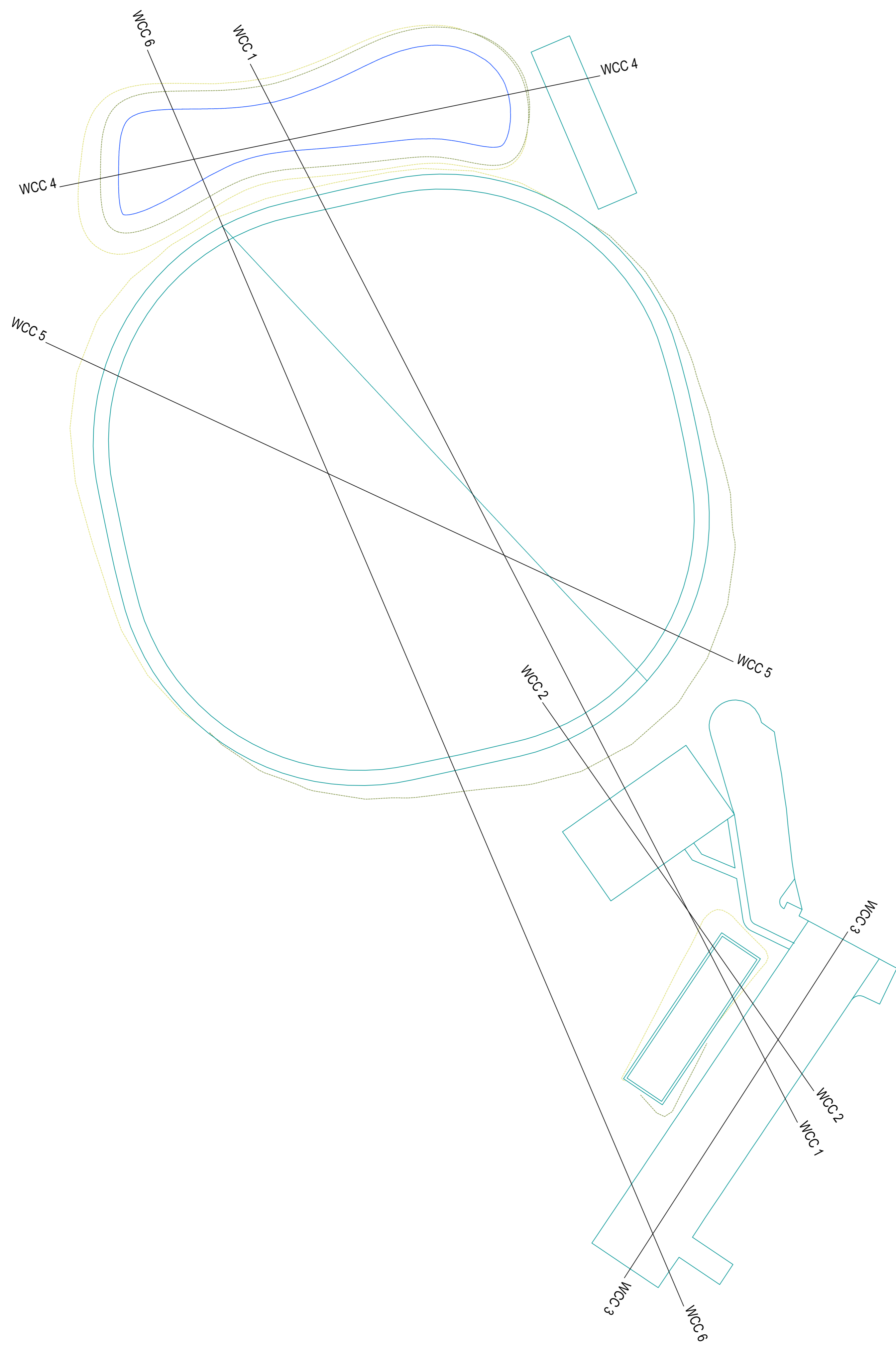
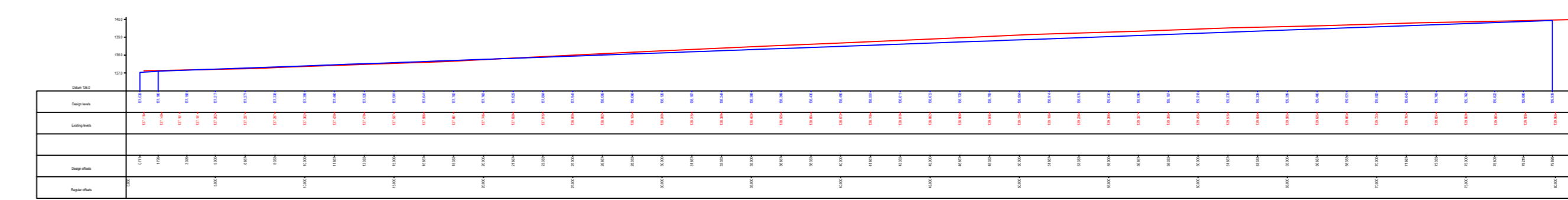


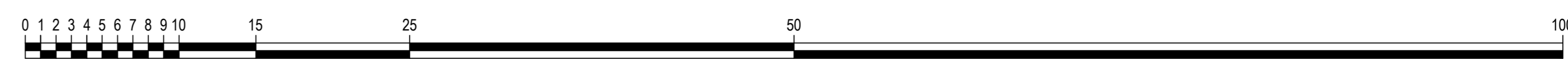
WCC 1



WCC 2



WCC 3



scale bar - metres

rev	detail	by	date	notes
-	-	-	-	-

Blue - proposed profile  
Red - existing profile

Copyright Agripower Ltd. 2018. All rights reserved. Except as permitted by the Copyright, Design and Patents Act 1988, no part of this document may be reproduced, stored, transmitted or distributed in any form or by any means, whether electronic, mechanical, by photocopy, recording or otherwise, without prior permission of a director. Except where otherwise expressly agreed in writing, Agripower Ltd. shall have no responsibility or liability for any loss (direct, consequential or otherwise) which may arise from the reliance on or use of this document or the information contained in it. Crown Copyright 2018. All rights reserved. Licence number: 100022432

project file	Wendover Cricket Club Relocation Scheme	
drawing title	Section Drawings	

drawing no.	21045 - 04 S1	
drawing status	planning	revision
date	17.9.21	scale
drawn	JA	checked
EM		

client	Wendover Cricket Club	
Agripower Ltd. Broomfield Farm, Rignall Road Great Missenden, Bucks HP16 9PE 01494 865776 info@agripower.co.uk - www.agripower.co.uk		