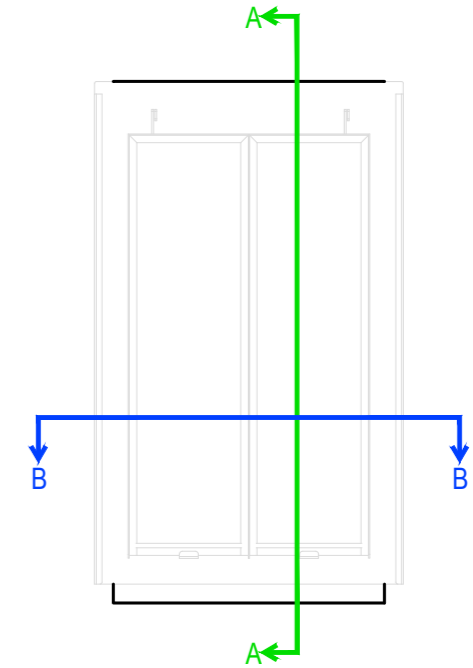
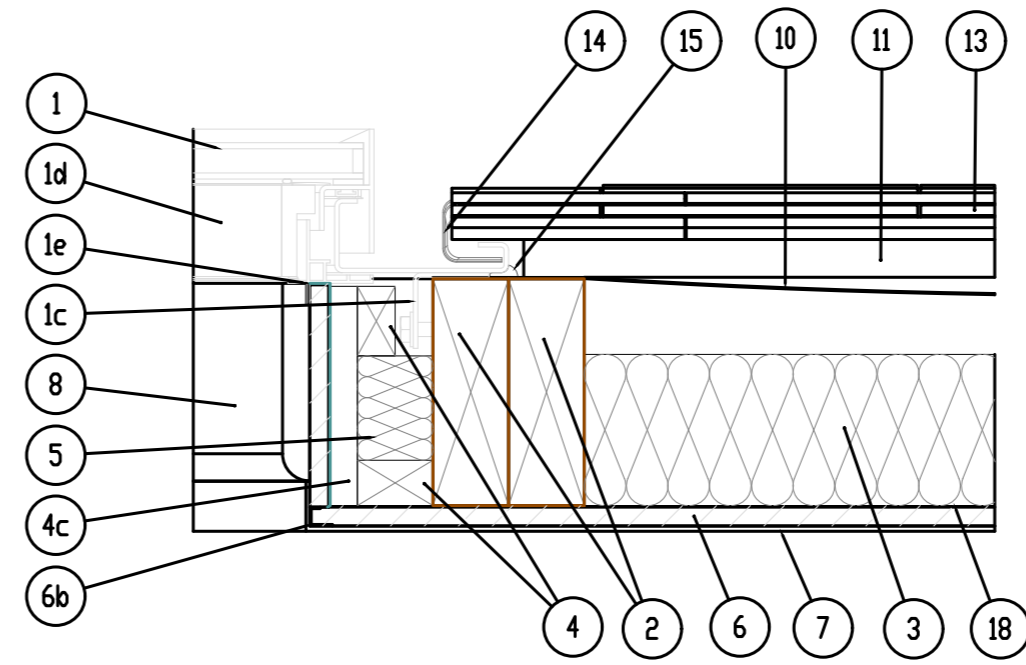
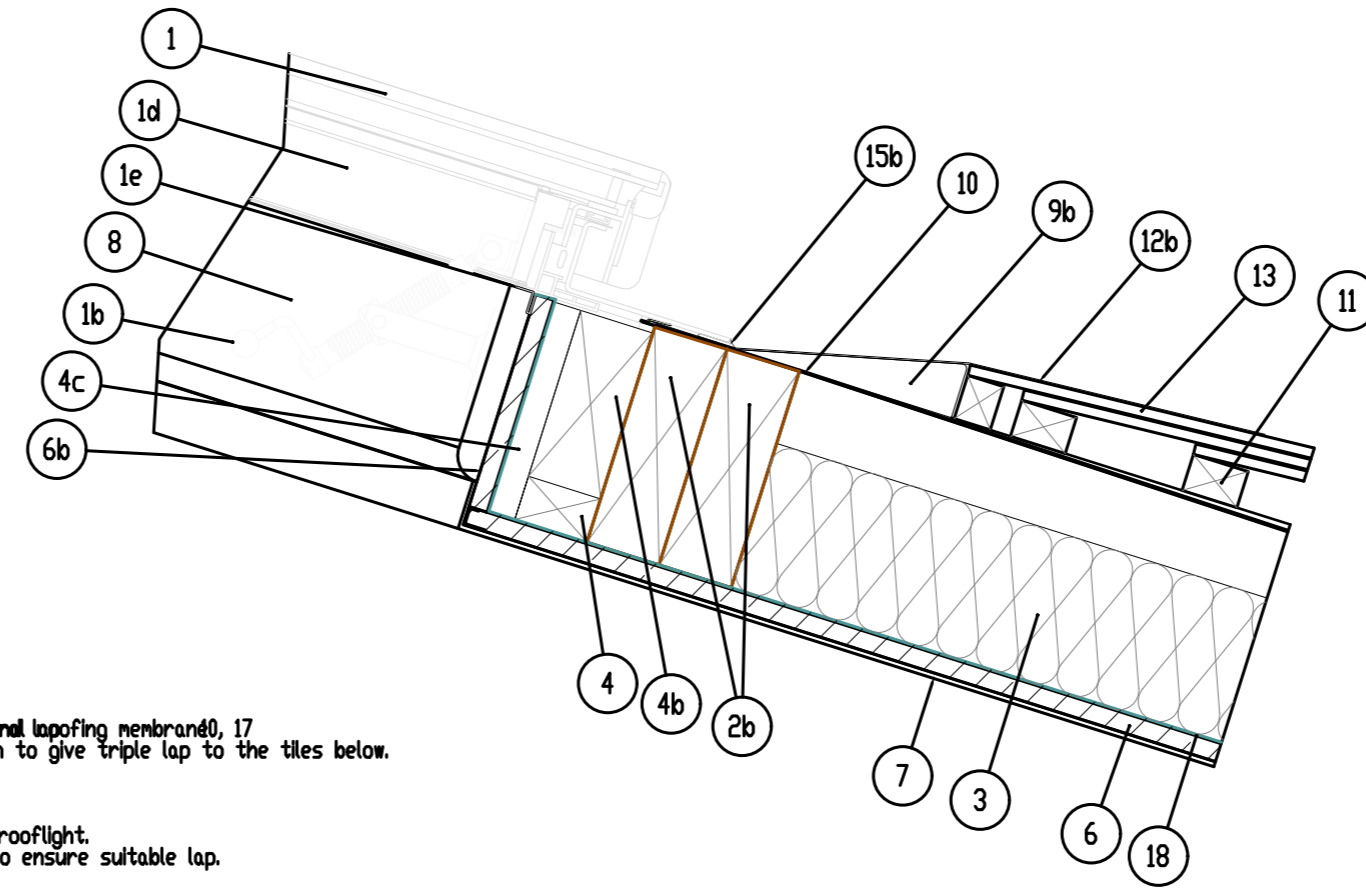
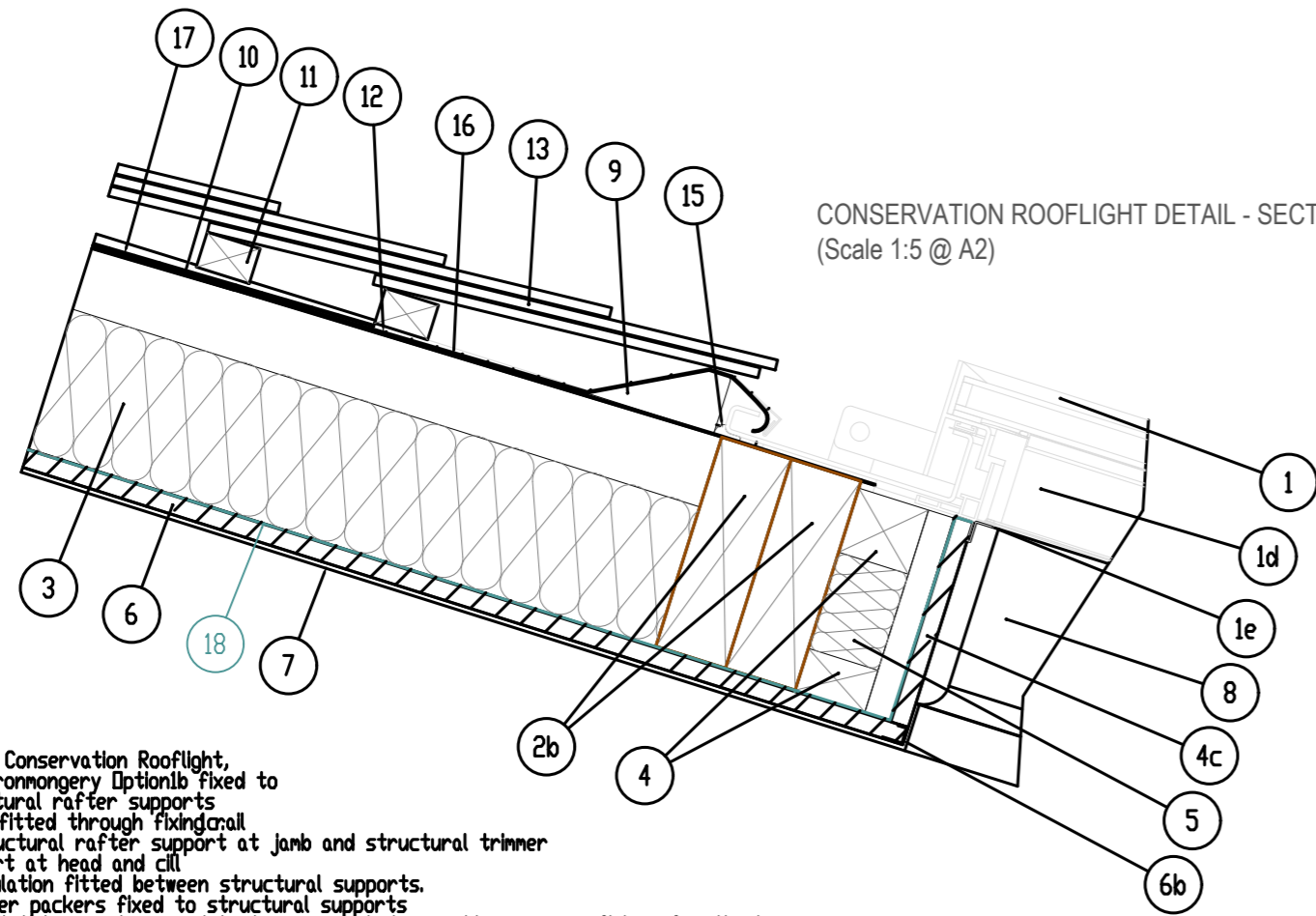


CONSERVATION ROOFLIGHT DETAIL - SECTION B-B  
(Scale 1:5 @ A2)



CONSERVATION ROOFLIGHT ELEVATION (R1 - 8)  
(Not to scale)

CONSERVATION ROOFLIGHT DETAIL - SECTION A-A  
(Scale 1:5 @ A2)

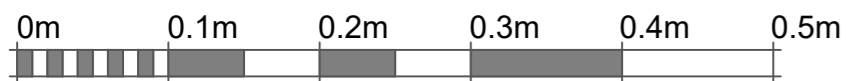


**Key:**

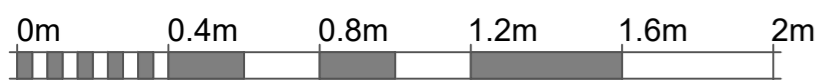
1. The Conservation Rooflight, with Ironmongery Option**b** fixed to structural rafter supports bolts fitted through fixing detail
2. Structural rafter support at jamb and structural trimmer support at head and cill
3. Insulation fitted between structural supports.
4. Timber packers fixed to structural supports  
The cill timber packer must be large enough to provide a secure fixing for the Ironmongery  
Fix 18mm timber packer 4c to the timber packers.
5. Fit insulation between the timber packers
6. Plasterboard lining with plasterboard stop the thermoliner of the roof window
7. Plaster skin.
8. Timber reveal to align with rooflight linings  
Rooflight linings **MUST BE PAINTED** with a timber finishing paint once the rooflight is installed to ensure longevity of this component. If the linings **Id** have been factory painted, they do not require an additional paint finish.  
Please refer to label attached to roof window frame.
9. Head hardwood tilting fillet.
- 9b. Cill hardwood tilting fillet - to provide minimum 5 degree fall for shedding rain water.
- 10 & 17. Line of general roofing membrane.
11. Softwood battens.
12. Code 3 (consider using code 4 and clipping down roof tiles in severer exposures) lead flashing at head. Carry flashing up the roof to meet lap of membrane 17
- 12b. Code 4 (consider clipping flashing and roof tiles down in severer exposures) lead flashing at cill over tilting fillet flashing long enough to give triple lap to the tiles below.
13. Roofing tiles.
14. Jamb flashing - lead soakers as shown (or mortar bed).
15. Perimeter silicone seal. Seal perimeter of rooflight **PRIOR TO** installation of the rooflight using a thick continuous bead of low modulus neutral cure silicone sealant. Ensure sealant is indicated in a position where it will be covered by the cill flange of the rooflight.
16. Roofing membrane to rooflight head. **DRYER** general roofing membrane 17, **UNDER** lead flashing 2 and **OVER** general roofing membrane 17 to ensure suitable lap.
18. Vapour barrier.

**Please Note:**

These sectional details are provided as an installation suggestion. Due to the differing nature of installations we strongly advise you to consult your rooflight installer to verify fitness for purpose. This drawing does not constitute a structural proposal. Sufficiency of structural supports to be checked by rooflight purchaser's structural consultant.



VISUAL SCALE 1:5



VISUAL SCALE 1:20

<b>PLANNING</b>	Job No.	1525	8 High Street, Collyweston, Stamford, PE9 3PW					
	Comments/Revision	Drawing No.	<b>Proposed Conservation Rooflight Details</b>					
	Notes:	07						
	N/A	Revision	RTK Stamford Ltd.					
	Scale	1:5/20 @ A2	Issue Date	07.10.2021	Drawn	S.A.P	RIBA Registered Practice	RICS

Drawing to be scaled for planning purposes only. All dimensions to be verified on site. All drawings are the copyright of RTK Stamford Ltd.