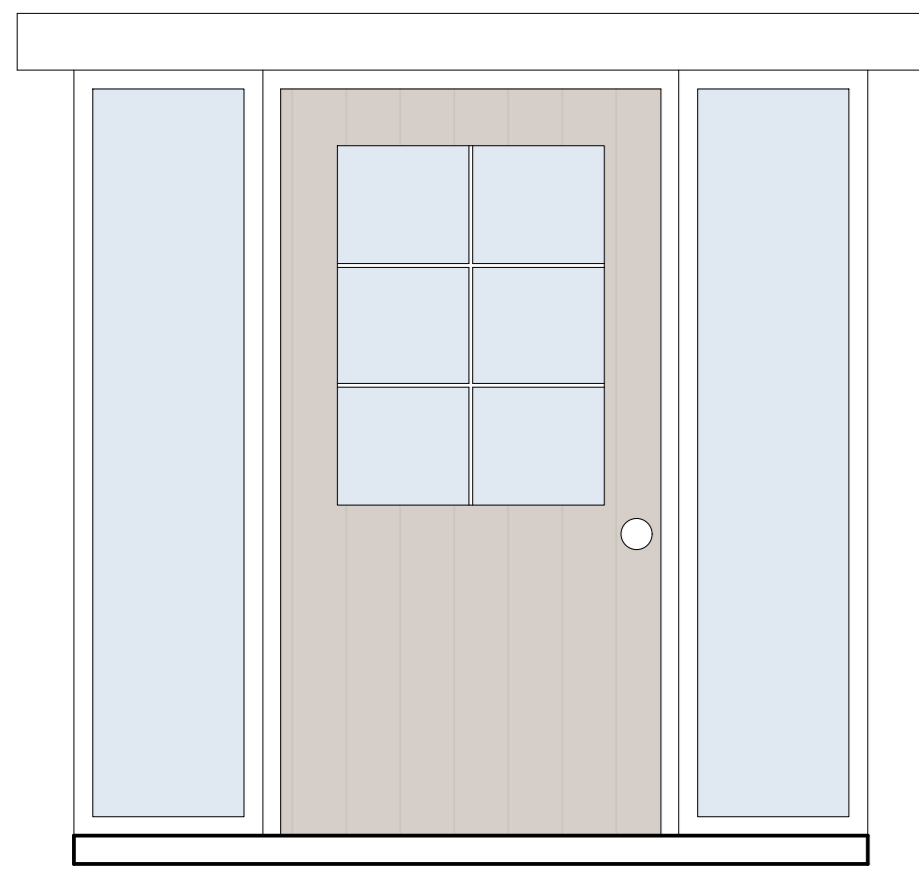
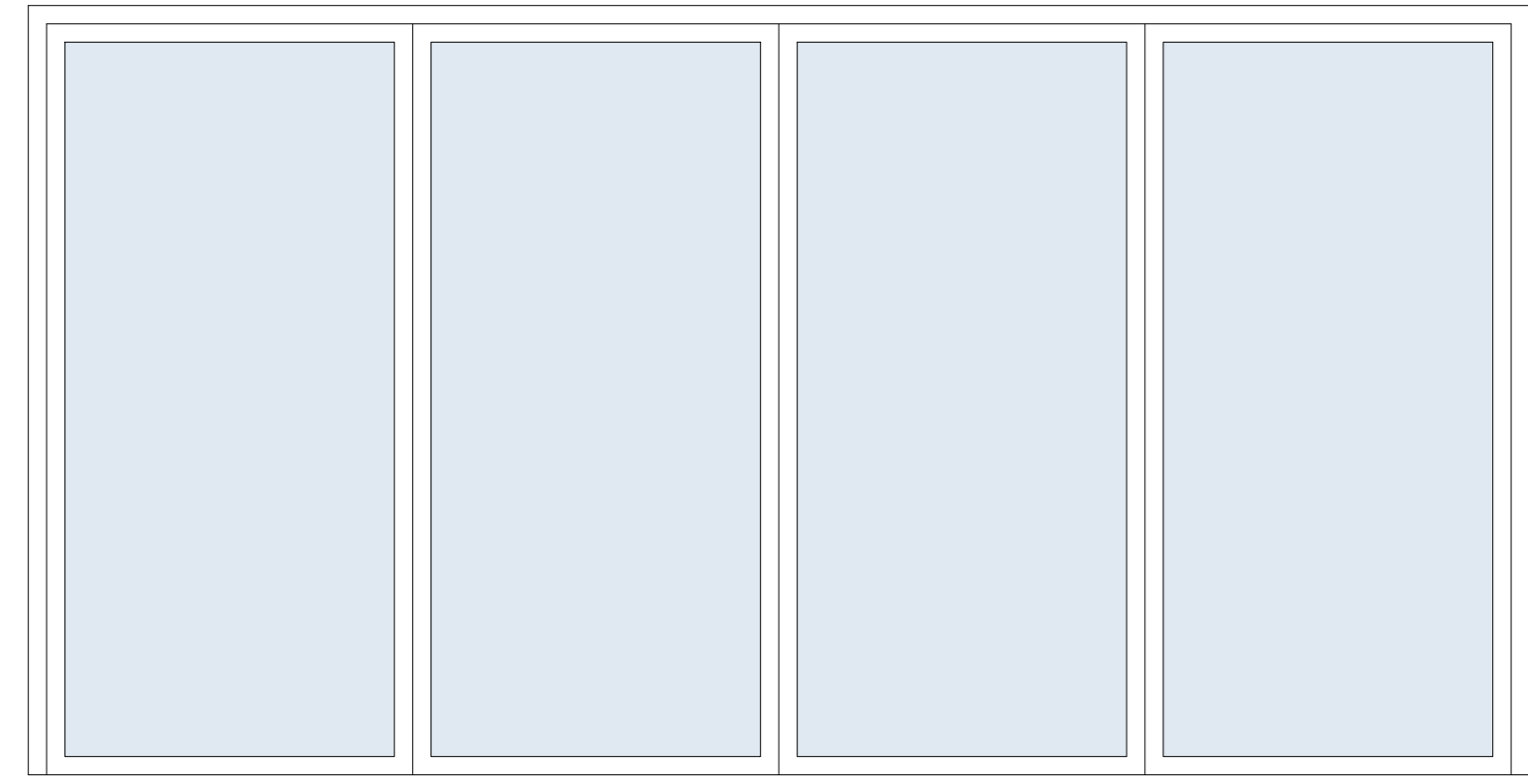


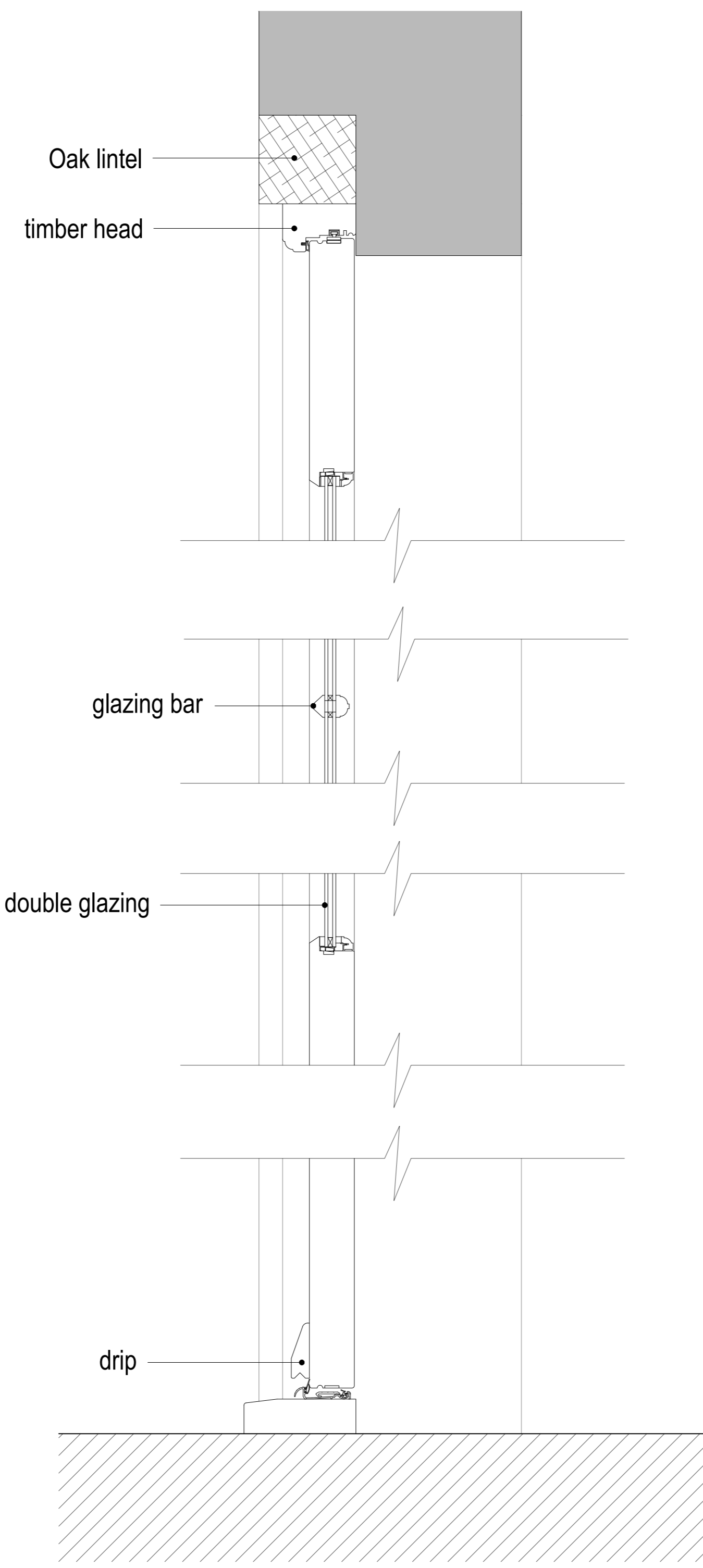
- NOTES:
- 1) New hardwood door frames
 - 2) All glazing clips, gaskets and weather seals and door furniture omitted for clarity
 - 3) Slim double glazed sealed unit to consist of 4mm glass / 6mm cavity / 4mm glass with warm edge spacer.
 - 4) Safety glass to be used in any critical locations in accordance with A D Part K.
 - 5) Door furniture to consist of a satin chrome finish.
 - 6) All opening sizes TBC prior to door production review.
 - 7) For details of door positions, please refer to drawing '1525 - 04'.
 - 8) Drawing produced for planning purposes only.



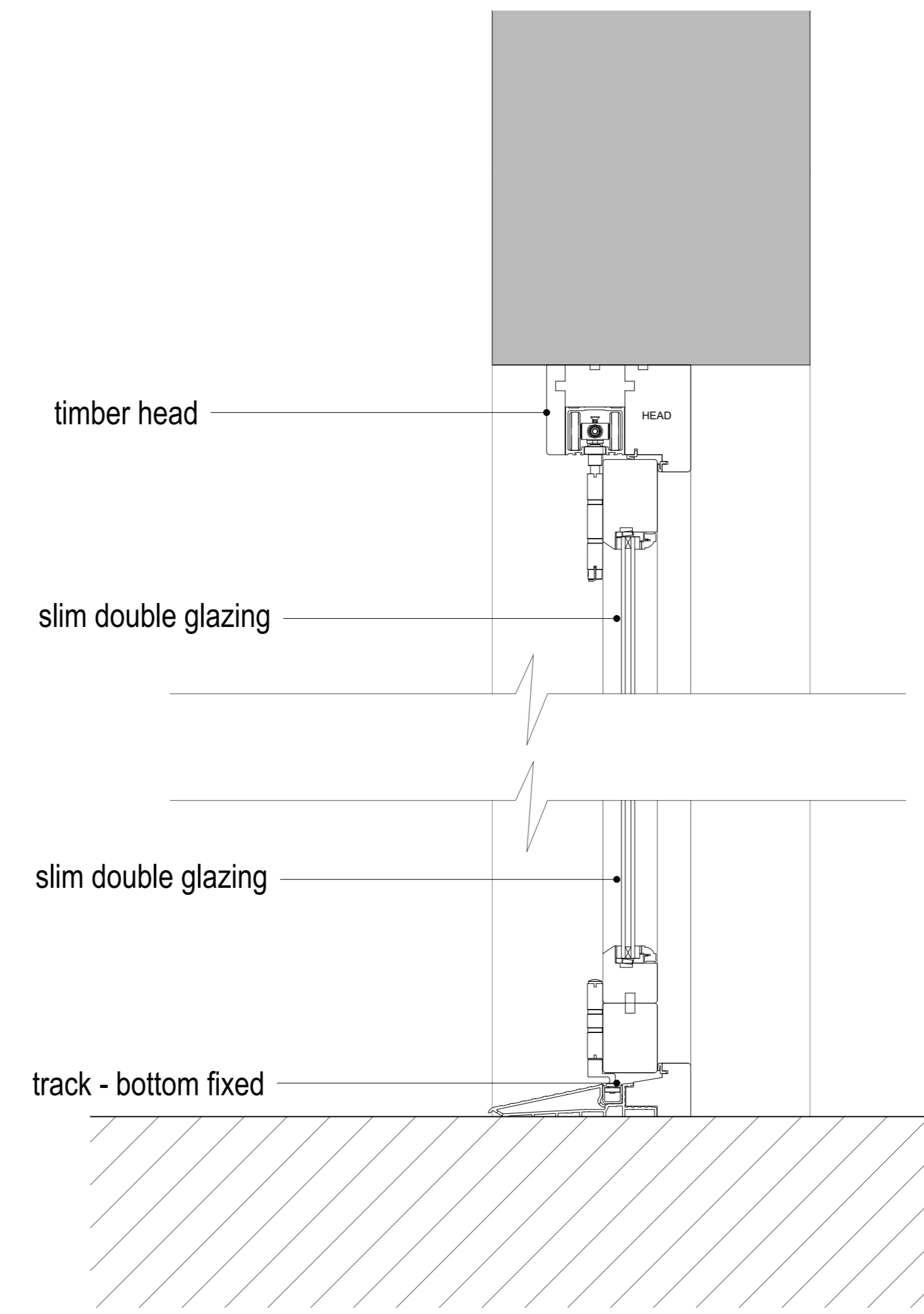
Door Type 1 (Scale 1:20 @ A0); (D1).



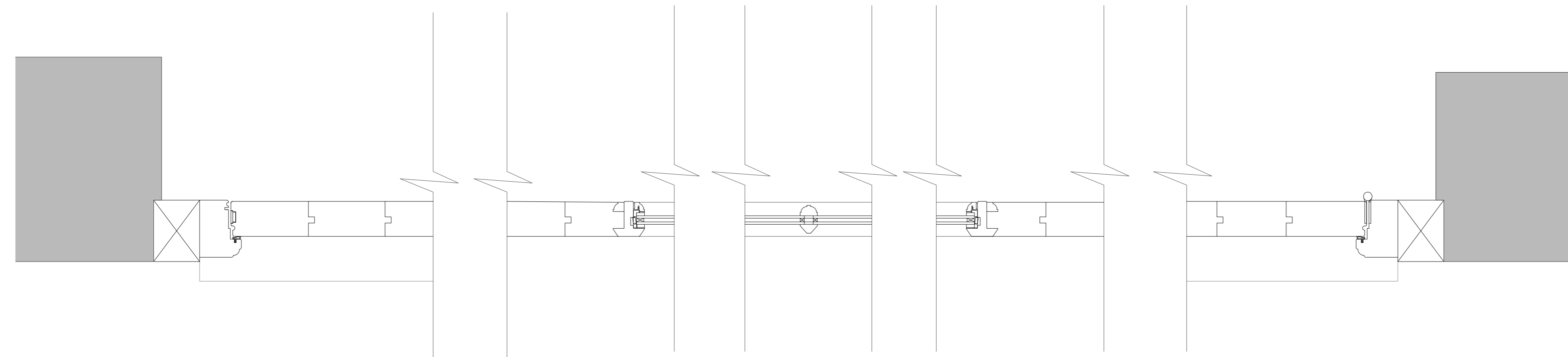
Door Type 2 (Scale 1:20 @ A0); (D2).



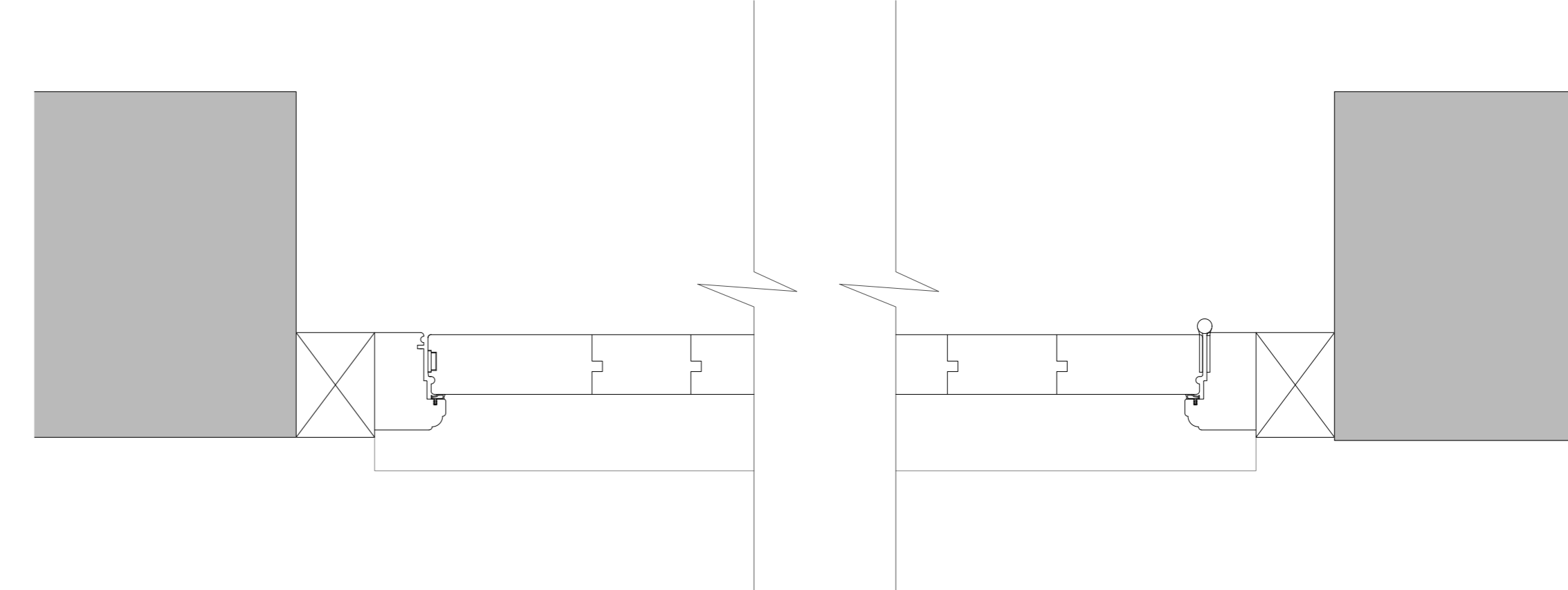
DOOR TYPE 1 DETAILS (SECTION)
(Scale 1:5 @ A0)



DOOR TYPE 2 DETAILS (SECTION)
(Scale 1:5 @ A0)

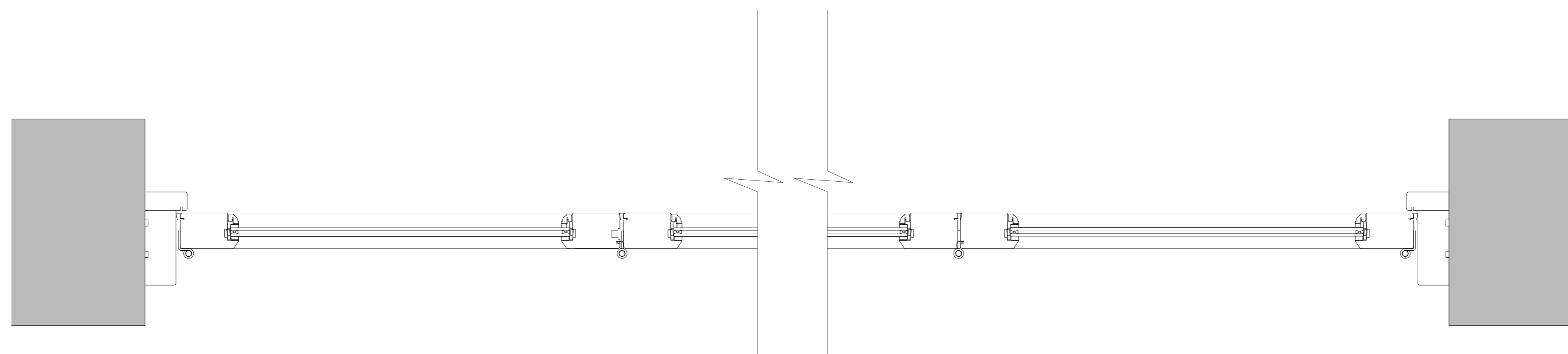


DOOR TYPE 1 DETAILS (PLAN)
(Scale 1:5 @ A0)



DOOR TYPE 1 DETAILS (PLAN)
(Scale 1:5 @ A0)

section through bottom boarding



DOOR TYPE 2 DETAILS (PLAN)
(Scale 1:5 @ A0)

0m 0.1m 0.2m 0.3m 0.4m 0.5m

VISUAL SCALE 1:5

0m 0.4m 0.8m 1.2m 1.6m 2m

VISUAL SCALE 1:20

PLANNING Comments/Revision: None N/A	Job No: 1525 Drawing No: 06 Revision: - Scale: 1:5/20 @ A0	8 High Street, Collyweston, Stamford, PE9 3PW Proposed Door Details RTK Stamford Ltd. <small>QUANTITY SURVEYORS & ARCHITECTS</small> <small>01753 461445 No.20 - REG. OFF.</small> <small>www.rtkstamford.co.uk</small>	
	Issue Date: 07.10.2021 Drawn: S.A.P.		

Drawing to be used for planning purposes only. All dimensions to be verified on site. All drawings are the copyright of RTK Stamford Ltd.