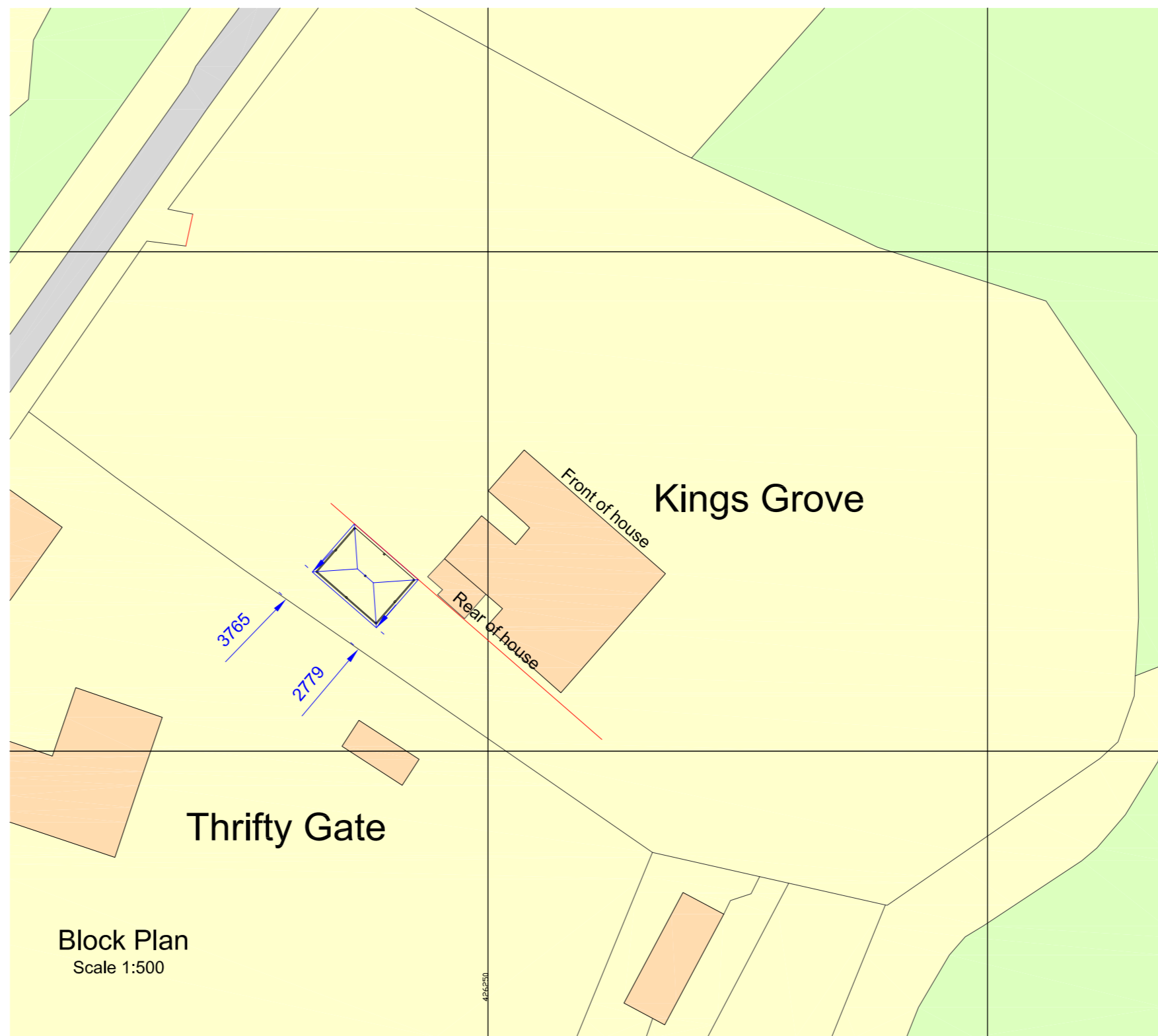
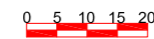


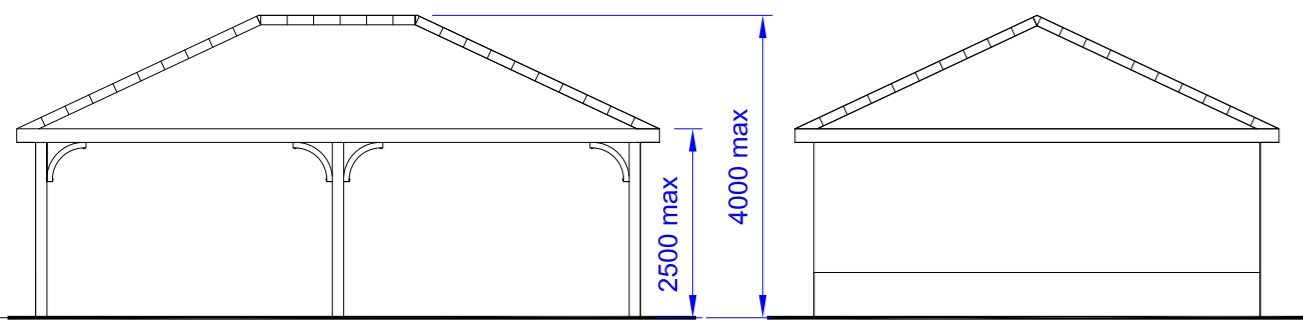


Ordnance Survey, (c) Crown Copyright 2021. All rights reserved. Licence number 100022432

Site Location Plan
Scale 1:1250

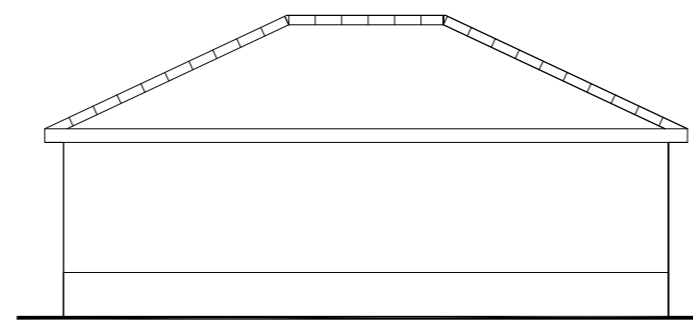


Block Plan
Scale 1:500

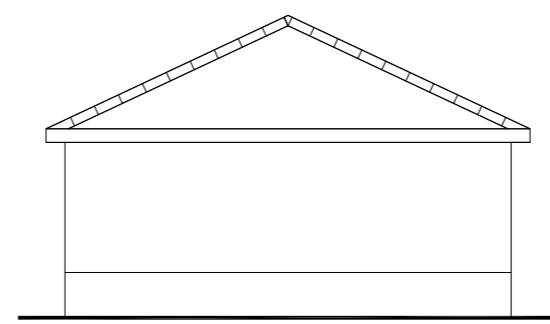


Front View
Scale 1:100

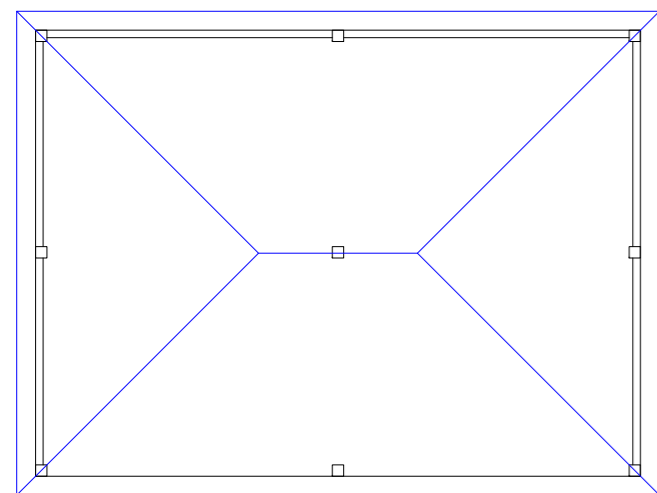
Side View
Scale 1:100



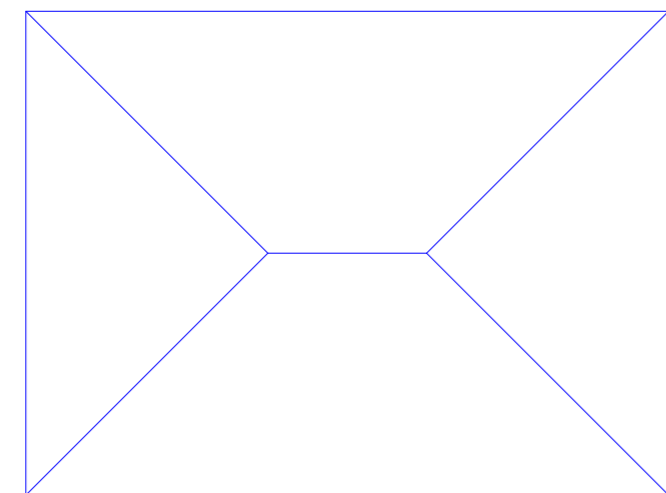
Rear View
Scale 1:100



Side View
Scale 1:100

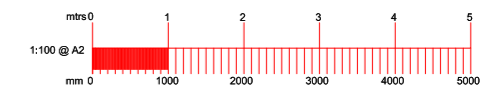


Ground Floor Plan
Scale 1:100



Roof Plan
Scale 1:100

Notes
All dimensions and details to be checked on site by builder prior to commencement of works.
This plan must not be acted upon until it has been approved by the Local Authority.
Client to conform to party wall act of 1996 if required.



B		
A		
	Date	Revisions

Drawing Title:
Proposed

SITE ADDRESS Kings Grove Stoney Cross Lyndhurst SO43 7GP	CLIENT ADDRESS
--	----------------

Scale. as noted	PAPER SIZE A2
Date. September 2021	Drawn by. R.N.S.

Sanders Design Services Ltd
 95 Cedar Road
 Hythe
 Southampton
 SO45 3PX
www.sandersdesignservices.co.uk
info@sandersdesignservices.co.uk
 023 8020 7195

Drawing No	wool sht 1	Revision	x
------------	------------	----------	---