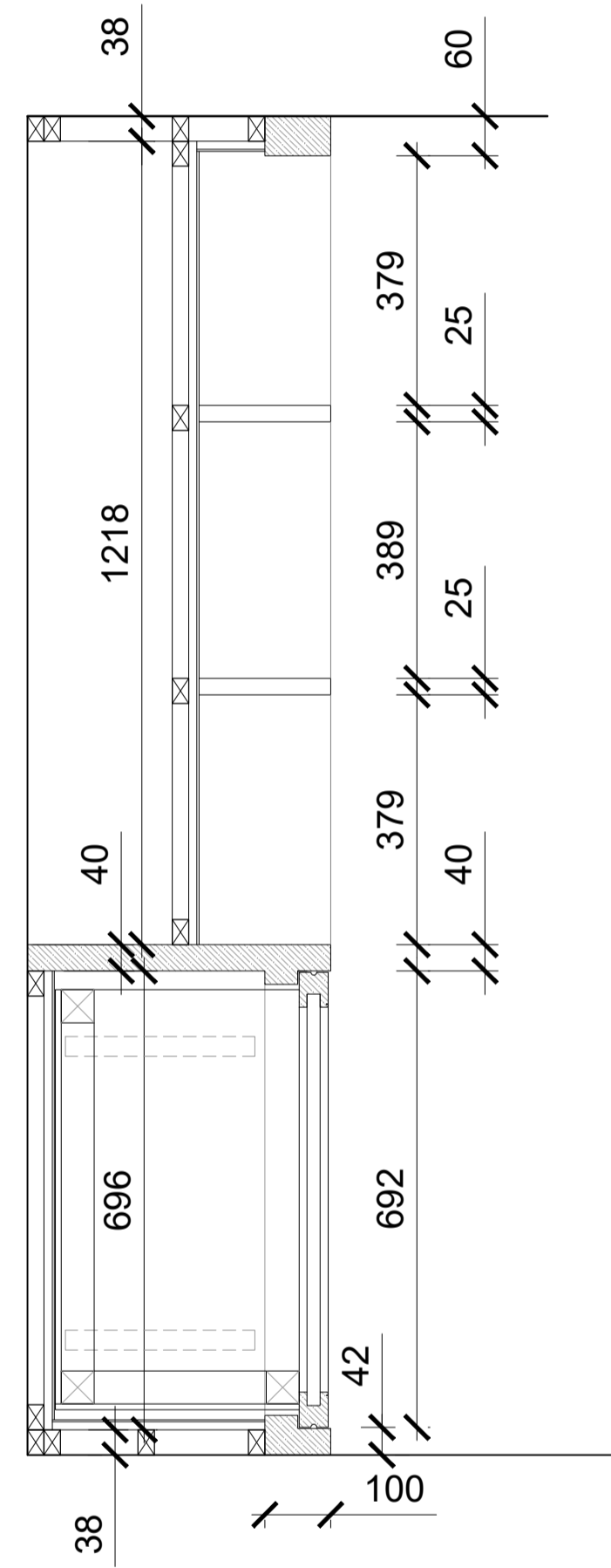


NOTES:
 Do Not Scale.
 Report all discrepancies, errors and omissions.
 Verify all dimensions on site before commencing any work on site or preparing shop drawings.
 All materials, components and workmanship are to comply with the relevant British Standards, Codes of Practice, and appropriate manufacturers recommendations that from time to time shall apply.
 For all specialist work, see relevant drawings.
 This drawing and design are copyright of Clague LLP
 Registration number OC335948.

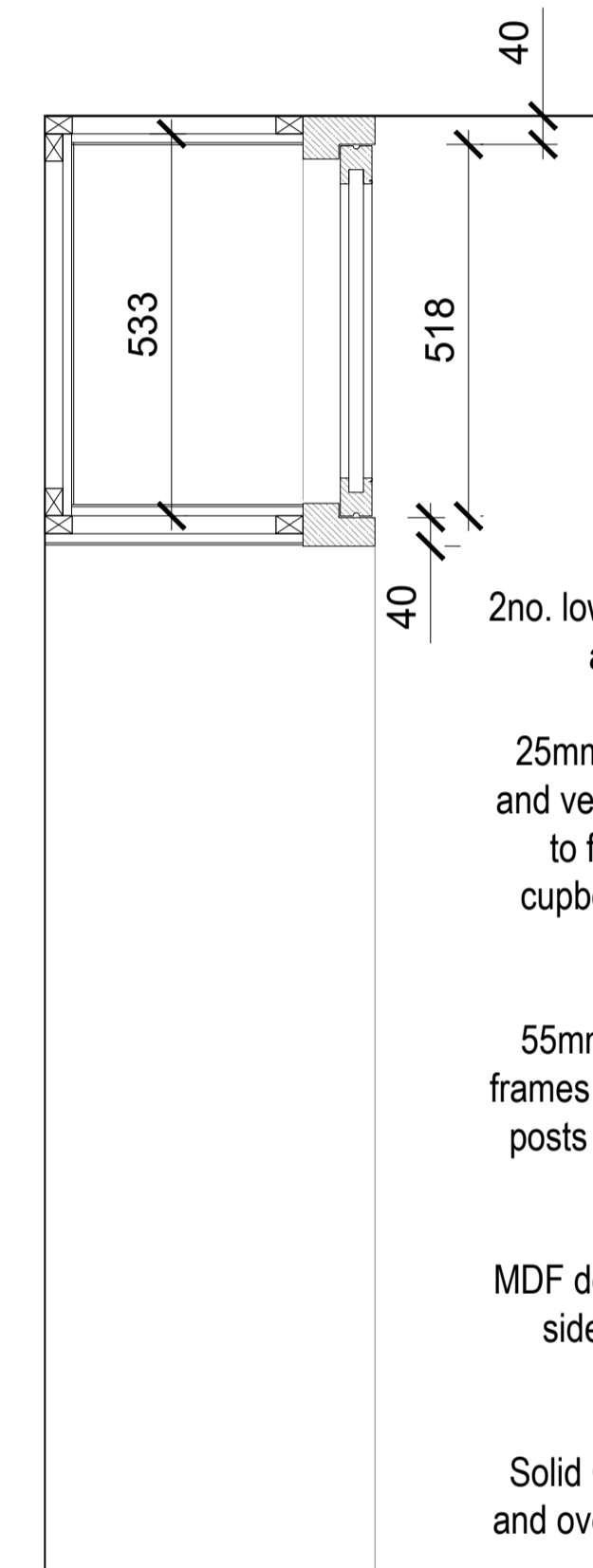
Rev	Date	Description
-----	------	-------------



Proposed Section 1
 Scale 1:10 @ A1



Proposed Elevation
 Scale 1:10 @ A1



Proposed Section 2
 Scale 1:10 @ A1

2no. low level draws, 3no. shelves
 and 2no. cupboards.

25mm x 38mm softwood studs
 and veneer to both sides of studs
 to form partitions between
 cupboard spaces. Primed and
 painted.

55mm x 44mm softwood door
 frames and 84mm x 50mm central
 posts between cupboard doors.
 Primed and painted.

MDF doors to be 44mm thick with
 side frames at 44mm thick.
 Primed and Painted

Solid Oak top to be 50mm thick
 and overhang cupboard by 10mm

Project Title
 21 Queen's Grove
 London
 City of Westminster
 NW8 6EL

Drawing Description
 Proposed Joinery Details
 Low Level Draws and Cupboard 2
 Elevation

Scale	Drawn by
1:10 @ A1	BW
Date	Checked by
Sept 2021	GE

CLAGUE ARCHITECTS

62 Burgate, Canterbury Kent CT1 2BH	01227 762060
2 Kinsbourne Court, Luton Road, Harpenden, Hertfordshire AL5 3BL	01582 765102
8, Disney Street London SE1 1JF	0203 597 6112

CANTERBURY	LONDON	HARPENDEN
------------	--------	-----------

Drawing Number	Revision
----------------	----------

30148A_312

