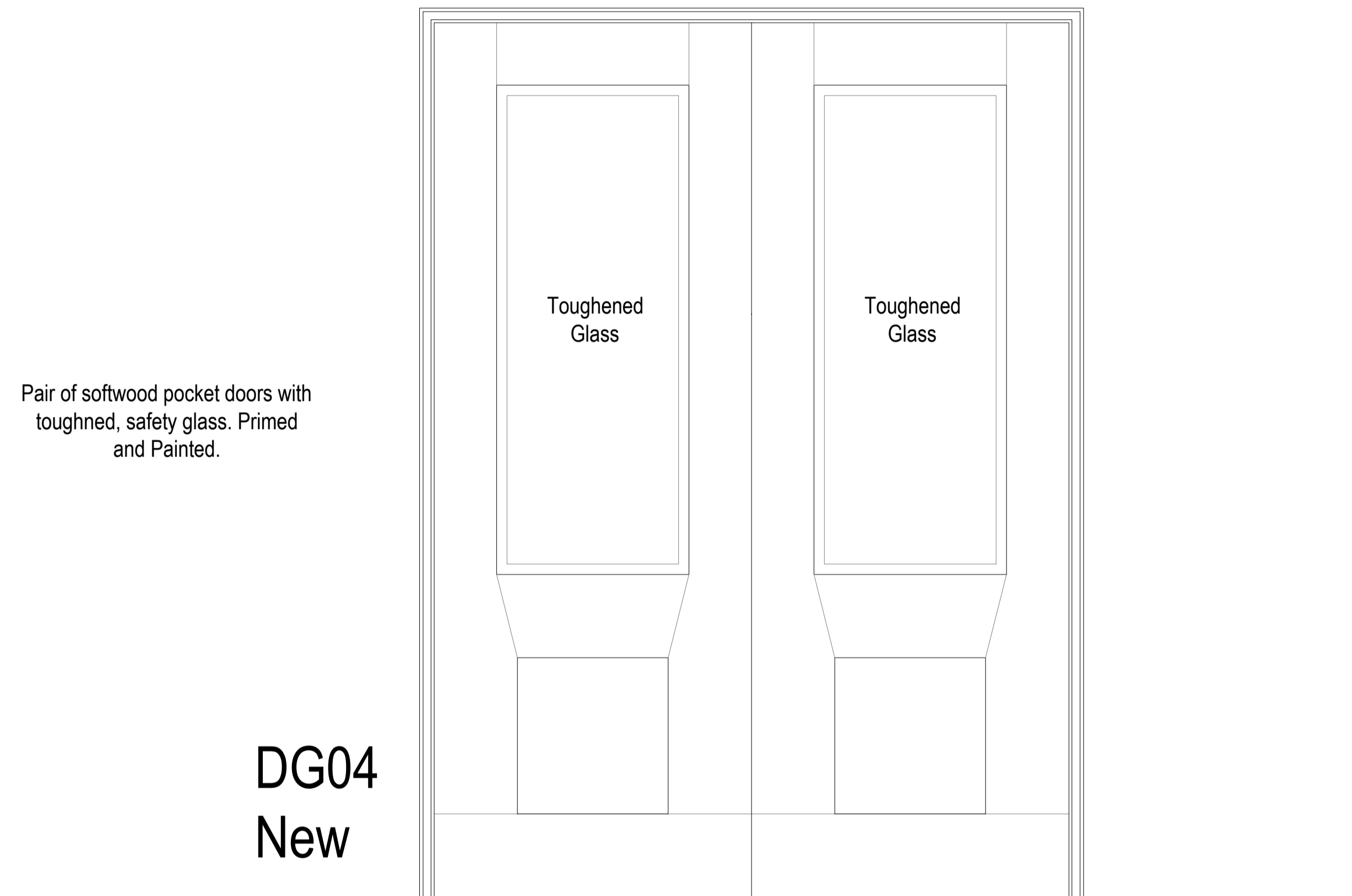
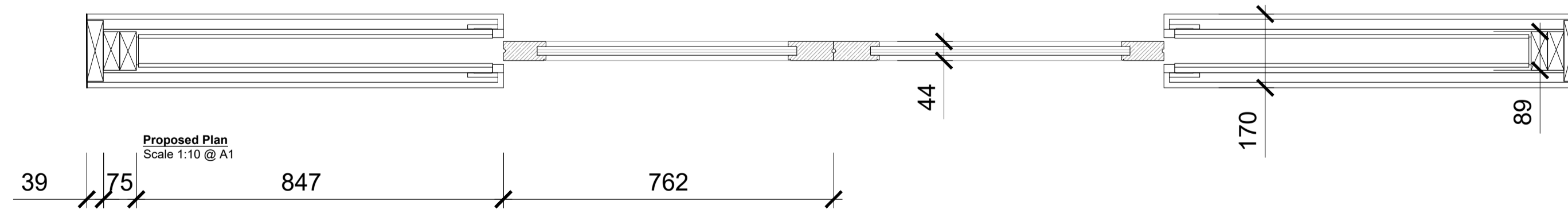


NOTES:
 Do Not Scale.
 Report all discrepancies, errors and omissions.
 Verify all dimensions on site before commencing any work on site or preparing shop drawings.
 All materials, components and workmanship are to comply with the relevant British Standards, Codes of Practice, and appropriate manufacturers recommendations that from time to time shall apply.
 For all specialist work, see relevant drawings.
 This drawing and design are copyright of Clague LLP
 Registration number OC335948.

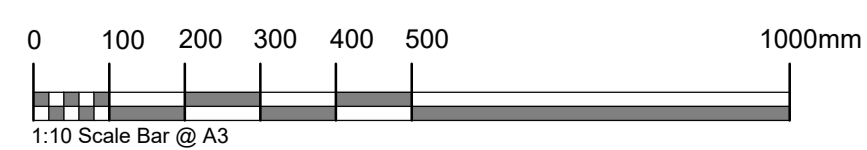
Rev	Date	Description
-----	------	-------------



Proposed Elevation
 Scale 1:10 @ A1



Proposed Plan
 Scale 1:10 @ A1



Project Title
21 Queen's Grove
 London
 City of Westminster
 NW8 6EL

Drawing Description
Proposed Joinery Details
 Pocket Door

Scale
 1:10 @ A1
 Date
 Sept 2021
 Drawn by
 BW
 Checked by
 GE

CLAGUE ARCHITECTS

62 Burgate, Canterbury
 Kent CT1 2BH 01227 762060
 2 Kinsbourne Court, Luton Road,
 Harpenden, Hertfordshire AL5 3BL 01582 765102
 8, Disney Street
 London SE1 1JF 0203 597 6112

CANTERBURY LONDON HARPENDEN

Drawing Number Revision

30148A_314