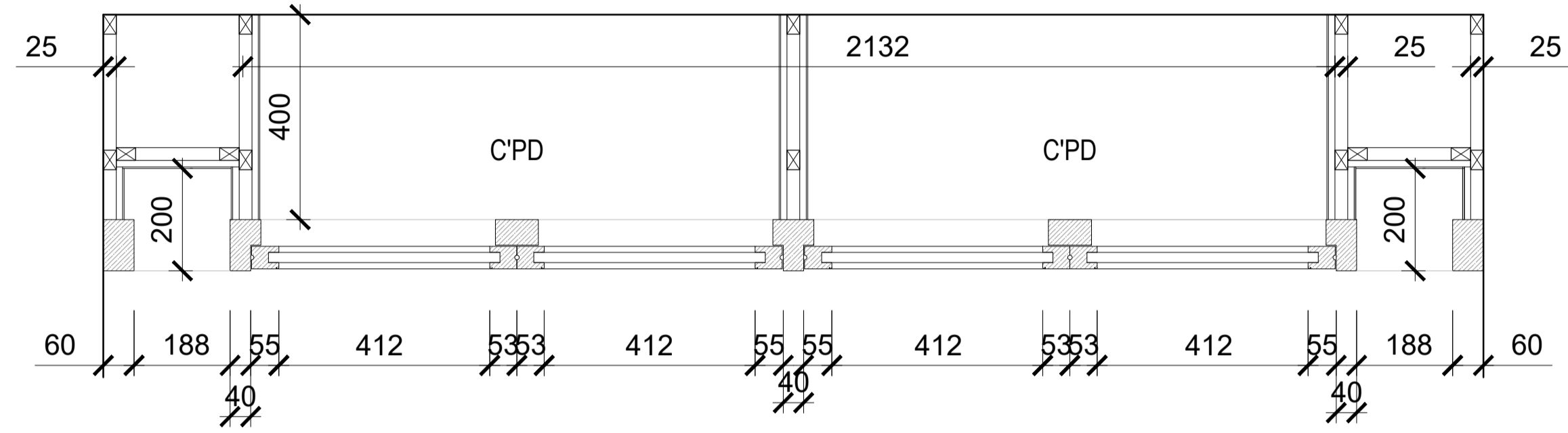


NOTES:  
 Do Not Scale.  
 Report all discrepancies, errors and omissions.  
 Verify all dimensions on site before commencing any work on site or preparing shop drawings.  
 All materials, components and workmanship are to comply with the relevant British Standards, Codes of Practice, and appropriate manufacturers recommendations that from time to time shall apply.  
 For all specialist work, see relevant drawings.  
 This drawing and design are copyright of Clague LLP  
 Registration number OC335948.

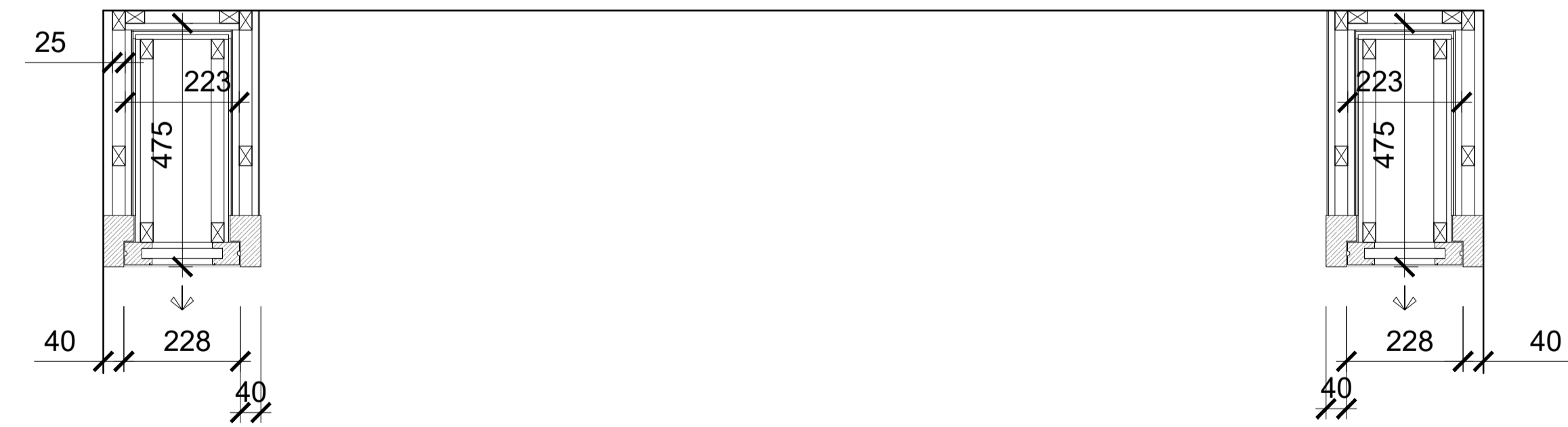
Rev	Date	Description
-----	------	-------------



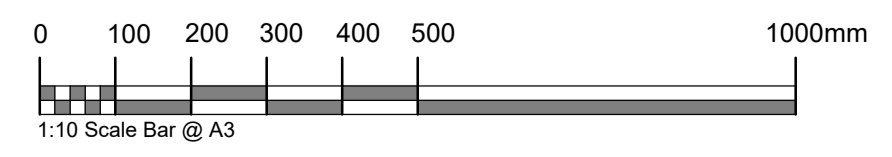
Proposed Cupboard Plan  
 Scale 1:10 @ A1



Proposed Low Shelving Plan  
 Scale 1:10 @ A1



Proposed Low Level Draws Plan  
 Scale 1:10 @ A1



Project Title  
**21 Queen's Grove**  
 London  
 City of Westminster  
 NW8 6EL

Drawing Description  
**Proposed Joinery Details**  
**Low Level Draws and Cupboard 2 plans**

Scale	Drawn by
1:10 @ A1	BW
Date	Checked by
Sept 2021	GE

**CLAGUE ARCHITECTS**

62 Burgate, Canterbury Kent CT1 2BH	01227 762060
2 Kinsbourne Court, Luton Road, Harpenden, Hertfordshire AL5 3BL	01582 765102
8, Disney Street London SE1 1JF	0203 597 6112
CANTERBURY	LONDON
	HARPENDEN

Drawing Number	Revision
<b>30148A_311</b>	