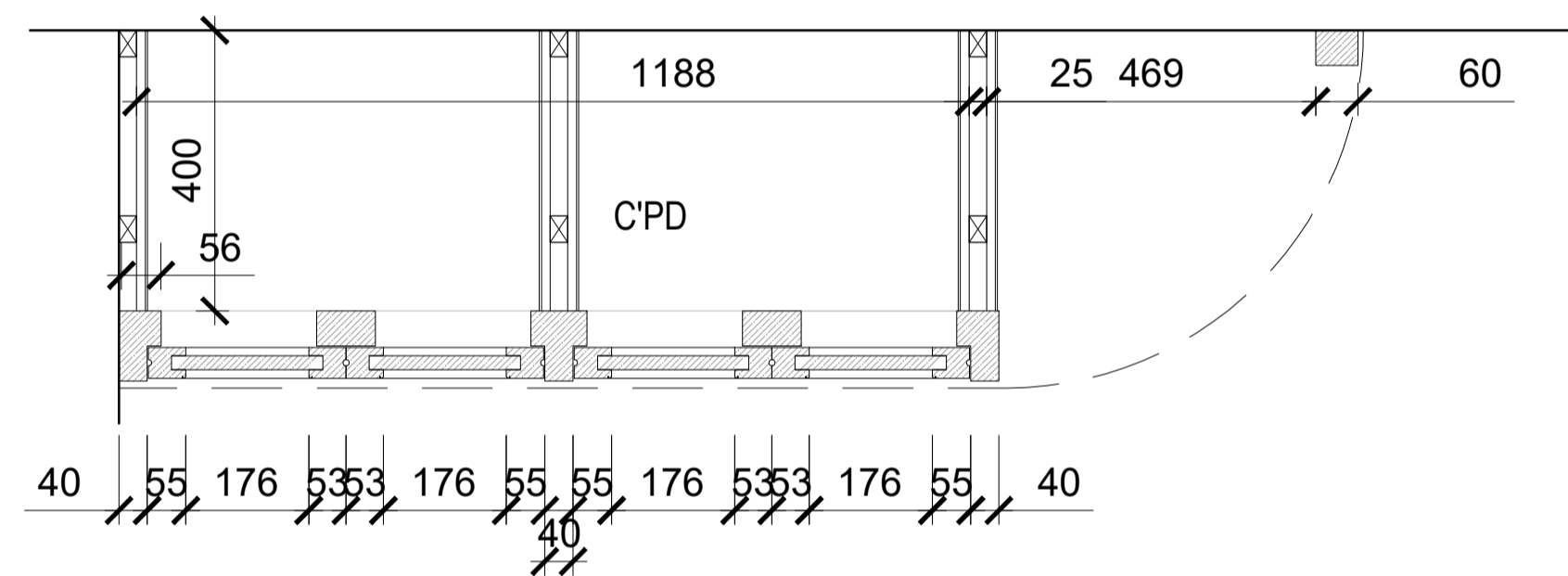
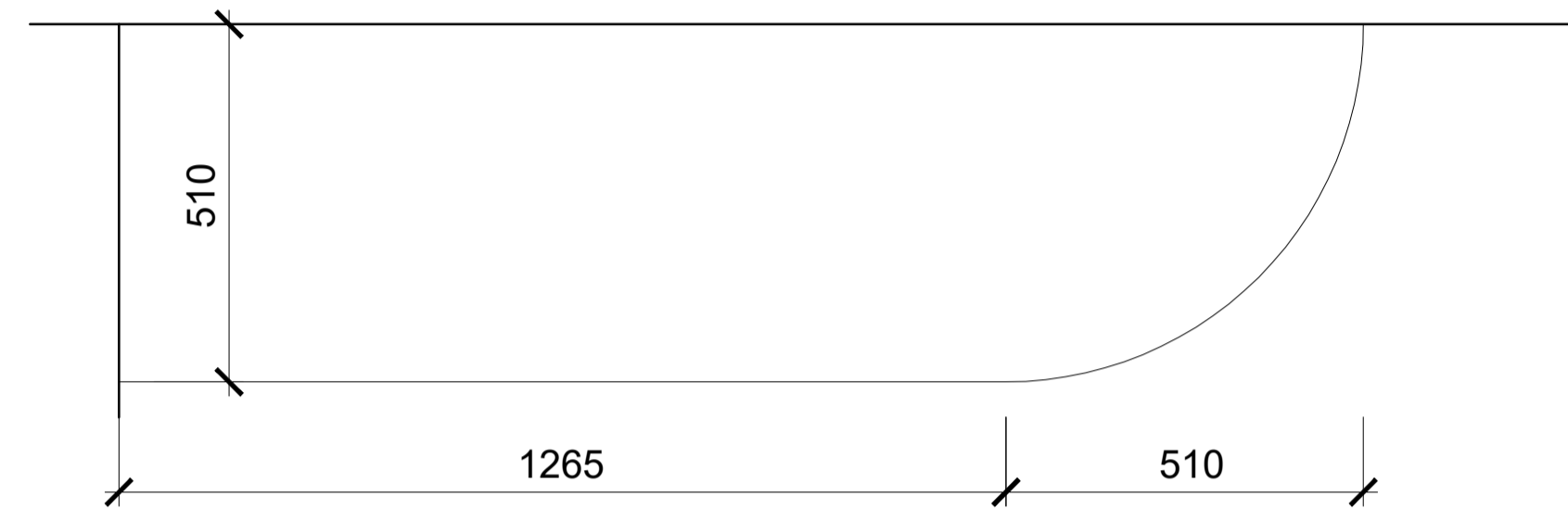
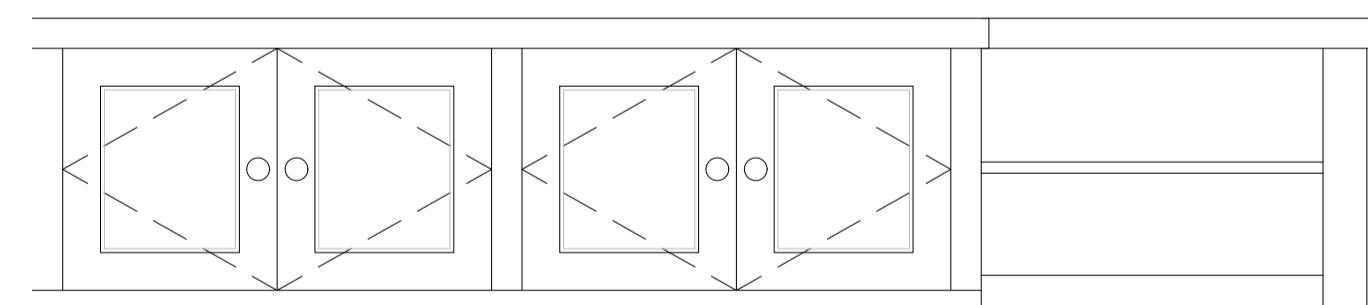


NOTES:  
 Do Not Scale.  
 Report all discrepancies, errors and omissions.  
 Verify all dimensions on site before commencing any work on site or preparing shop drawings.  
 All materials, components and workmanship are to comply with the relevant British Standards, Codes of Practice, and appropriate manufacturers recommendations that from time to time shall apply.  
 For all specialist work, see relevant drawings.  
 This drawing and design are copyright of Clague LLP  
 Registration number OC335948.

Rev	Date	Description
-----	------	-------------

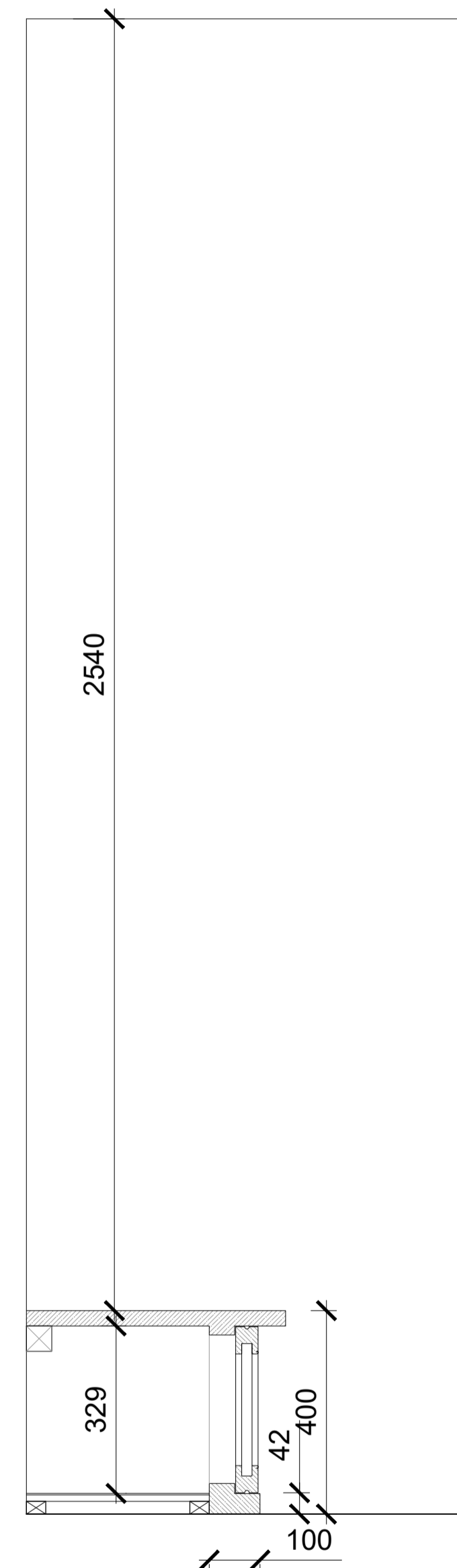


Proposed Plan  
 Scale 1:10 @ A1

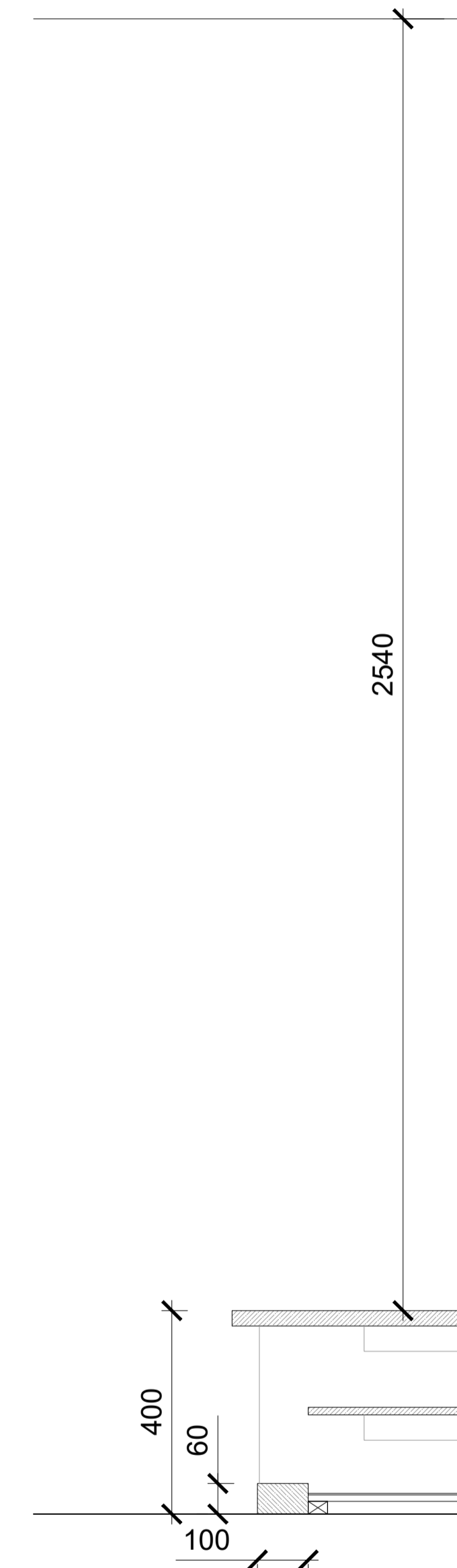


Proposed Elevation  
 Scale 1:10 @ A1

2no. low level cupboards.  
 25mm x 38mm softwood studs and veneer to both sides of studs to form partitions between cupboard spaces. Primed and painted.  
 55mm x 44mm softwood door frames and 84mm x 50mm central posts between cupboard doors. Primed and painted.  
 MDF doors to be 44mm thick with side frames at 44mm thick. Primed and Painted  
 Solid Oak top to be 50mm thick and overhang cupboard by 10mm



Proposed Section 1  
 Scale 1:10 @ A1



Proposed Section 2  
 Scale 1:10 @ A1

Project Title  
 21 Queen's Grove  
 London  
 City of Westminster  
 NW8 6EL

Drawing Description  
 Proposed Joinery Details  
 Low Level Cupboard 1

Scale	Drawn by
1:10 @ A1	BW
Date	Checked by
Sept 2021	GE

CLAGUE ARCHITECTS

62 Burgate, Canterbury Kent CT1 2BH	01227 762060
2 Kinsbourne Court, Luton Road, Harpenden, Hertfordshire AL5 3BL	01582 765102
8, Disney Street London SE1 1JF	0203 597 6112

CANTERBURY	LONDON	HARPENDEN
------------	--------	-----------

Drawing Number	Revision
----------------	----------

30148A\_310

