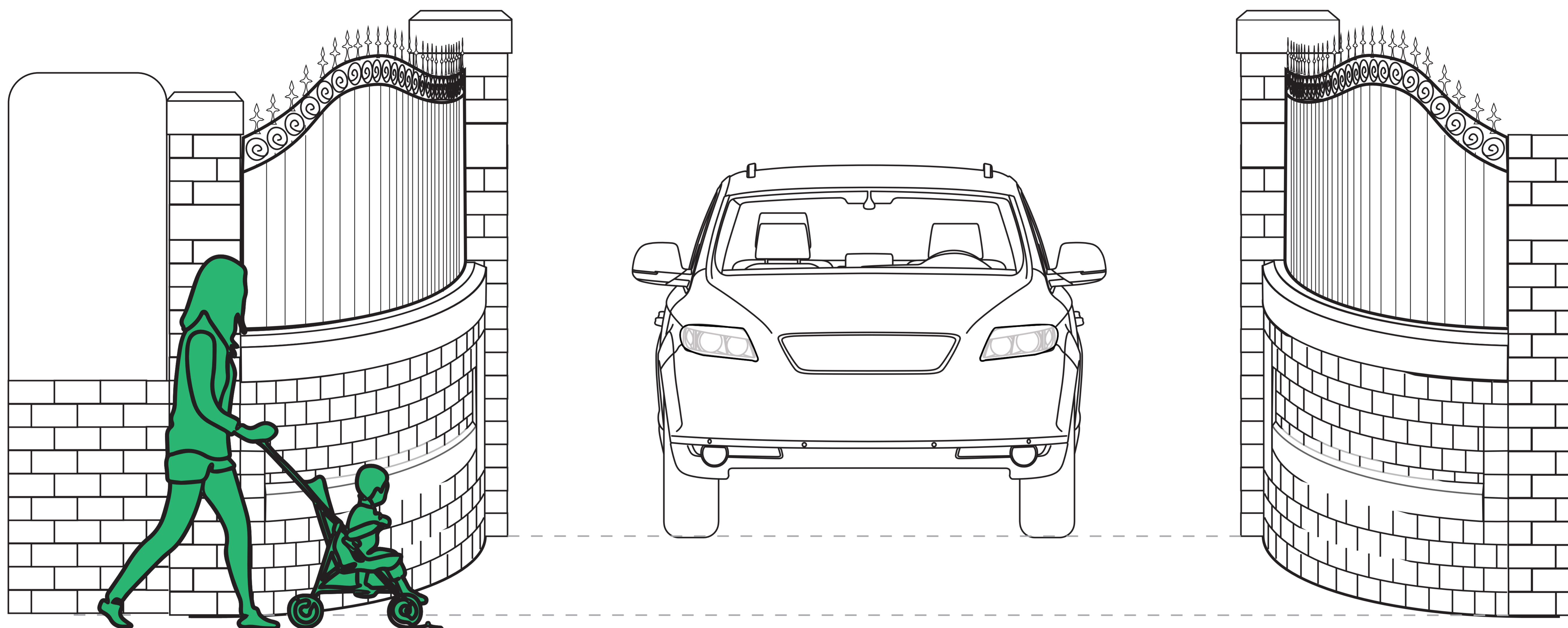
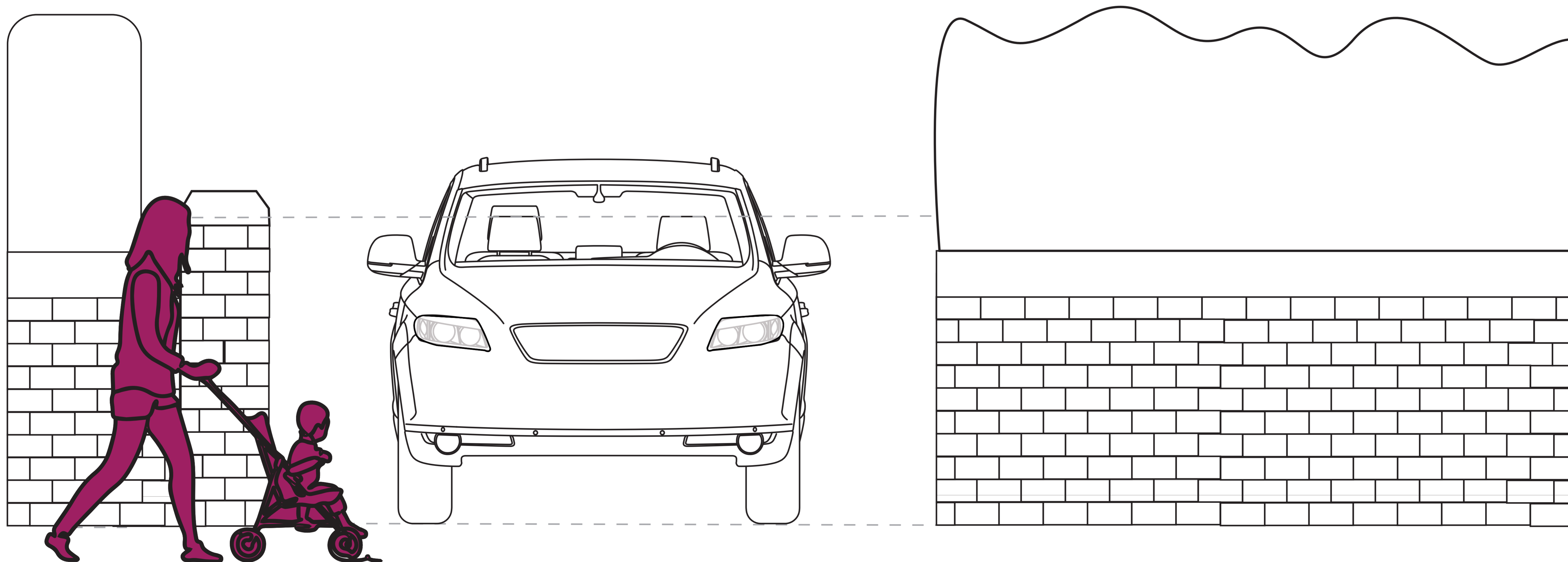


FRONT ELEVATION 2



EXCELLENT VISIBILITY
FOR BOTH DRIVER AND
PEDESTRIAN

Existing



POOR VISIBILITY FOR
BOTH DRIVER AND
PEDESTRIAN