

VERTICAL SLIDING WINDOWS

Heritage



The REHAU Heritage Vertical Slider with traditional timber sash window aesthetics has been approved for use in conservation areas around the UK. Ideal for energy efficient replacement windows in Victorian, Georgian and Edwardian buildings as well as for use in traditional style new build.

Characteristics

The Heritage system's deep bottom rail has been designed to replicate the aesthetics of a traditional timber window and can be used with either a slim-intermediate sash combination or intermediate-large sash combination.

The system has two sashes built into the frame which slide in opposing directions and will remain in any position.

The window has been designed to tilt inwards to enable the window to be cleaned from the inside of the property for easy, fast and safe cleaning and maintenance.

The Heritage vertical slider can achieve an A rating for energy efficiency and complies with the requirements of the building regulations Part L (England and Wales) and Part J (Scotland) when glazed using the correct glazing option. The issue of draughts with timber sash windows is negated with the REHAU Heritage vertical slider; triple brush seals are incorporated into the innovative system, creating a highly effective method of draught proofing.

The REHAU Heritage vertical sliding system is available in a range of foil laminate options allowing for complete personalised profile design. Our complete range of foil laminate options can be seen on our colour page or the REHAU Colour Brochure.



Approved for use in conservation areas around the UK.



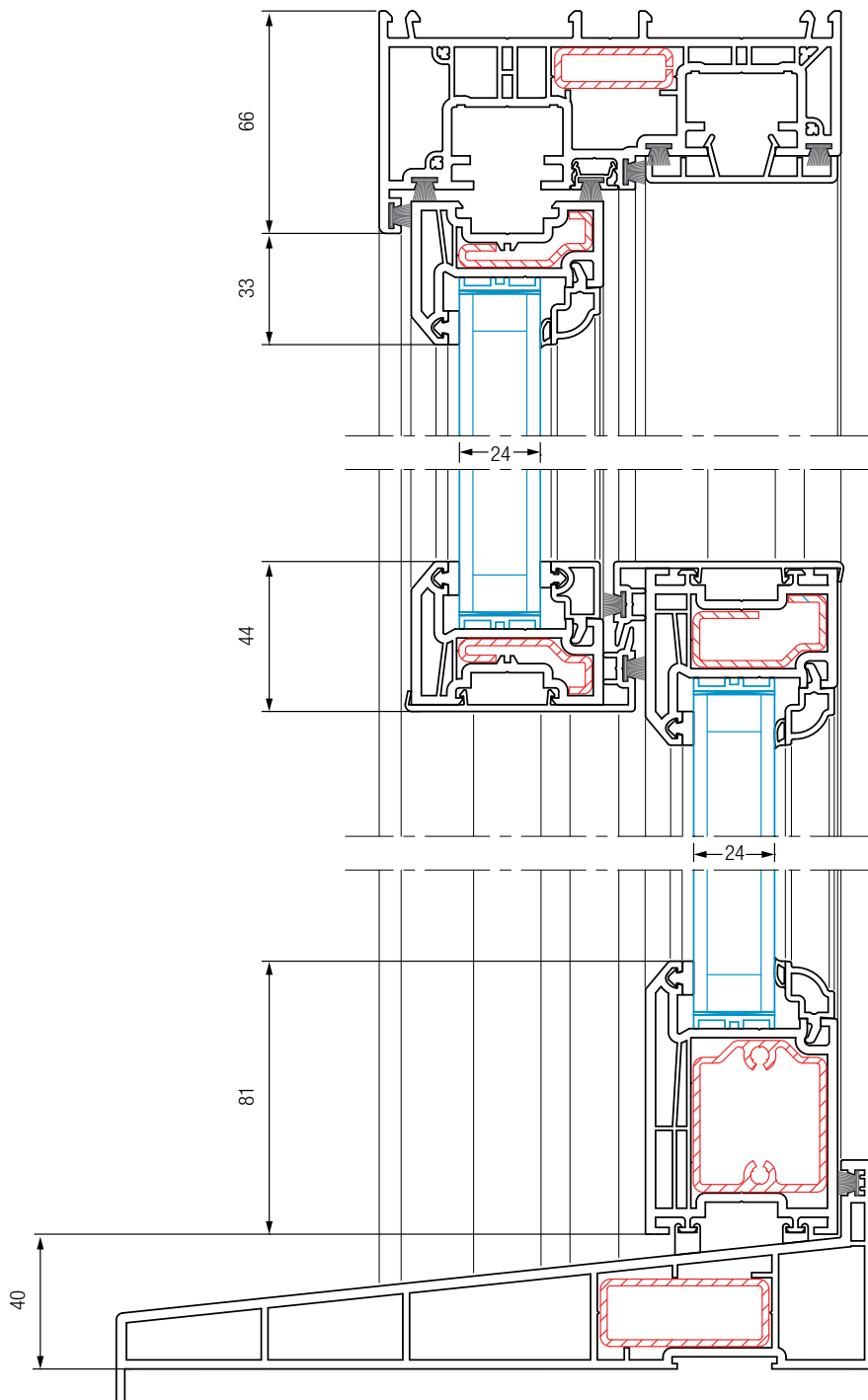
- 1 24mm & 28mm glazing options
- 2 Triple brush seals in the frame create a barrier against wind and air
- 3 4 Sash options
- 4 Georgian bars for an authentic appearance
- 5 Standard balances of 14mm or up to 19mm diameter can be used
- 6 Optional deep bottom rail profile

Feature	Specification
Profile depth	137mm
Maximum window size	1800 x 3500mm
Thermal performance	Exceeds 1.1 W/m ² K
Max. sash weight	50kg
Glass width	24 & 28mm
Further options	Georgian bars Fixed or run through sash horns Sliding latches allowing for tilting
Accreditations	See page 54

VERTICAL SLIDING WINDOWS

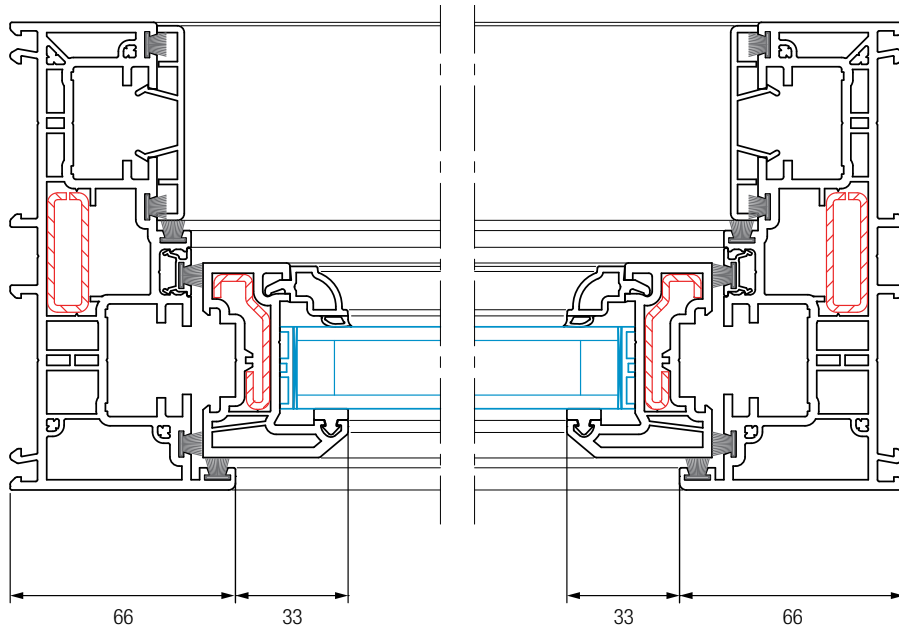
Heritage

Vertical Section

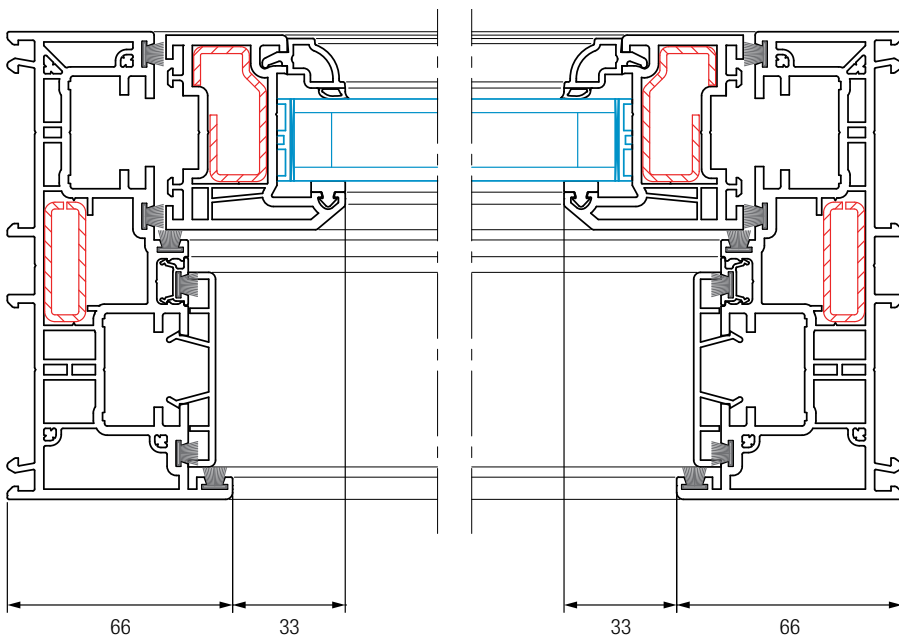


DETAILED DRAWINGS ARE AVAILABLE ON REQUEST

Top Sash



Bottom Sash



DETAILED DRAWINGS ARE AVAILABLE ON REQUEST