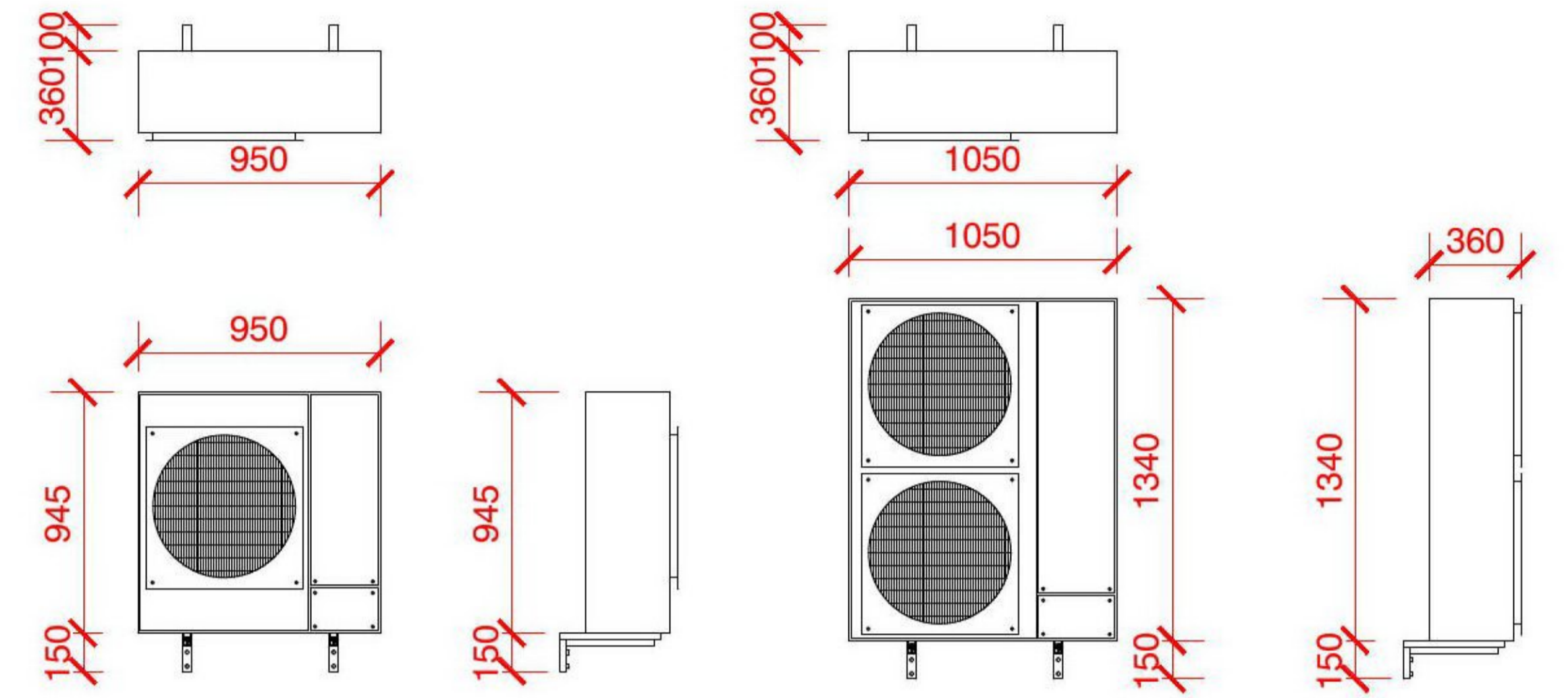




EXISTING ELEVATION A-A (1:50)



AC CONDENSER DIMENSIONS (1:20)



NEW SLIMLINE INTERNALLY ILLUMINATED BADGE BOX SIGNS CONSTRUCTED FROM 10g ALUMINIUM, BLUE TO RAL 5019 WITH 65% HORIZONTAL GRADIENT TO PANTONE PROCESSED CYAN. WHITE 'GREGGS' LETTERING AND ORANGE QUATTRO DOTS TO PANTONE 1235C. LETTERS AND QUATTRO DOTS ILLUMINATED ONLY.

2 x AC CONDENSERS WITHIN SECURITY CAGE @ HIGH LEVEL

PROPOSED DDA SIGN

PROPOSED ELEVATION A-A (1:50)

REV	DESCRIPTION	DATE	NAME
GREGGS Plc (SOUTH EAST) 87 MILLMARSH LANE ENFIELD MIDDLESEX EN3 7XJ			
Shop S Number & Name S5794 Clacton-on-sea, UM Clacton TP, Old Rd			
Title 03 PLANNING			
Site Address Unit M, Proposed Retail and Trade development park, Old Gas Works Site, Old Road, Clacton-on-sea			
Gross Building Area 140 Sq m		Gross Sales Area 66 Sq m	
Drawing No. R50E/S5794/03			Rev.
Date 30/09/21		Scale 1:50 @ A1	
Drawn by GP	Scale Bar		
Issued 30-Sep-21	0 500 1000 1500 2000 2500mm SCALE 1:50		

DO NOT RESCALE THIS DRAWING