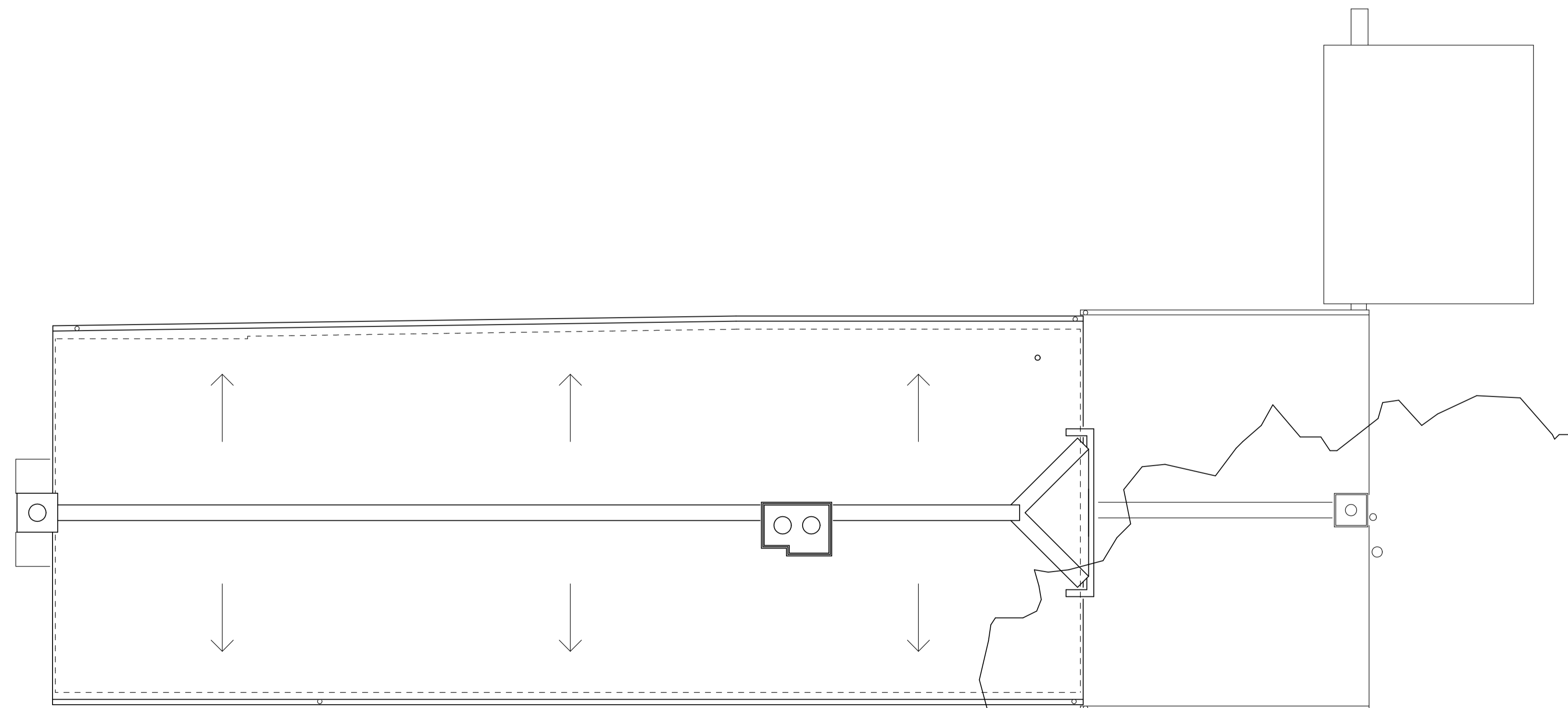
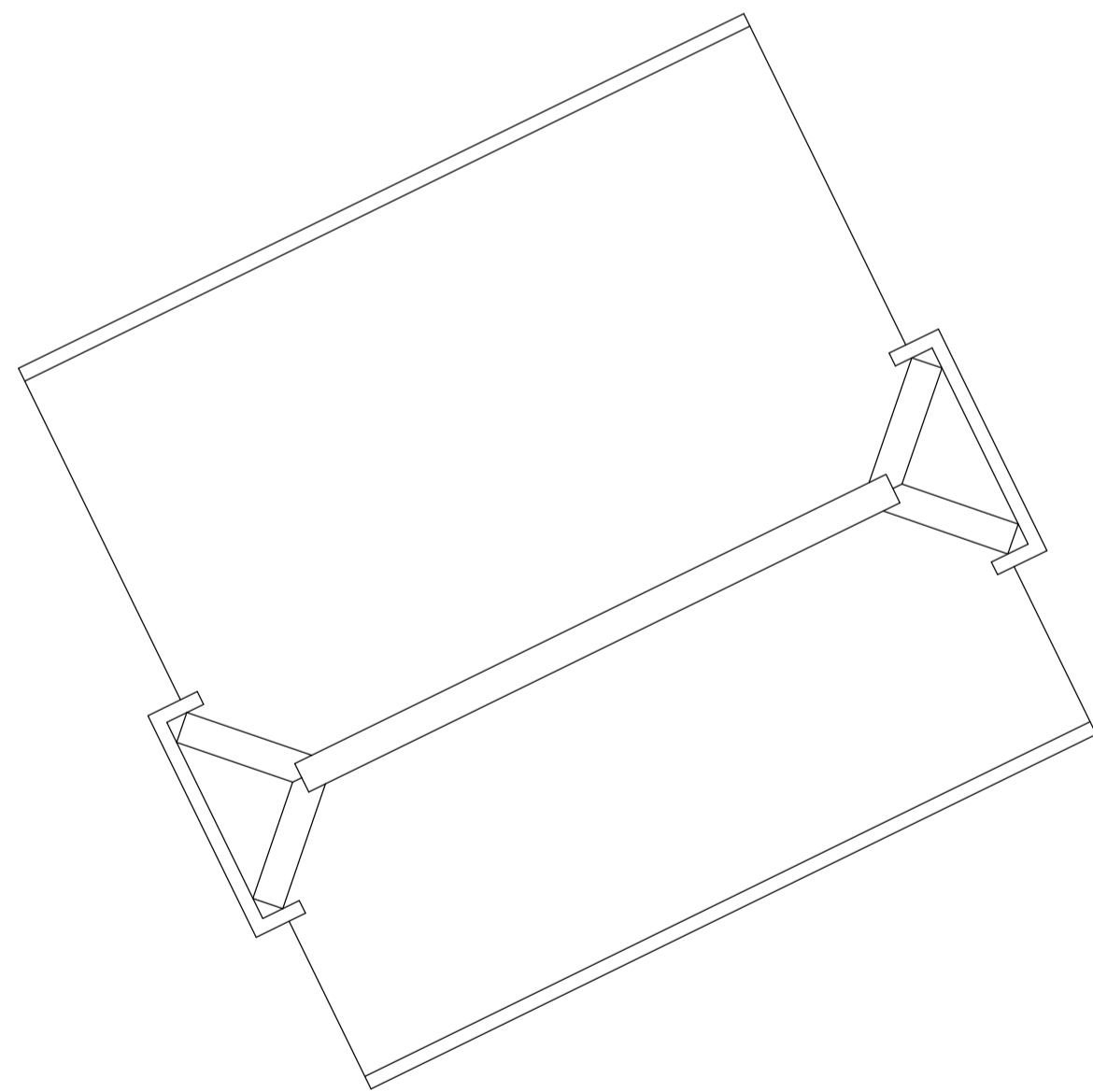
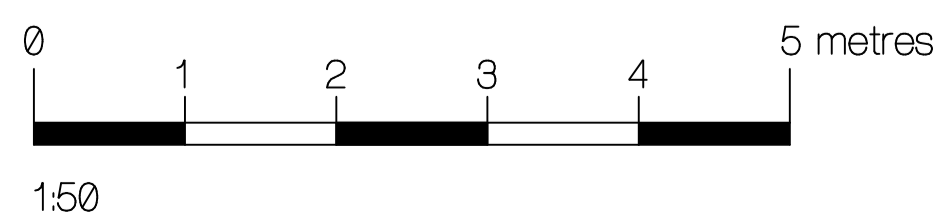


Existing First Floor Plan



Existing Roof Plan



## PJ Architectural Design

33 CHESTNUT PLACE, COWDEN, NR. EDENBRIDGE,  
KENT, TN8 7HZ.  
MOB : 07989 770930  
pjarchdesign@btinternet.com

Client  
RH & RW Clutton

Property  
Chine Farmhouse  
Main Road  
Knockholt  
Sevenoaks  
Kent  
TN14 7LG

Project  
Rear Extension & Refurbishment.

Drawing  
Existing First Floor & Roof Plans.

DRG.No.	2209 / 2	DATE	Feb 2020
---------	----------	------	----------

SCALE	1:50
-------	------