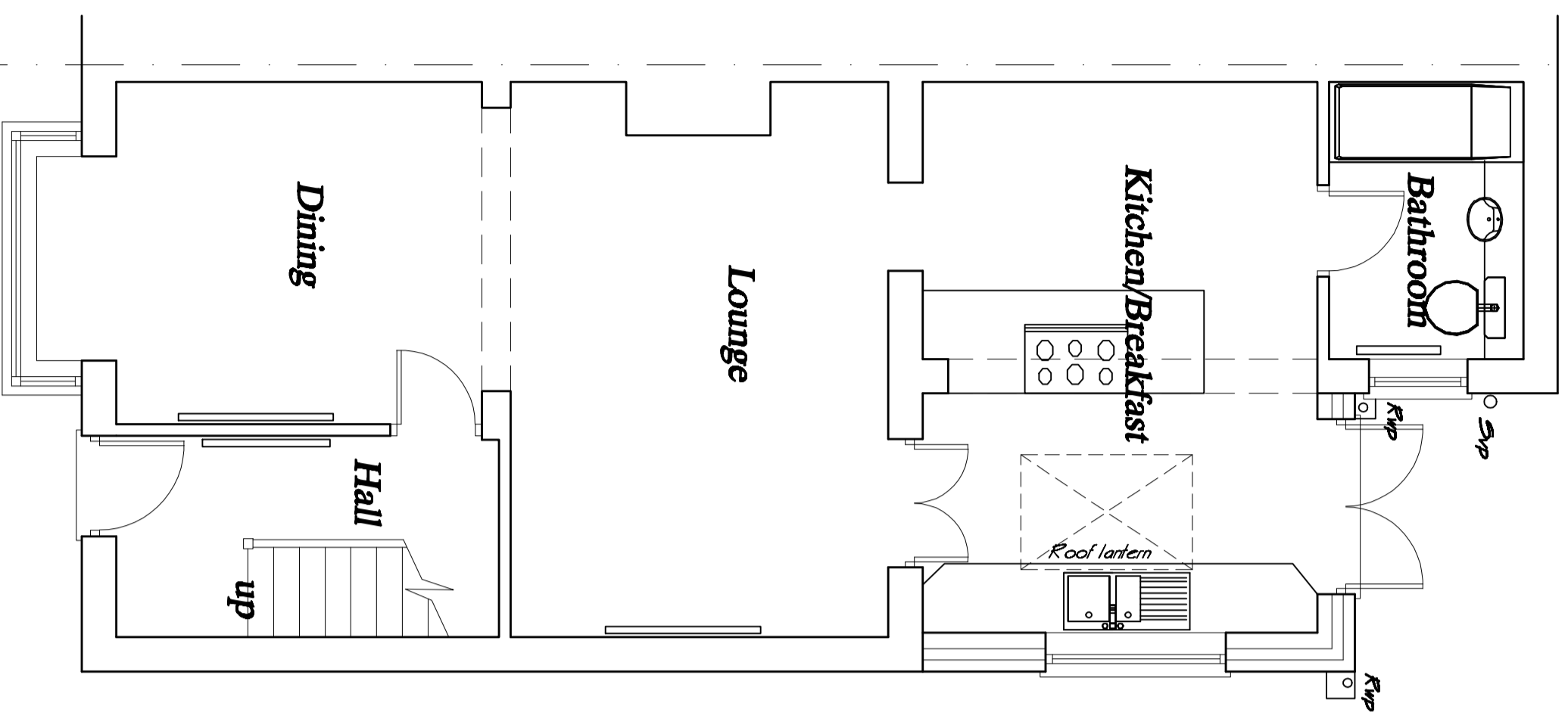
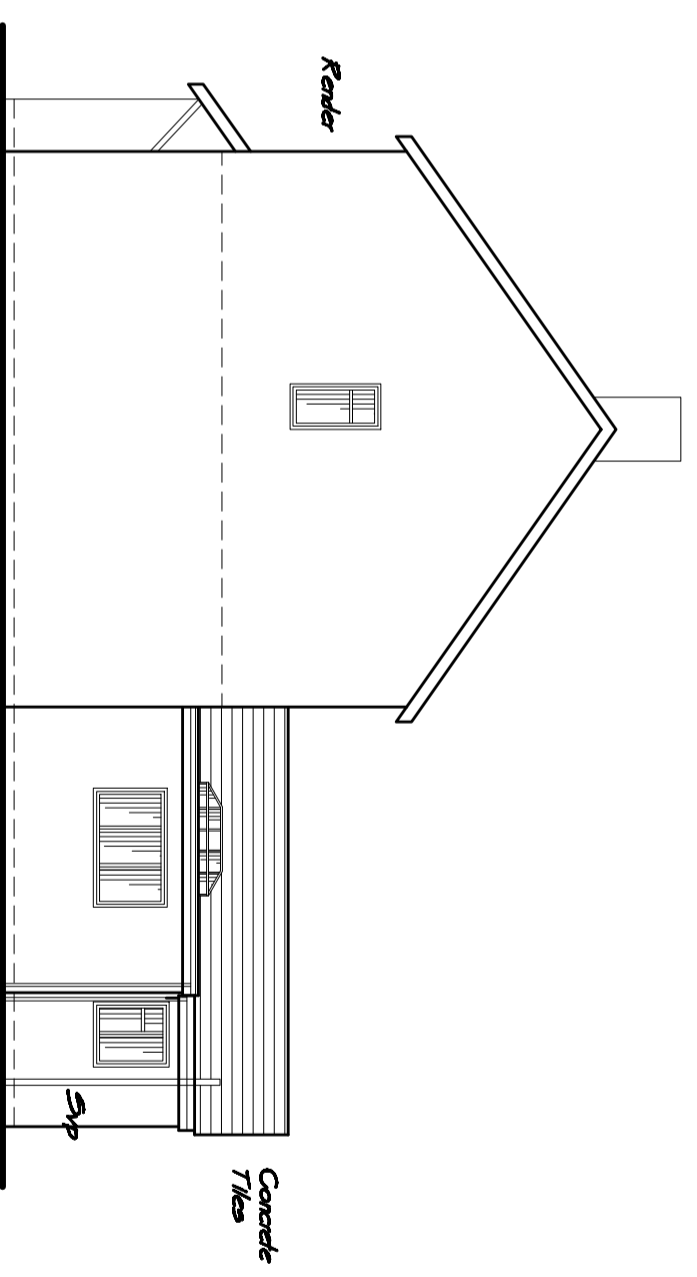


Exact location, level and type of drains etc. to be found on site prior to start of new works

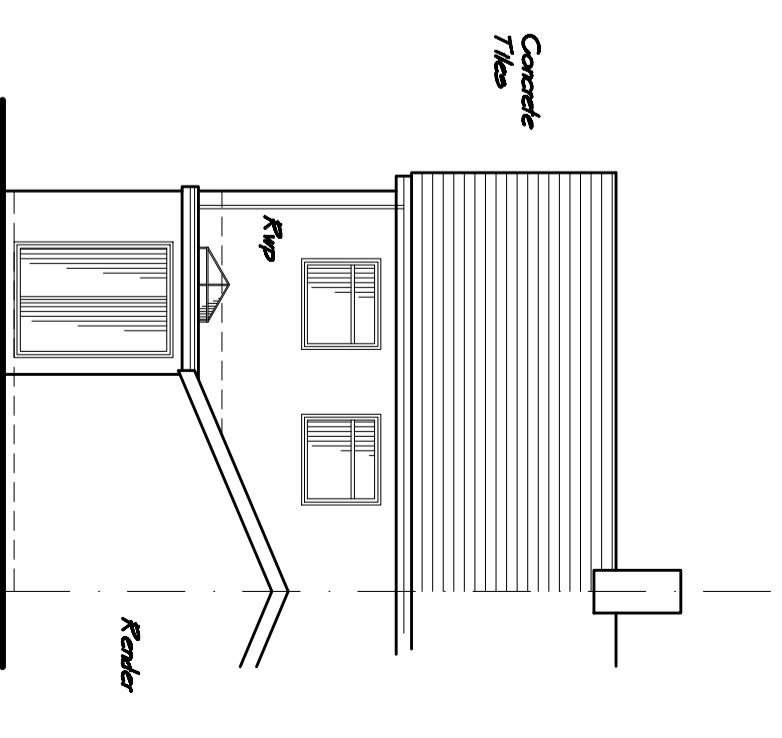
C



Ground Floor Plan



Side Elevation



Rear Elevation

Dean Lock Design
Architectural Services

36 Apollo Way
Blackwood
NP12 1WB
Tel No. 01495 423502
Email : Laddean@eol.com

Revisions

Proposal Drawing

Proposed Rebuilding of Conservatory to Extend Kitchen at 61 Waunborfa Road, Cefn Forest, For Mr & Mrs A. Robbins

Scale 1:50 & 1:100

Oct. 2021

Dwg. No. 1298/2

© A2