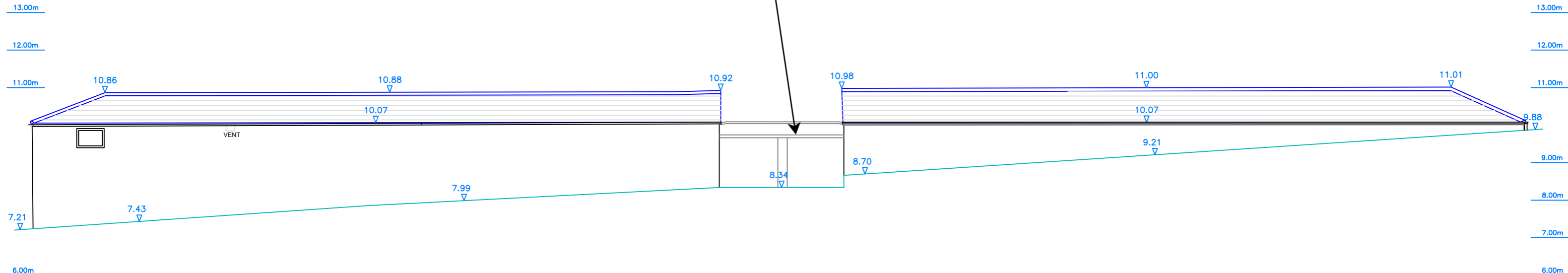
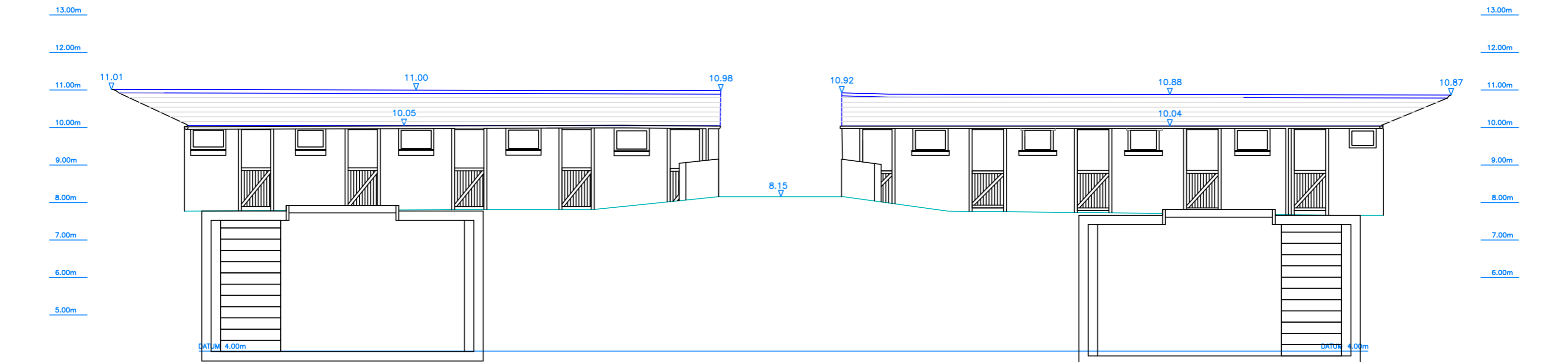


Proposed Garage Building



ELEVATION 1



ELEVATION 5

PROJECT	Hopper Huts	REVISIONS AND ISSUE	
DRAWING TITLE	Proposed Elevations (1)		
DRAWING NO	HH.105		

NOTES:
Not for construction. Please do not scale from this drawing unless for planning purposes. All contractors, sub-contractors and suppliers are advised to check relevant dimensions and levels on site prior to the commencement of work.

PAPER SIZE: A3
SCALE BAR:
1:100 0 2m 4m