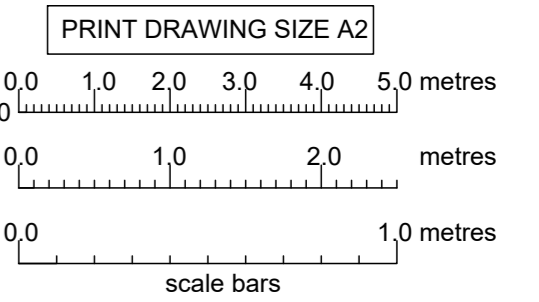


**PRELIMINARY ISSUE
FOR APPROVALS
NOT FOR CONSTRUCTION**



- NOTES :**
1. Check dimensions on site or refer to Architect/Engineer.
IF IN DOUBT - ASK
If this Drawing is printed or reproduced in any format, scales may differ significantly from those shown.
 2. This Drawing to be read in conjunction with :
Architect Drawings No.
RSCE Drawings No.
manufacturers instructions and specifications and current European and British Standards and Codes of Practice
 3. Structural Steelwork grade S275
Fabricated Steelwork to BS EN1090 Execution Class EXC2
Structural Steelwork exposed to external atmosphere, aggressive environment, or embedded/bearing within external masonry, etc. to be hot dip galvanised.
Structural Steelwork entirely within internal dry and non-aggressive environment is to be delivered to site primed and additional site coat of suitable and compatible zinc rich corrosion protective paint.
1/2 hour fire protection to all Structural Steelwork using fireline board.
 4. Structural Timberwork grade C24 and vac vac preservative treated, unless noted otherwise.

Rev	Date	Description
A	12/ 11/ 21	larger location plan added

RSCE Consulting Engineers
Consulting Civil, Structural and Geotechnical Engineers

55 Garstang Road, Preston, Lancs. PR1 1LB
tel. 01772 250163

Principal : R. Sparks B.Eng., M.Eng., C.Eng., MICE

Project	SCORTON - PARK BROOK BUNGALOW, ARKMERE LANE (OFF LONG LANE) PR3 1DW		
Drawing Title	SITE LOCATION AND BLOCK PLAN		
Scale	Date	Drawing No.	Rev.
As shown	12/ 10/ 21	3596-002	A 12/ 11/ 21

© Crown copyright and database rights 2021 OS 100035409
Reproduction in whole or in part is prohibited
without the permission of Ordnance Survey.