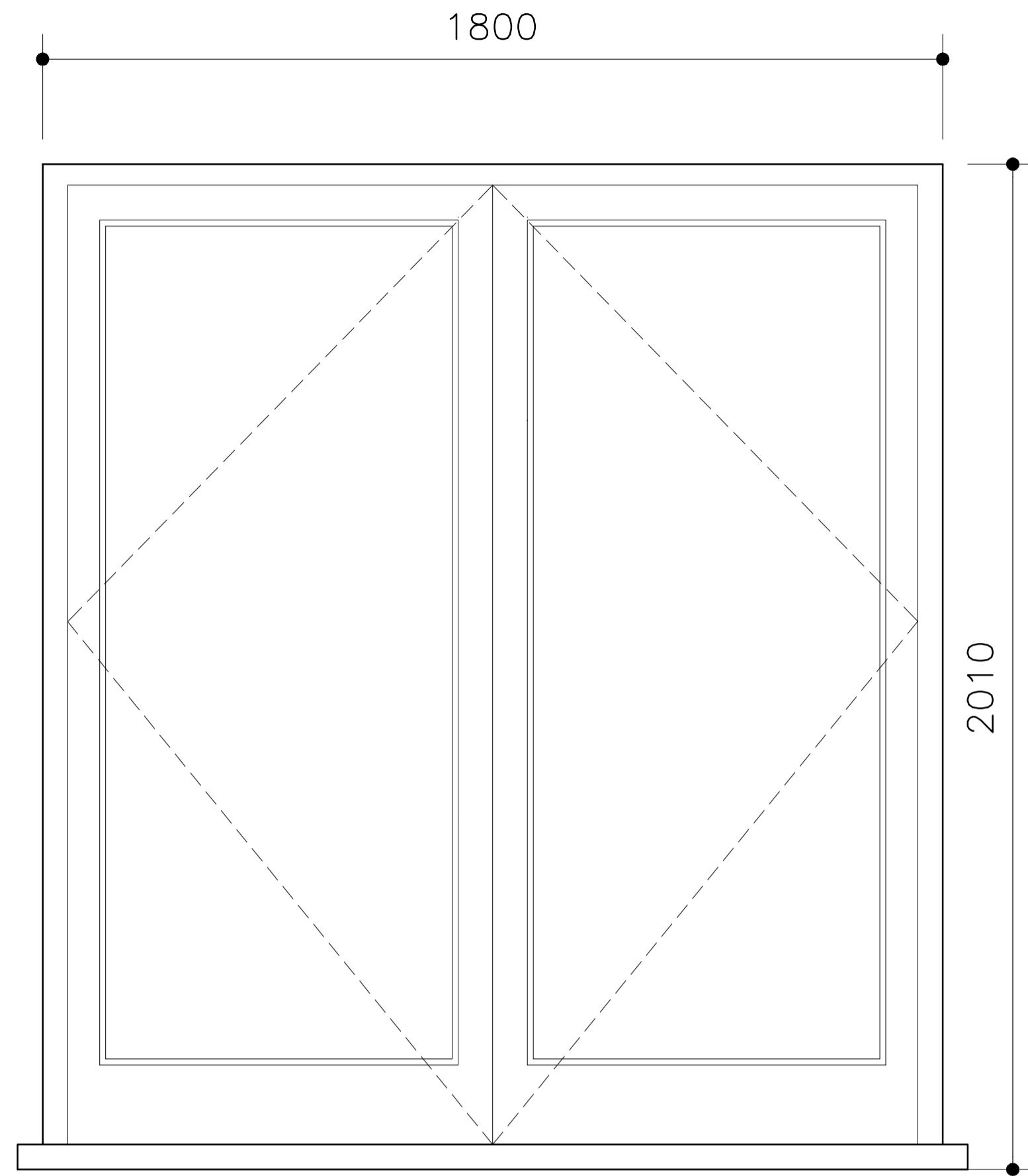


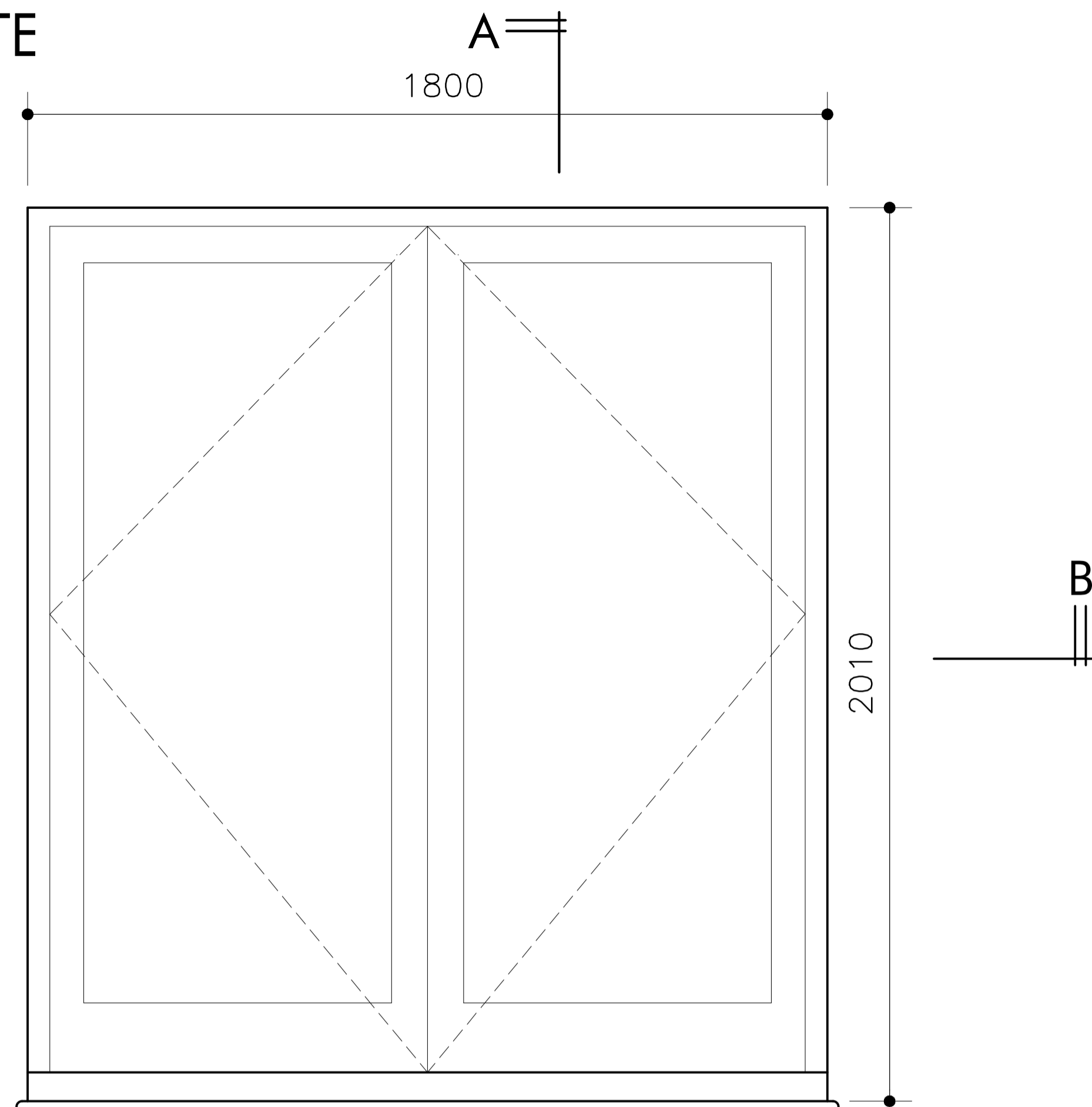
ALL DIMENSIONS TO BE CONFIRMED ON SITE



DG02 (external)



Scale 1:10

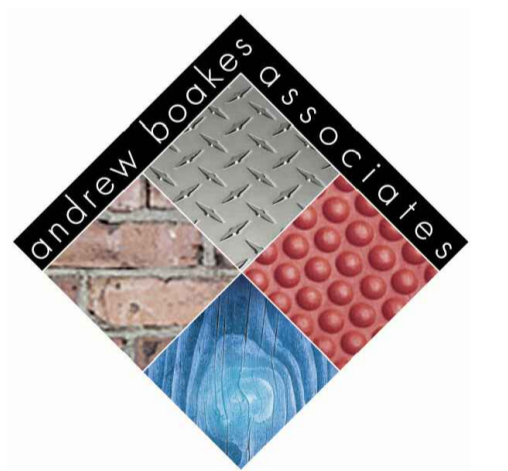


DG02 (internal)

A

figured dimensions only to be used.  
all dimensions to be checked on site.  
copyright reserved.

all materials and workmanship to be  
to current british standards and codes  
of practice.



chartered architect

T: 01732 356972  
E: aba@abaarchitect.com  
W: abaarchitect.com

andrew boakes associates ltd registration number 4380837

job title  
Stonelake  
Chiddingstone Causeway  
Near Tonbridge  
Kent

drawing title  
DG02  
Detail Sections and Elevations  
scale 1:10 1:2 @ A1 date Mar. 21