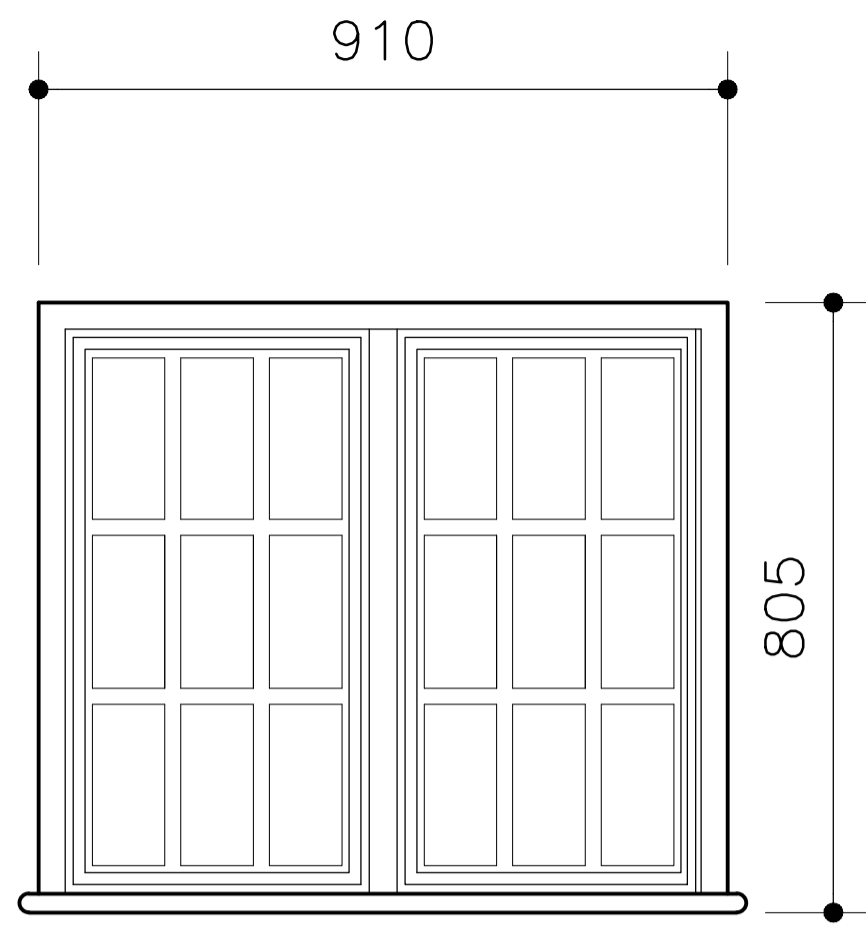
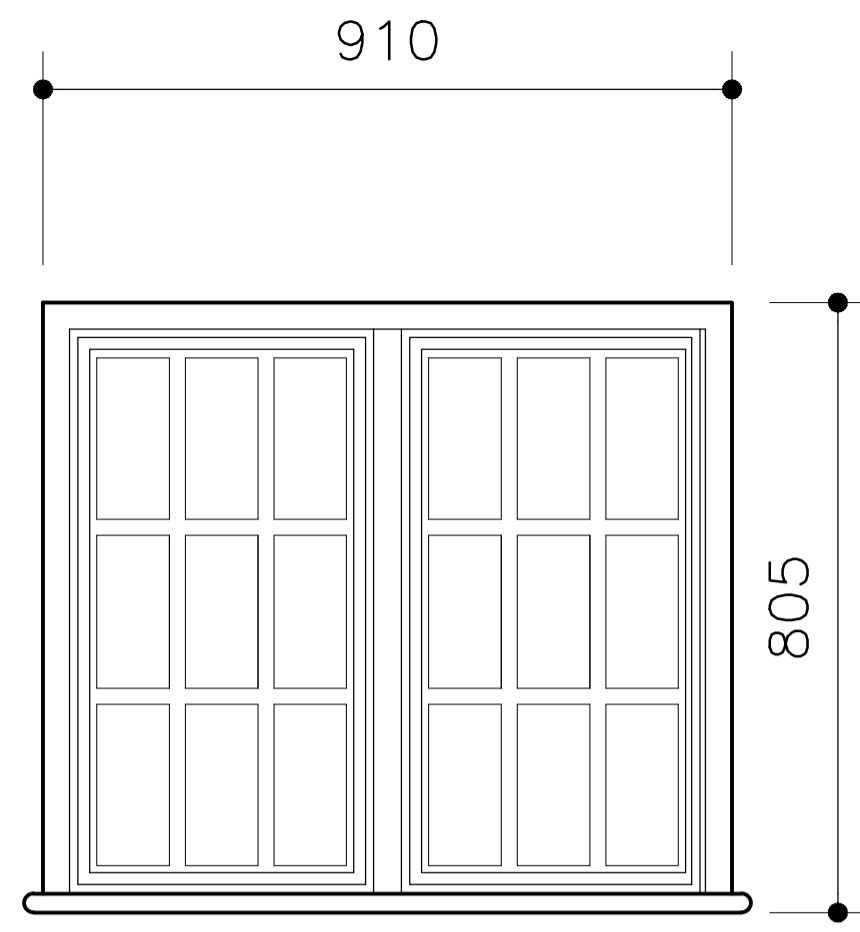


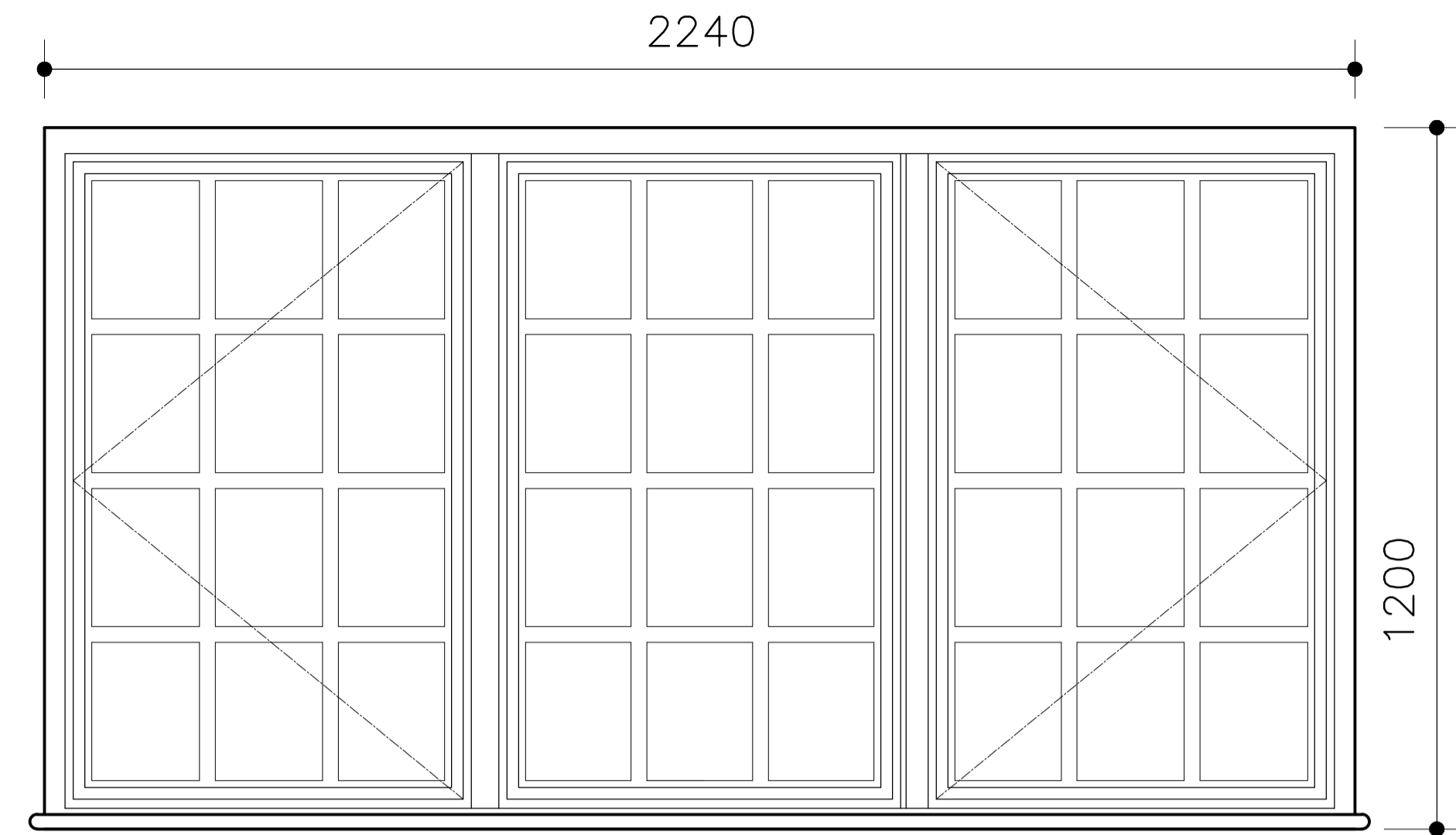
figured dimensions only to be used.  
 all dimensions to be checked on site.  
 copyright reserved.  
 all materials and workmanship to be  
 to current british standards and codes  
 of practice.



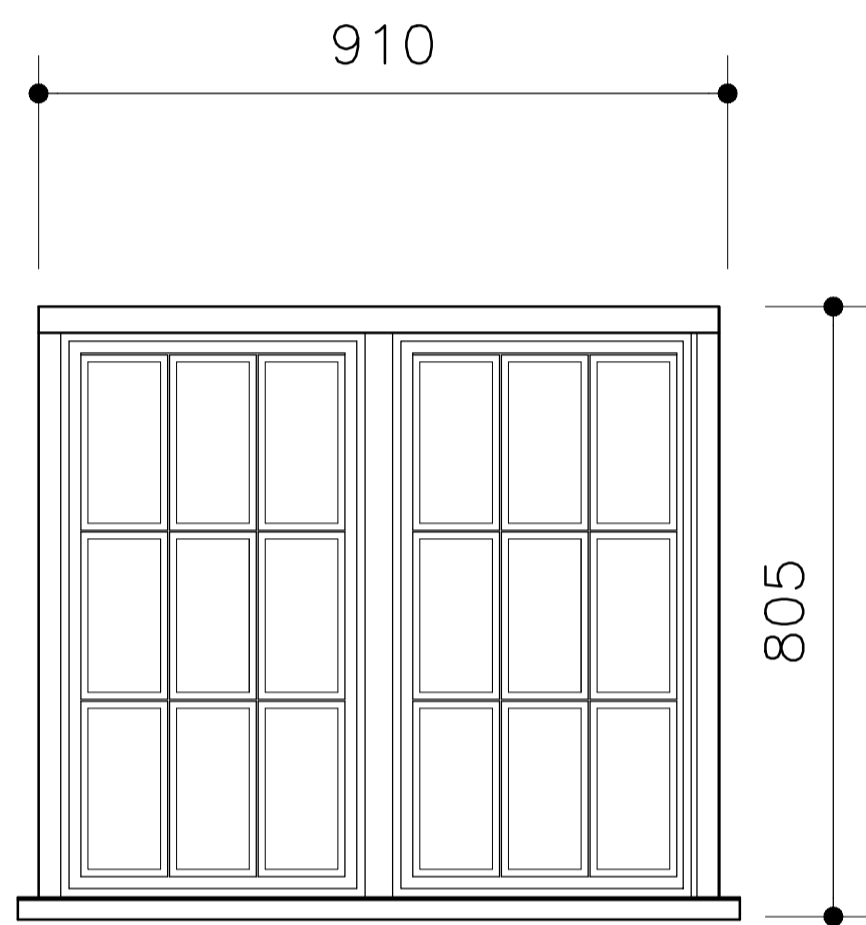
WF01 (internal)



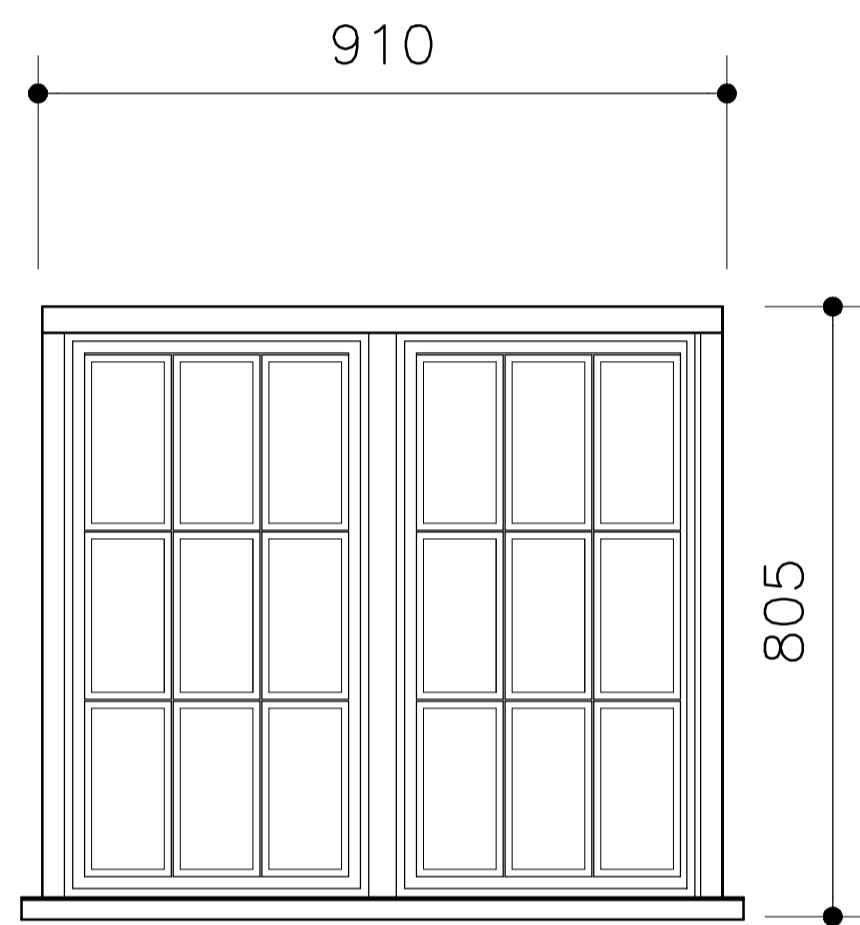
WF02 (internal)



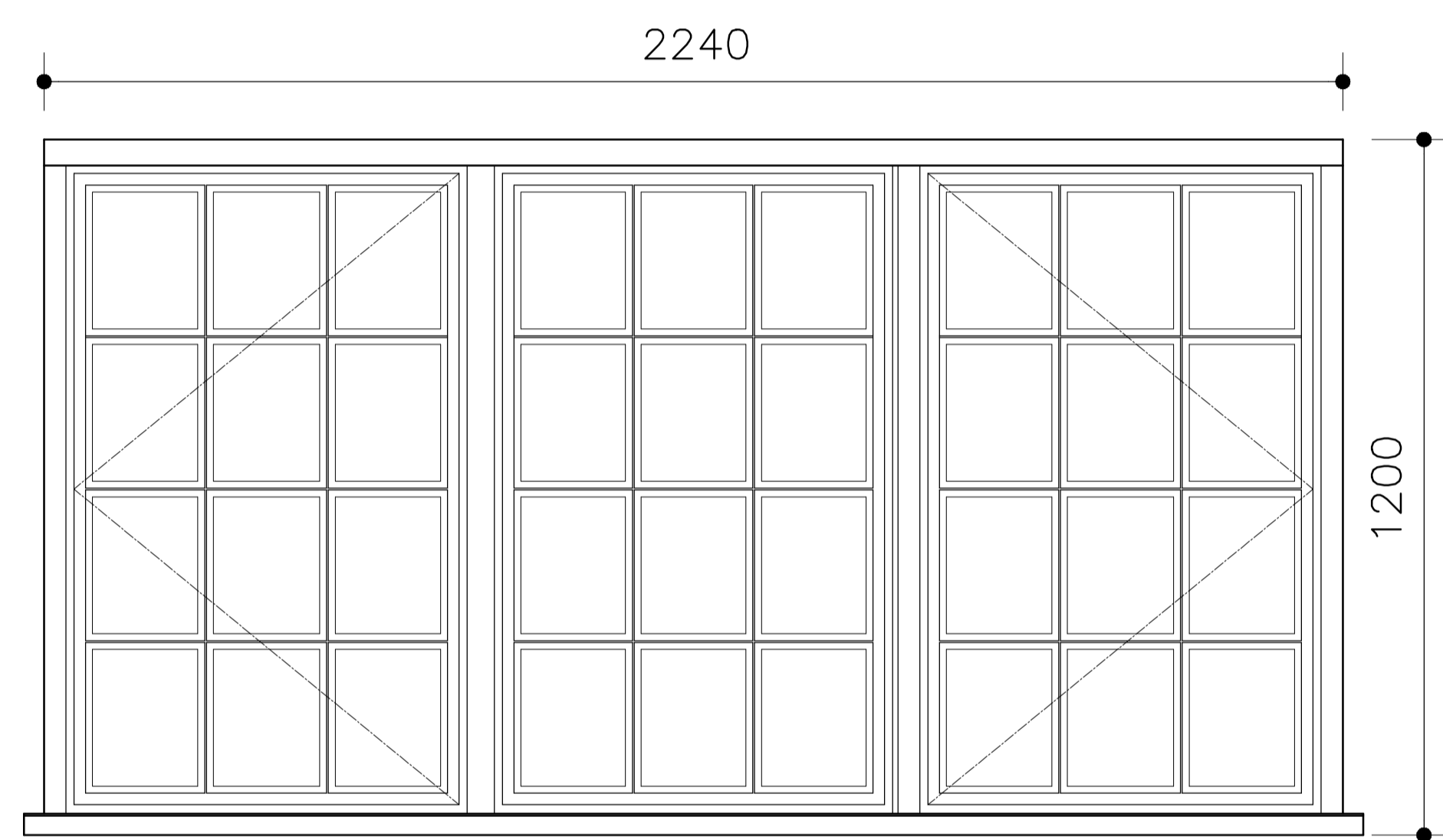
WF03 (internal)



WF01 (external)

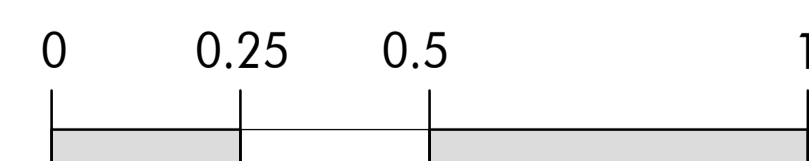


WF02 (external)

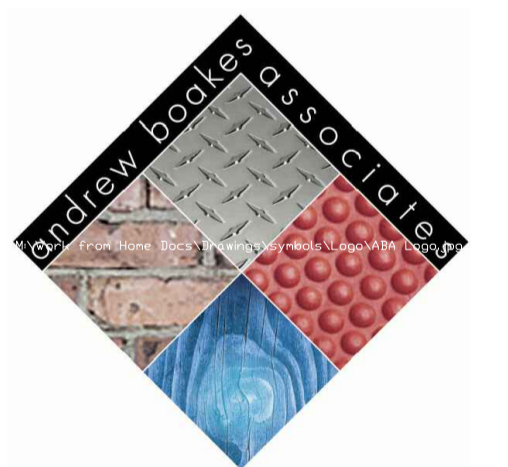


WF03 (external)

ALL DIMENSIONS TO BE CONFIRMED ON SITE



Scale 1:10



chartered architect

T: 01732 356972  
 E: aba@abaarchitect.com  
 W: abaarchitect.com

andrew boakes associates ltd registration number 4380837

job title  
 Stonelake  
 Chiddingstone Causeway  
 Near Tonbridge  
 Kent

drawing title  
 First Floor Window  
 Elevations

scale 1:10 @ A1 date Mar. 21

862/20 Rev.A