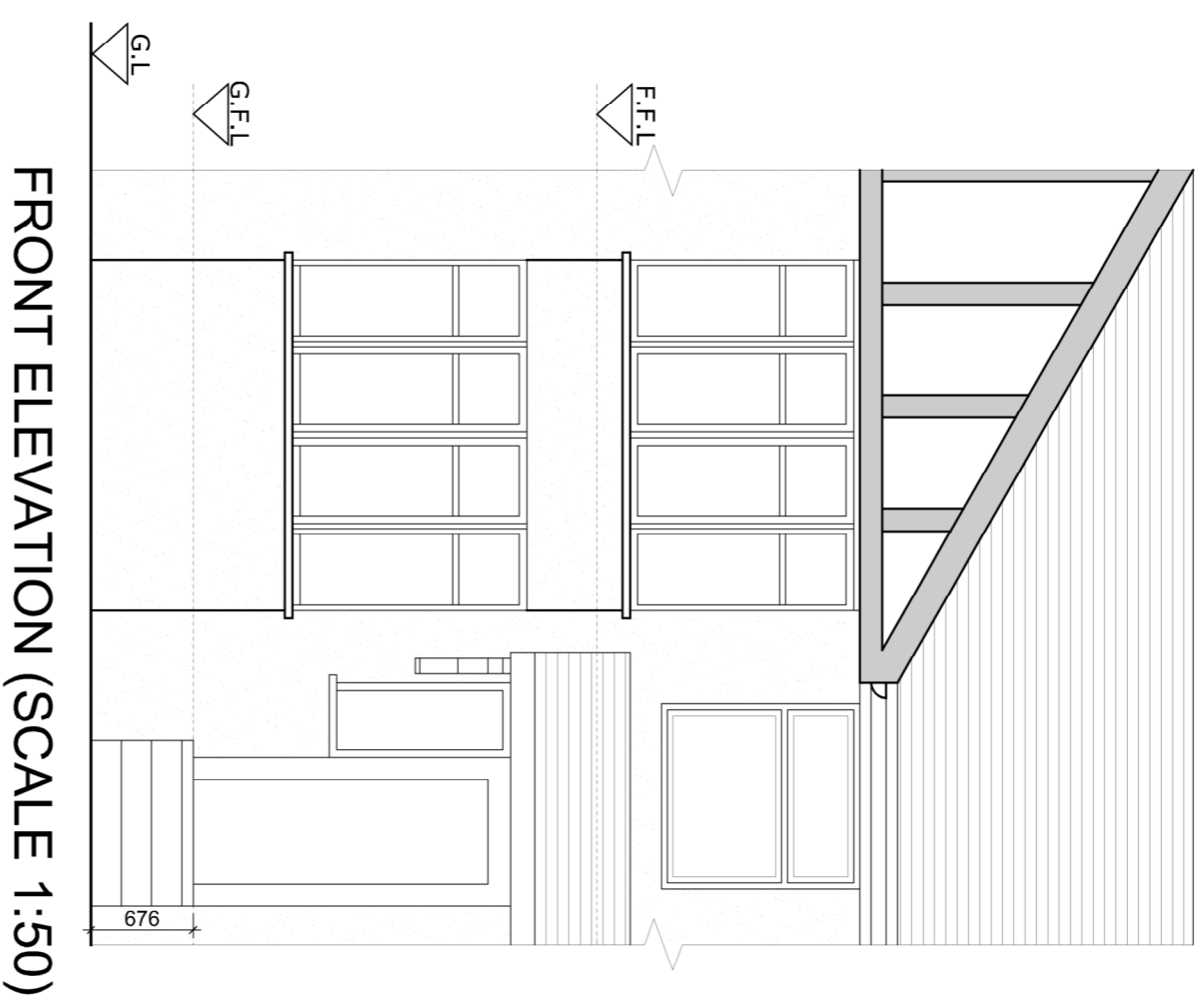
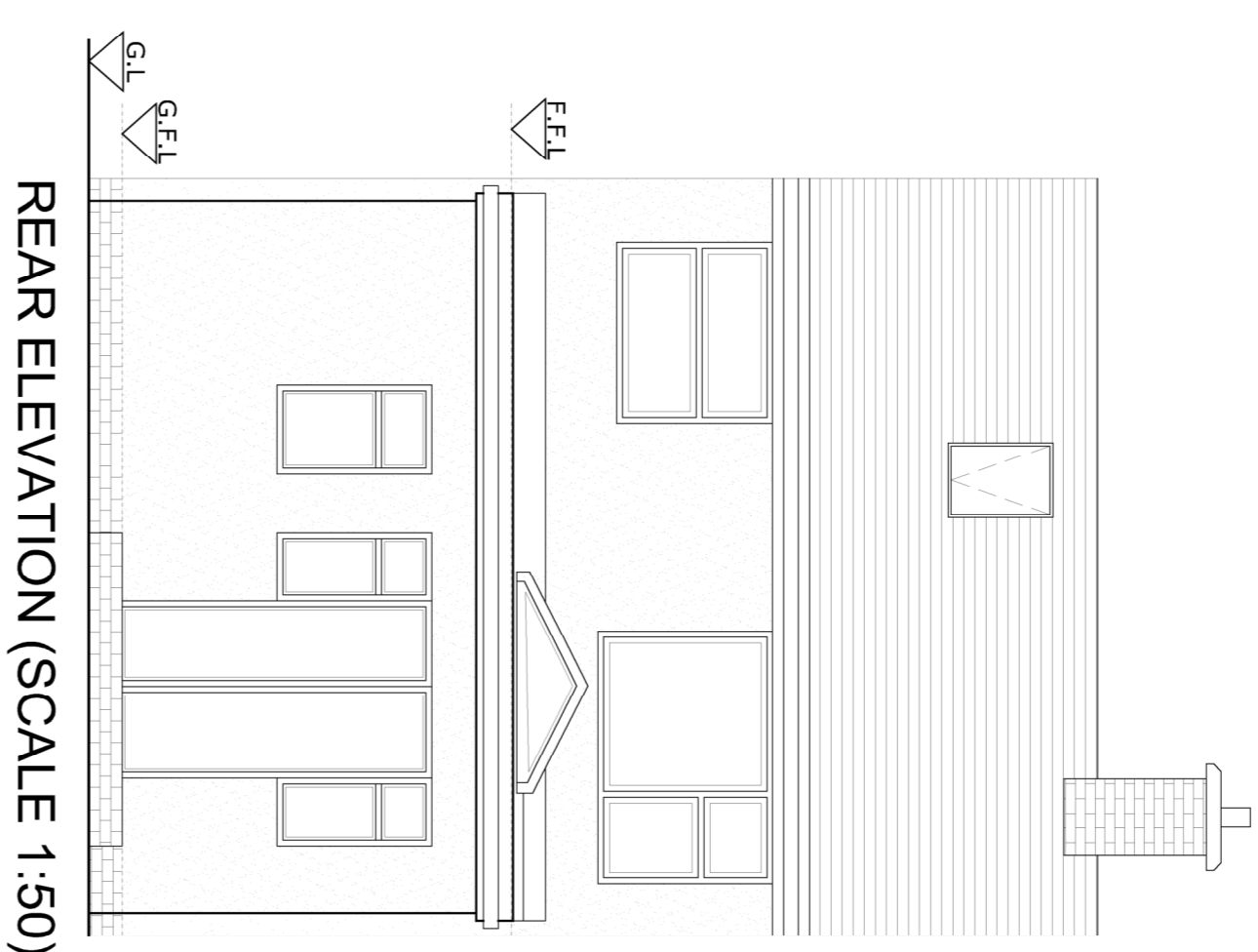


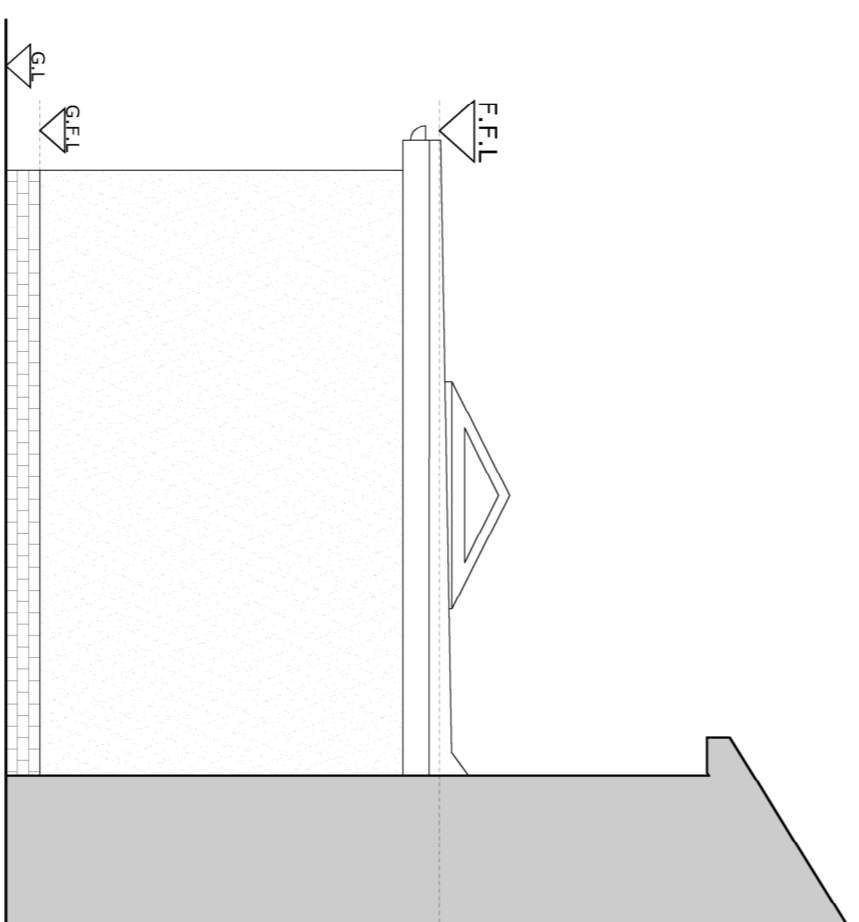
GROUND FLOOR PLAN (SCALE 1:50)



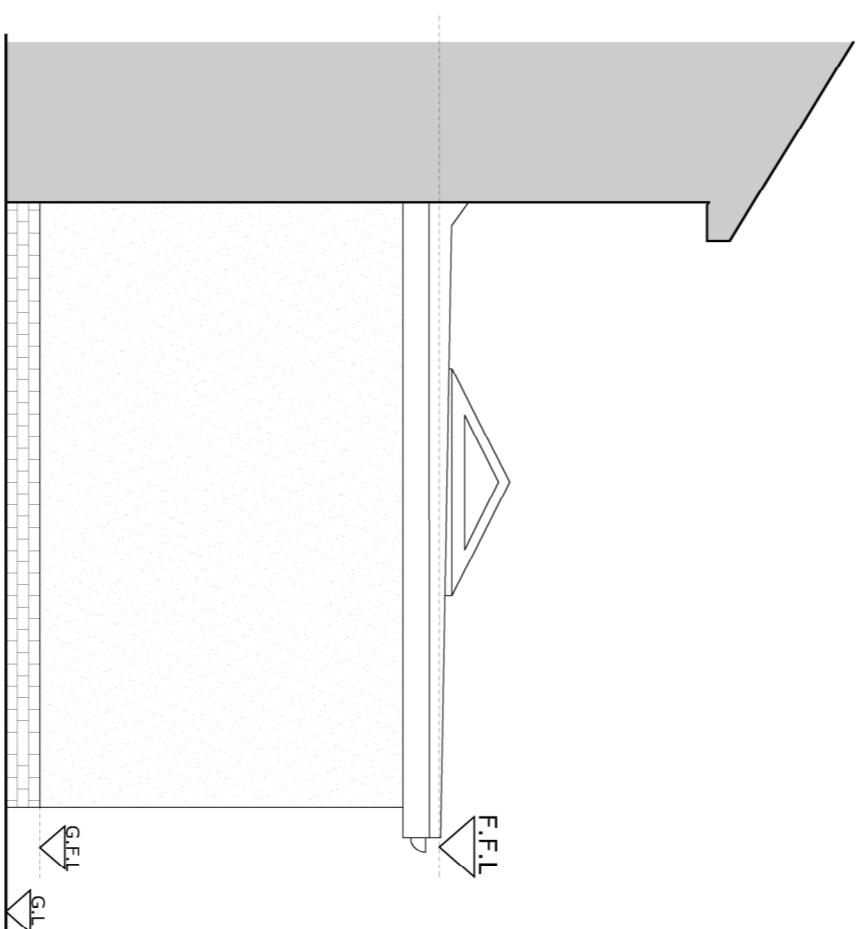
FRONT ELEVATION (SCALE 1:50)



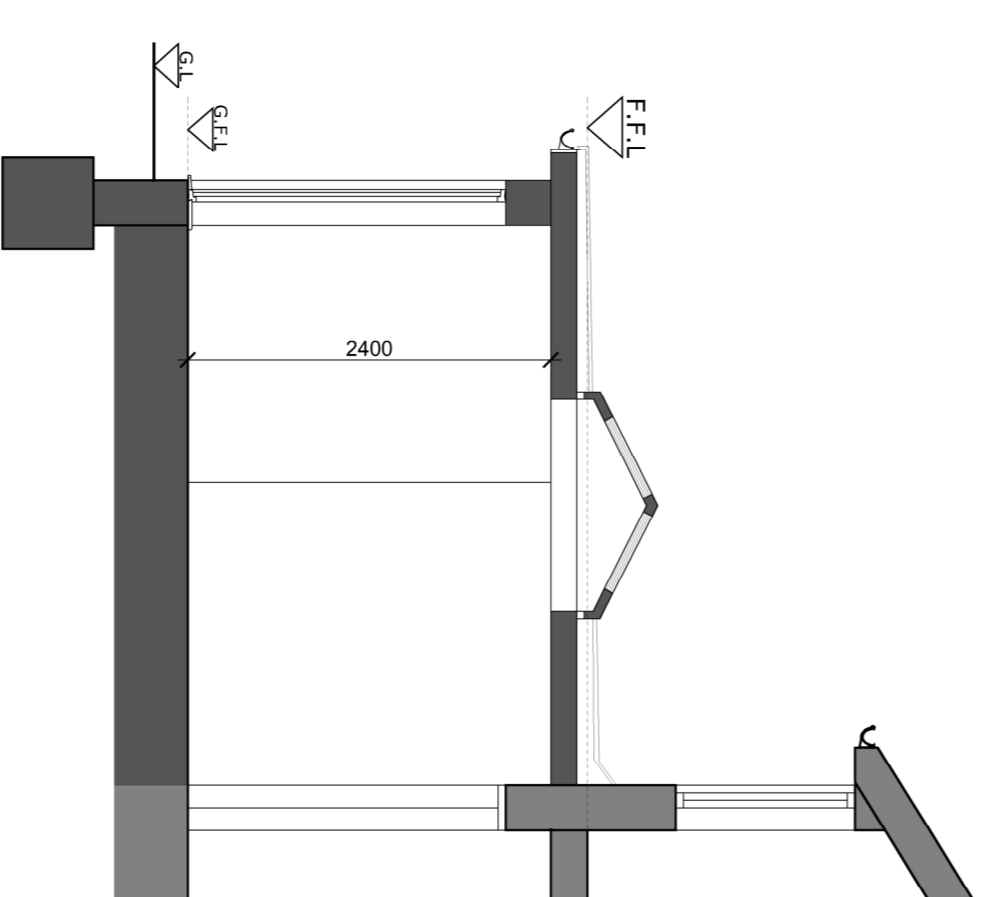
REAR ELEVATION (SCALE 1:50)



RIGHT ELEVATION (SCALE 1:50)

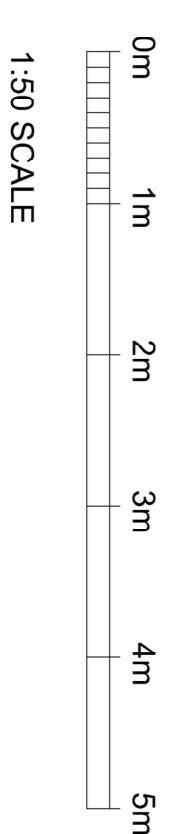


RIGHT ELEVATION (SCALE 1:50)



SECTION AA (SCALE 1:20)

This drawing is protected under copyright



1:50 SCALE

PROJECT

194 Parkside Avenue

CLIENT



PROJECT NUMBER

314

SCALE (@ A1)

1 : 50

REV

DRAWING NUMBER

PL004

SHEET

Proposed Drawing

DATE

05/08/21

DRAWN BY

AK

CHECKED BY

AK