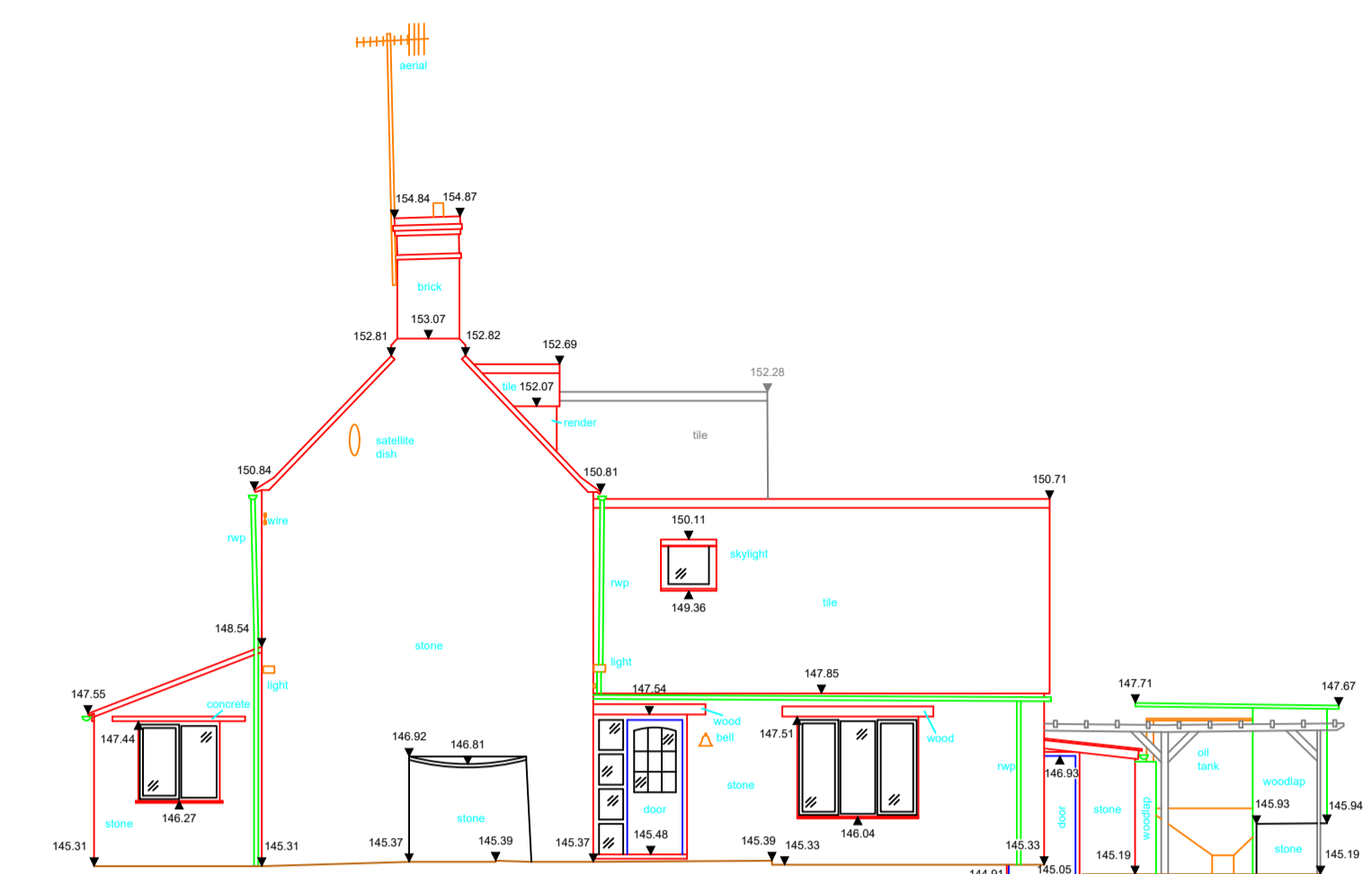
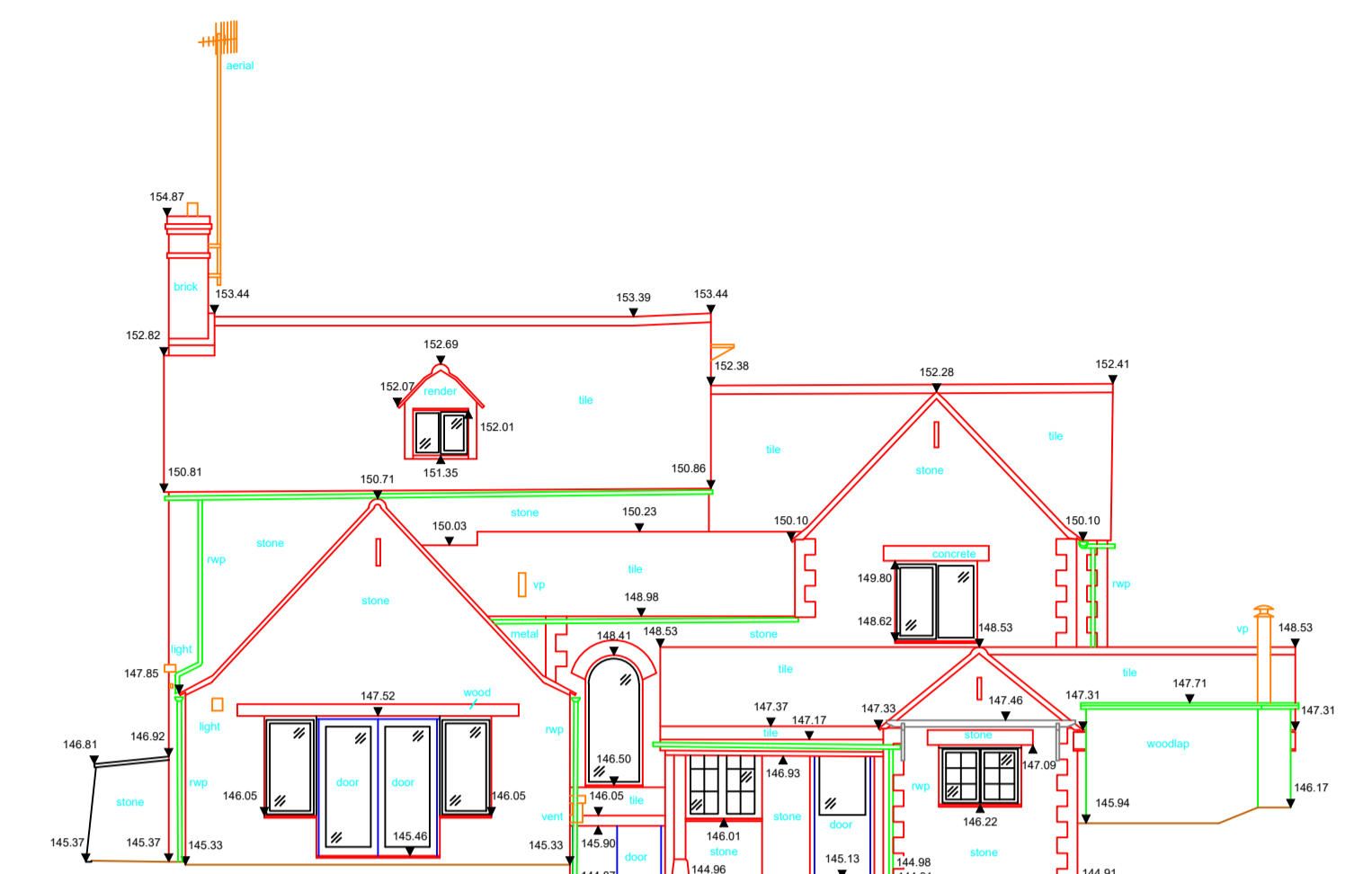


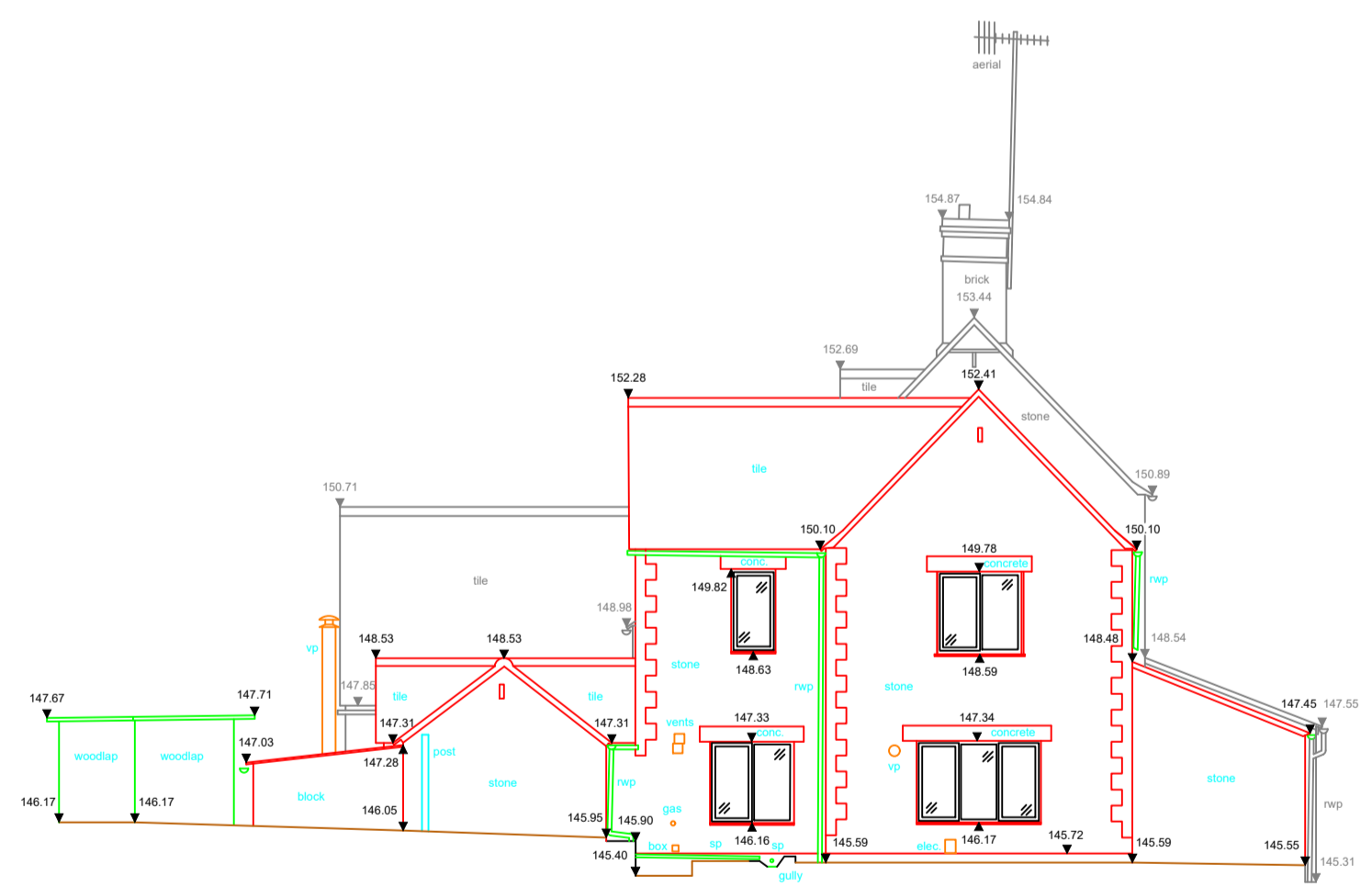
South East Elevation



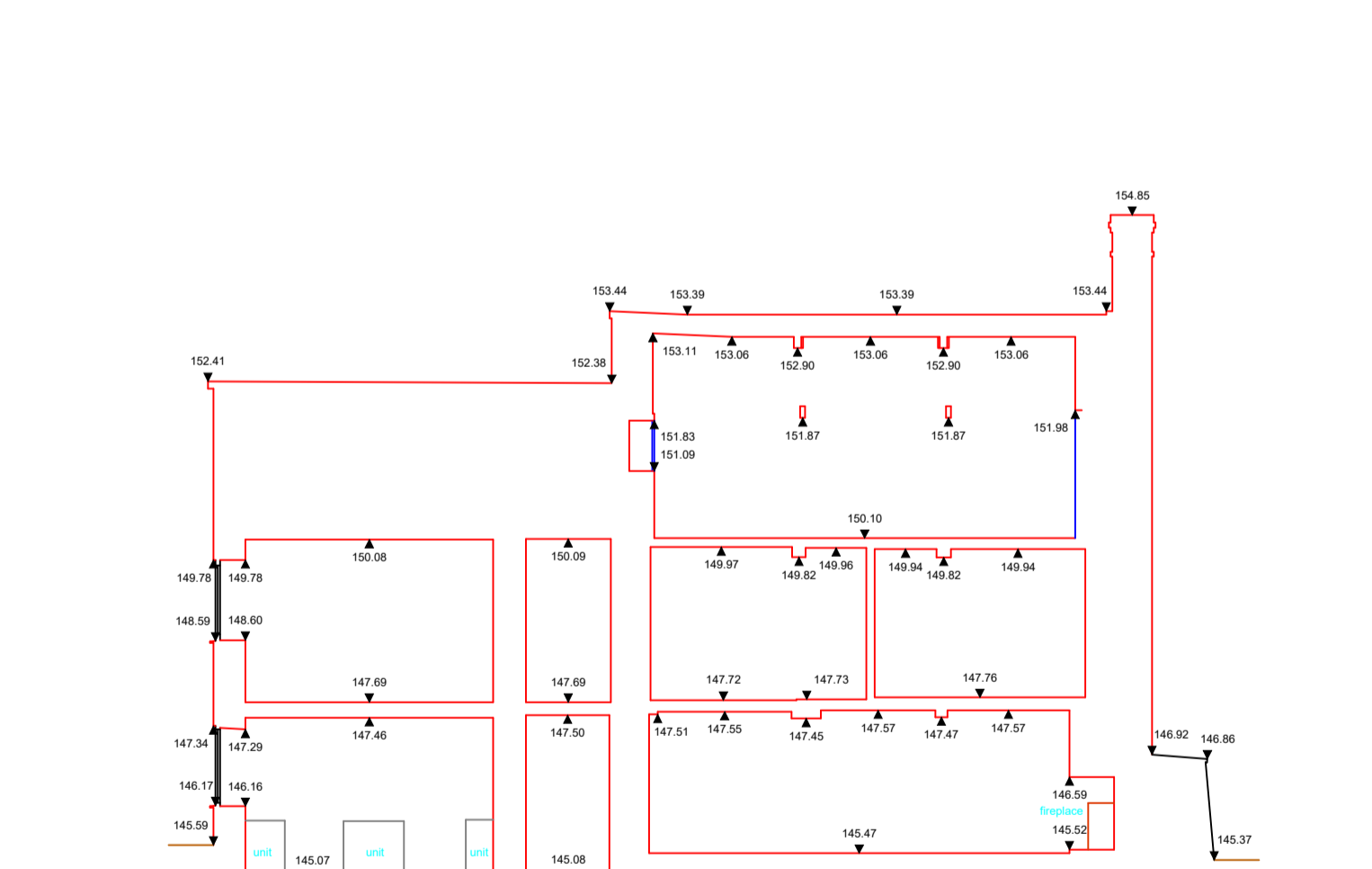
North East Elevation



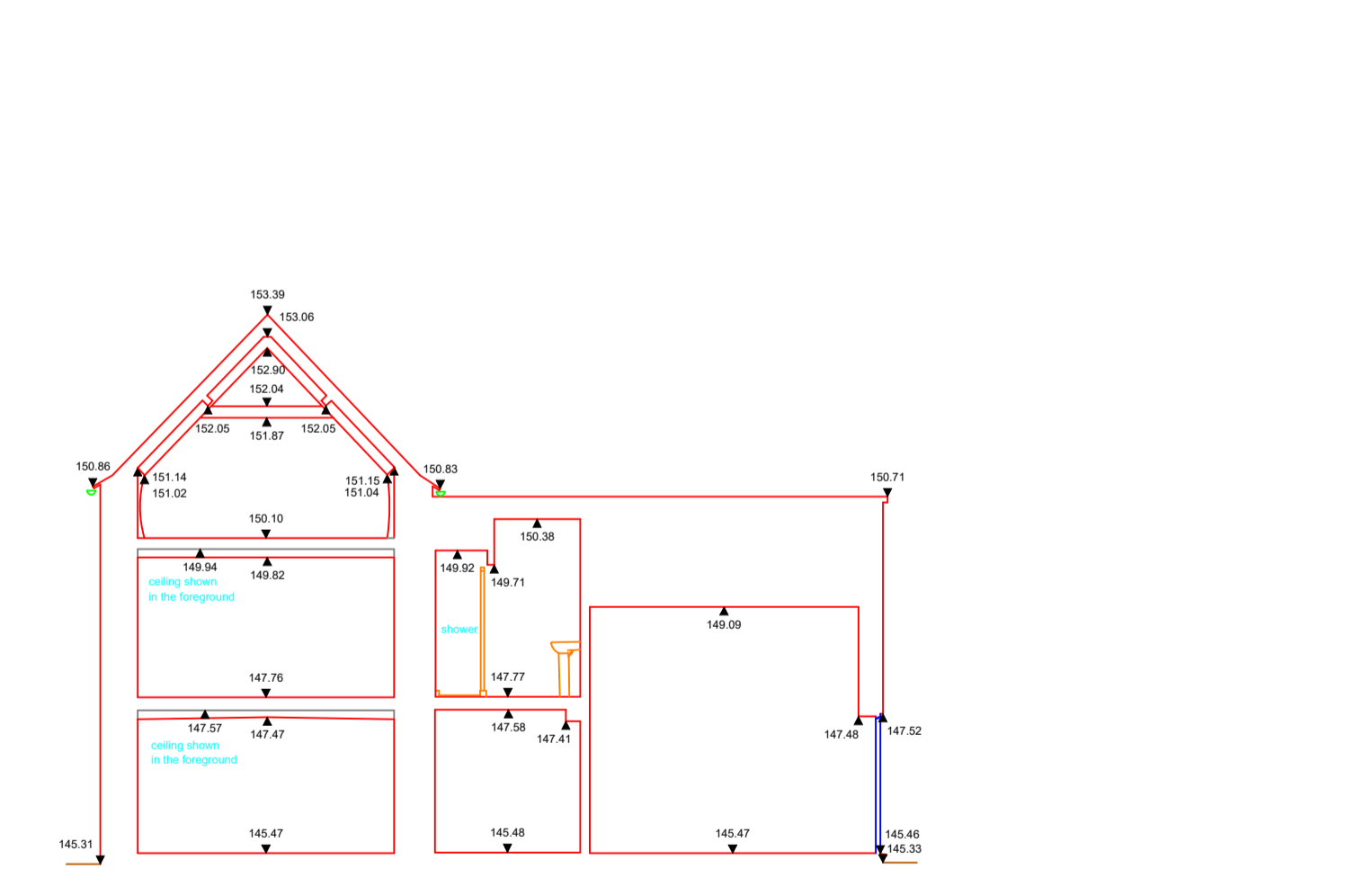
North West Elevation



South West Elevation



Section A



Section B

STANDARD REFERENCES

ABBREVIATIONS

ah	apex height	il	invert level
bh	beam height	mh	manhole
ch	ceiling height	rad	radiator
cl	cover level	rwp	rainwater pipe
csu	ceiling slopes up	sh	sill height
dh	door height	sph	spring height
fch	false ceiling ht.	svp	soil vent pipe
fl	floor level	utr	unable to raise
hh	head height	vhh	vent head height
ic	inspection cover	vp	vent pipe
		vsh	vent sill height

- Notes
1. This survey has been computed and drawn about the Ordnance Survey National Grid.
 2. All levels are in metres and relate to the Ordnance Survey active GPS stations.
 3. This survey was measured for a scale of 1:100, any subsequent enlargements should be verified on site.

Revisions

Clifton Surveys Ltd
 Topographical and Measured Building Surveyors
 1 Wellington Park
 Clifton
 Bristol
 BS8 2UR
 TEL: (0117) 9735898
 e-mail: info@cliftonsurveys.com
 web: www.cliftonsurveys.com

The copyright in the plans remain vested in Clifton Surveys Ltd who will grant an irrevocable licence for use by the client upon receipt of full payment. No liability for accuracy shall extend beyond the specified scale of graphical mapping. All services and critical dimensions should be field verified.

Surveyed	M Cormick	Date	January 2021
Drawn	R Proeva	Checked	February 2021

Drawing Title
**Elevations & Sections
 Foxbury Hill Farmhouse
 Middle Duntisbourne, Cirencester
 GL7 7AR**

Client
**SOTA DESIGN LTD
 Middle Littleton
 Evesham
 WR11 8AE**

Drawing No.	Scale A1 @
989/4647/5	1:100