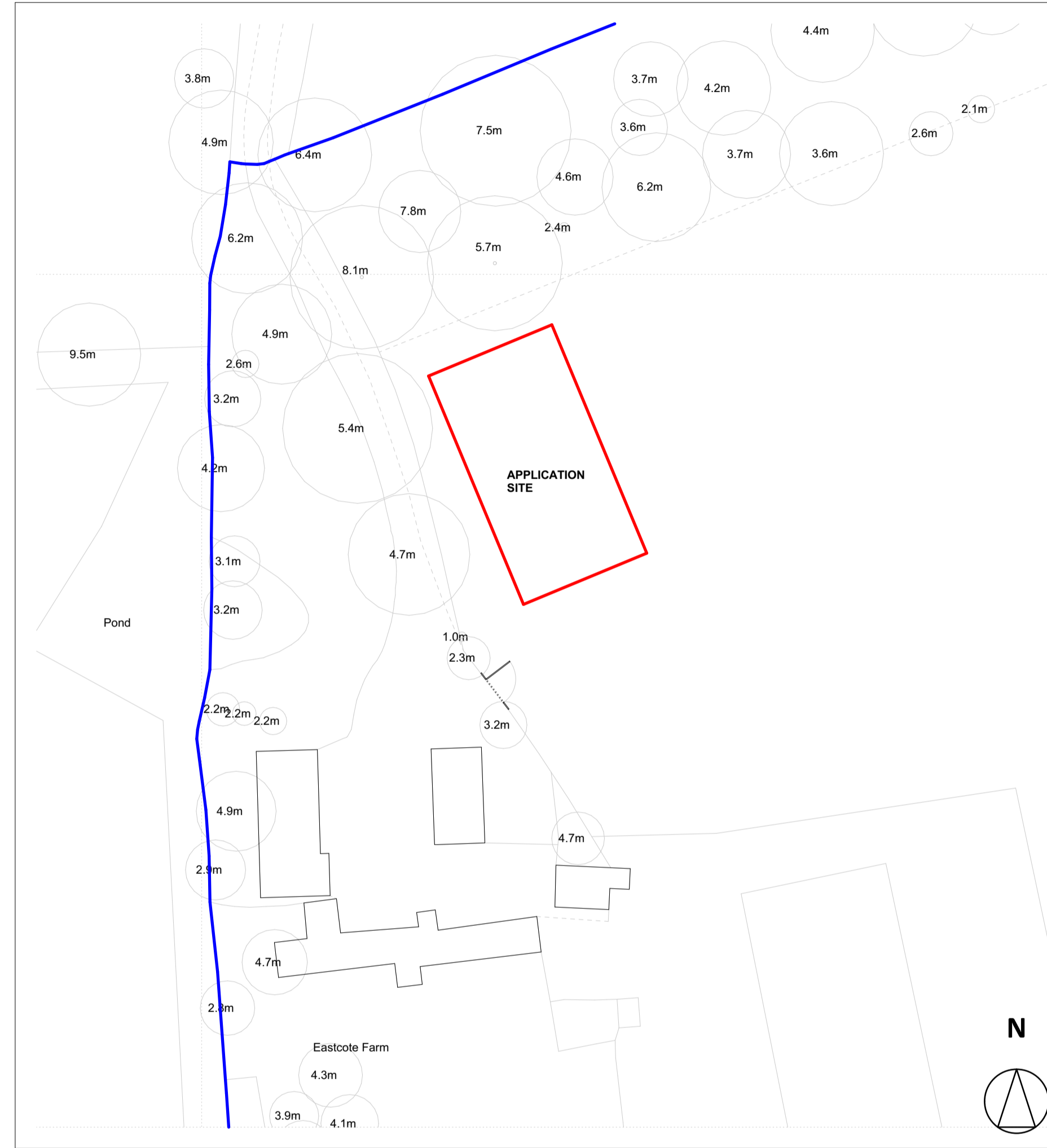




LOCATION PLAN AS EXISTING
1:1250@A1 / 1:2500@A3



BLOCK PLAN AS EXISTING
1:500@A1 / 1:1000@A3

GENERAL NOTES

The information contained in this drawing is representational and has been compiled, from a dimensional survey only and does not warrant nor certify the structure of the buildings or neighboring structures at the time of contraction.

The contractor is to visit the site to make himself acquainted with the building's and surroundings and undertake any investigation work or make all allowances to ensure that a full and final quotation for the works will be submitted, taking into account all eventualities.

All work and working practices on the site shall be carried out in accordance with the above and to ensure that there is no risk to the site operatives, visitors or public.

The contractor is to include all preliminary allowances to cover the prevention of accidents and injury. All workmanship and materials to comply with current relevant Building Regulations, British Standards and Codes of Practice. All materials to be stored, mixed and fixed in accordance with manufacturers instructions and recommendations.

All provisions for temporary means of support and regulations for Health and Safety at work to be applied.

All works to be carried out to the complete satisfaction of the Local Authority Building Control Officer.

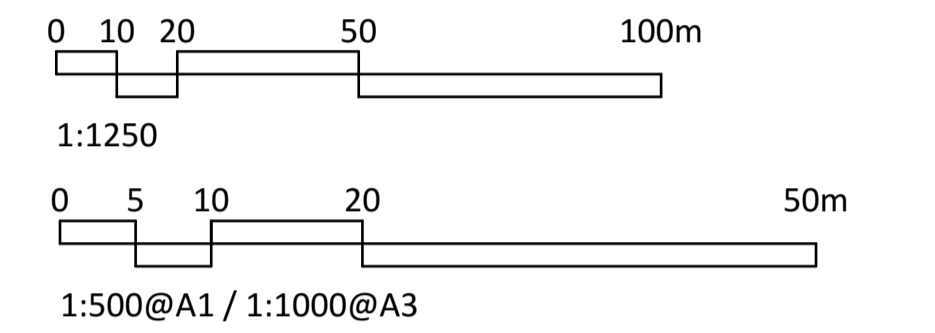
All works to be carried out in strict accordance with HSE guidance and the CDM regulations.

DO NOT SCALE the contractor must verify all dimensions prior to commencing shop drawings or works on site.

Exact setting out and final levels to be agreed on site.

To be read in conjunction with approved planning drawings

COPYRIGHT:
This drawing is the copyright of Cannon Clarke Architects. and must not be copied, re-issued or loaned without prior written consent of Cannon Clarke Architects. Any discrepancies and or conflicting information implied or specified is to be notified to Cannon Clarke Architects prior to construction on site. Construction should only proceed from drawings issued for construction purposes unless prior written consent is obtained. Should any site personnel, or those employed to carry out the works on their behalf, choose alternative materials or components to those specified on Cannon Clarke Architects drawings without prior written agreement then they do so entirely at their own risk.



A	22/10/2021	Planning issue
-	23/09/2021	First issue
no	date	revision

CANNON CLARKE ARCHITECTS

Ground Floor Chapel Jonathan Scott hall Thorpe Road Norwich NR1 1UH
01603 567415 www.cannonclarkearchitects.co.uk

COW SHED	
job	
Eastcote Farm Field, Dalling, Holt	
address	
Location and Block plan as Existing	Planning
drawing title	status
1:1250, 1:500 @A1	23/09/2021
scale	date
SS	AC
drawn by	checked by
1266	0001
job number	drawing reference
	A
	revision

This document and its design content is copyright ©. It shall be read in conjunction with all other associated project information including models, specifications, schedules and related consultants documents. Do not scale from documents. All dimensions to be checked on site. Immediately report any discrepancies, errors or omissions on this document to the Originator. If in doubt ASK.