

**GENERAL NOTES**

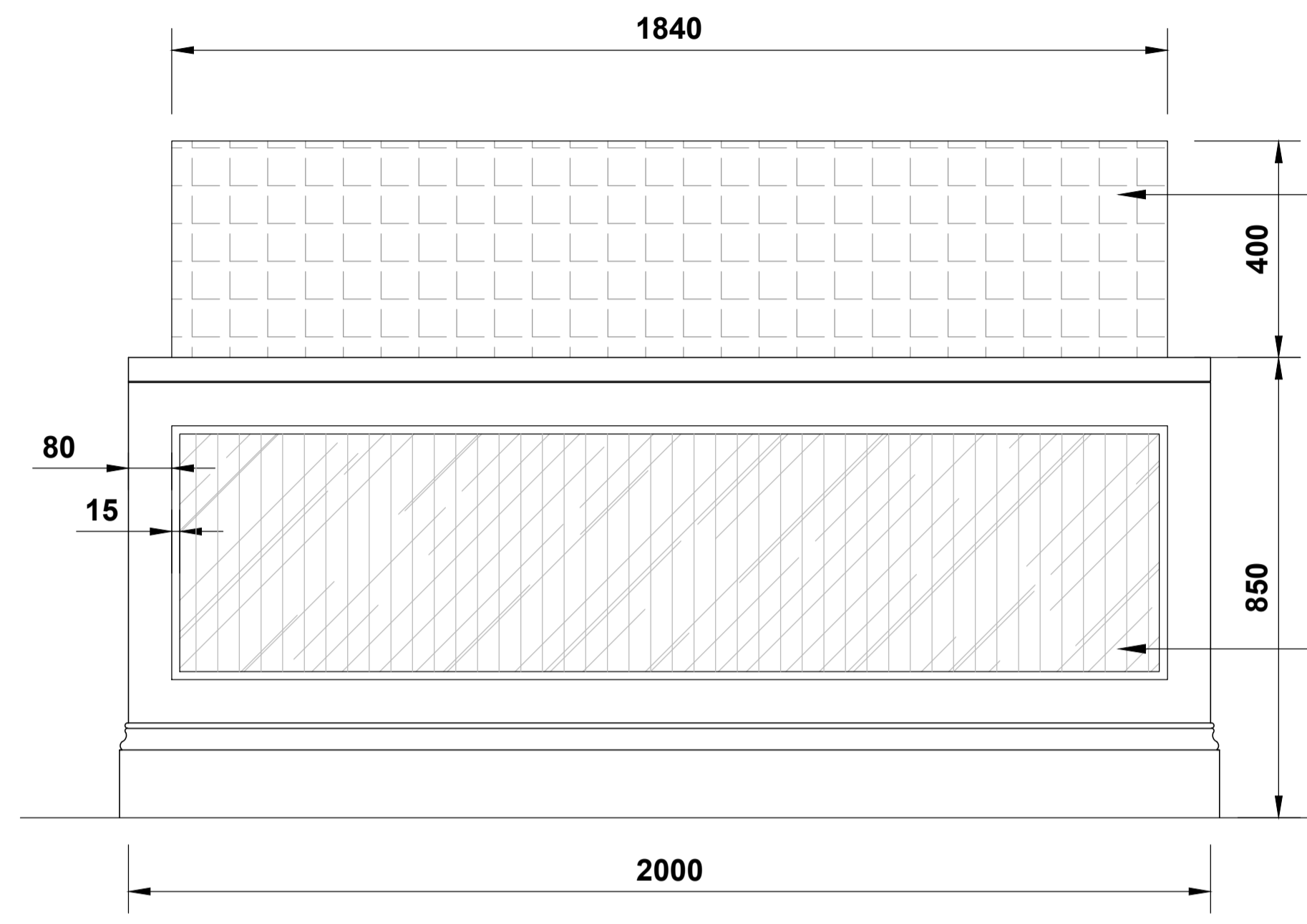
ALL DIMENSIONS TO BE CHECKED ON SITE PRIOR TO COMMENCEMENT OF WORKS - PLEASE REPORT ERRORS OR OMISSIONS TO THE ARCHITECT.

THIS DRAWING HAS BEEN PRODUCED FOR THE PURPOSES OF PLANNING AND BUILDING REGULATIONS APPROVALS ONLY AND IS NOT INTENDED TO BE A FULL WORKING DRAWING.

THIS DRAWING IS TO BE READ IN CONJUNCTION WITH ANY WRITTEN SPECIFICATIONS, SCHEDULES OF WORK AND STRUCTURAL ENGINEER'S DETAILS AS APPROPRIATE.

THIS DRAWING IS THE COPYRIGHT OF PUMP HOUSE DESIGNS AND ANY FURTHER REPRODUCTION OF THE PLAN IS NOT PERMITTED WITHOUT OBTAINING PRIOR CONSENT.

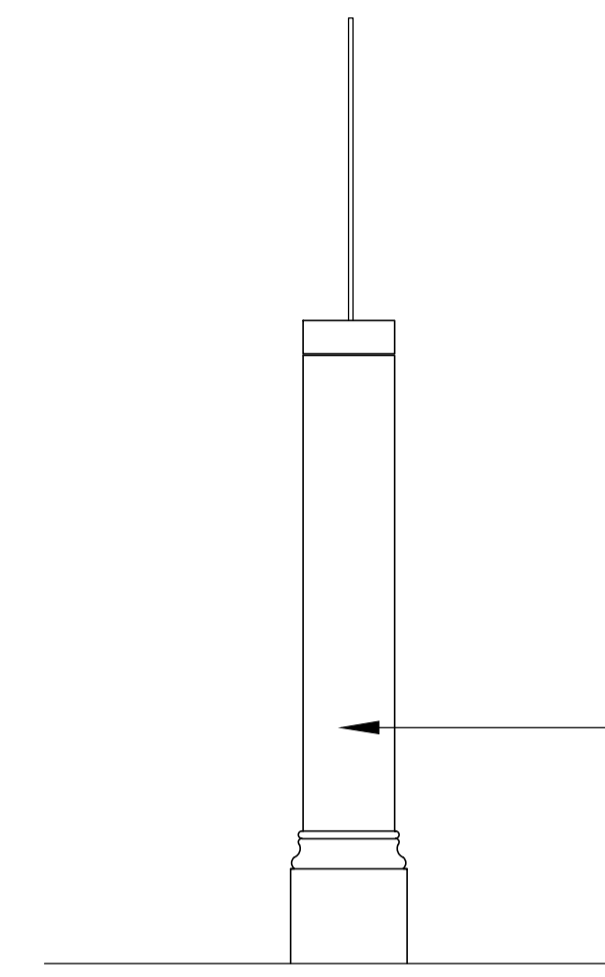
© CROWN COPYRIGHT - LICENCE NO. 100032237



SIDE ELEVATION

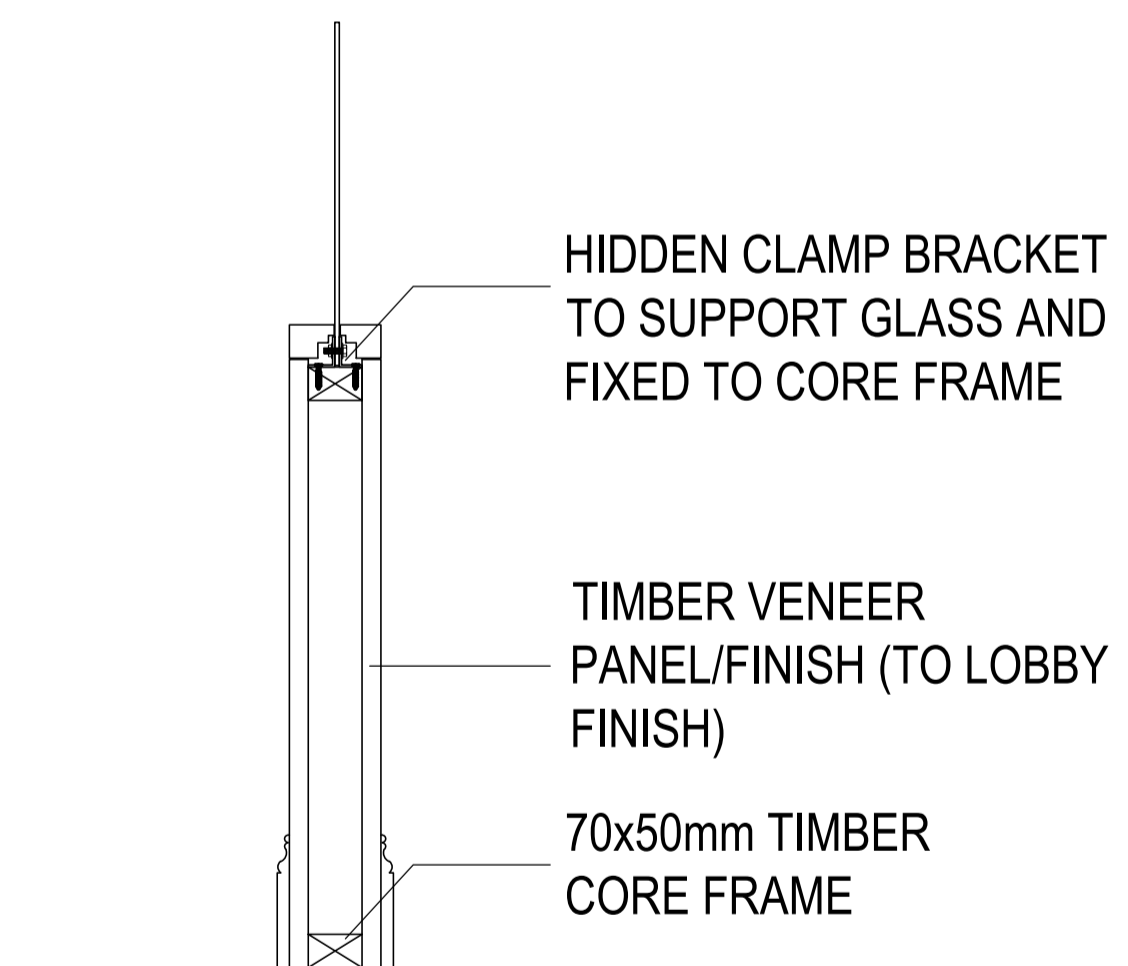
GLASS WITH ETCHED PATTERN TBC

INSET PANEL TO HAVE MIRROR STRIP FINISH MIRROR TO MATCH BAR GANTRY

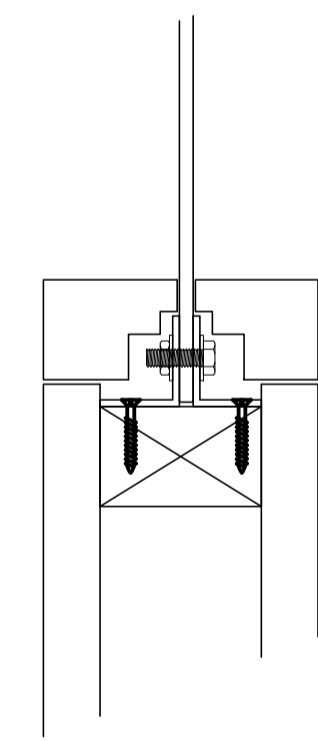


END ELEVATION

TIMBER FINISHED IN PAINT TO MATCH LOBBY - TBC

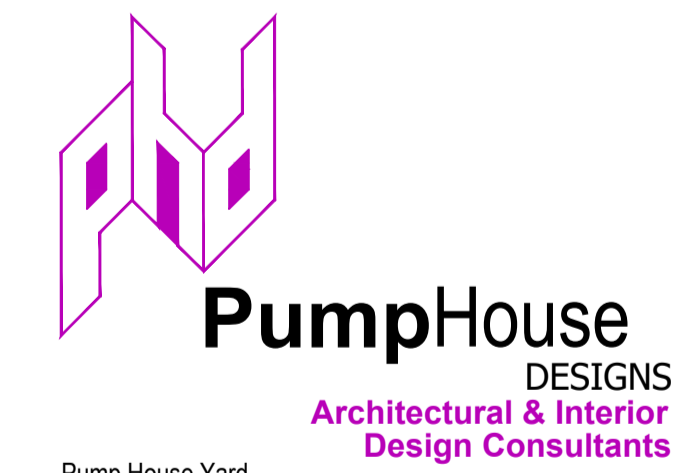
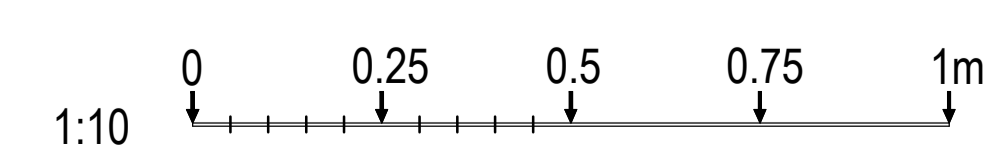


SECTION



SECTION EXTRACT / DETAIL

**NOTE**  
ALL DETAILS TBC BY CONTRACTOR FOLLOWING SITE VISIT



Pump House Yard  
The Green  
Sedlescombe  
East Sussex  
TN33 0QA  
info@pumphousedesigns.co.uk  
www.pumphousedesigns.co.uk

T: 01424 871120

F		
E		
D		
C		
B		
A		
YORK 2 ST HELENS SQUARE YORK YO1 8QP		
PROPOSED SCREEN DETAIL		
DRAWN BY - P BATEHUP		
DATE - AUG 2021		
SCALE - 1:10 @ A1		
DRAWING No. 4322 / 539 / 901		