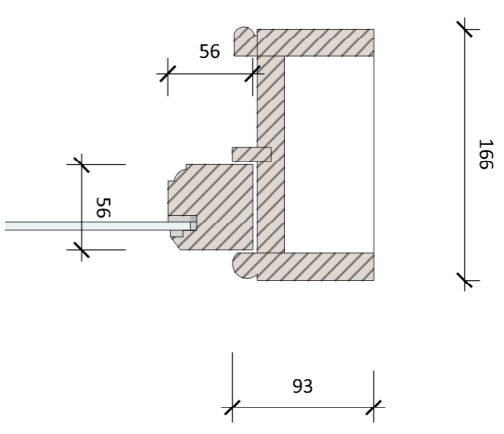


HAZARD / ACTIVITY LEADING TO UNUSUAL, SIGNIFICANT OR UNACCEPTABLE RISKS DURING CONSTRUCTION ARE IDENTIFIED ON THIS DRAWING AS:

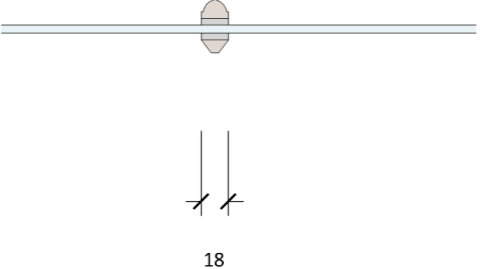


The list below identifies certain risks but does not cover all possible unusual etc situations which may be encountered during the construction process. It is also therefore the main contractor's responsibility to identify any further risks / hazards and take appropriate action.

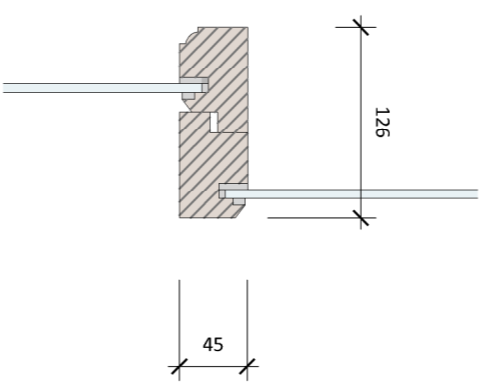
Risks / Hazards particular to this drawing are listed below in numerical references, please refer to architectural risk register for further details:
#####



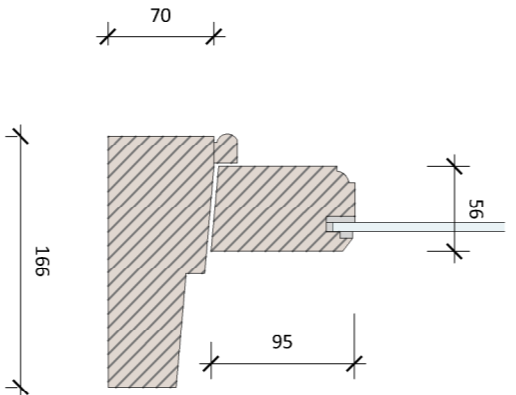
Typical Head Detail
Scale 1:5



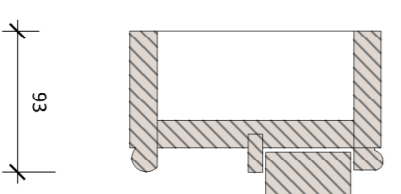
Typical Horizontal Glazing Bar Detail
Scale 1:5



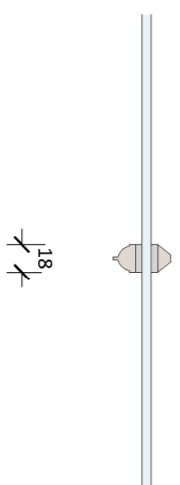
Typical Transom Detail
Scale 1:5



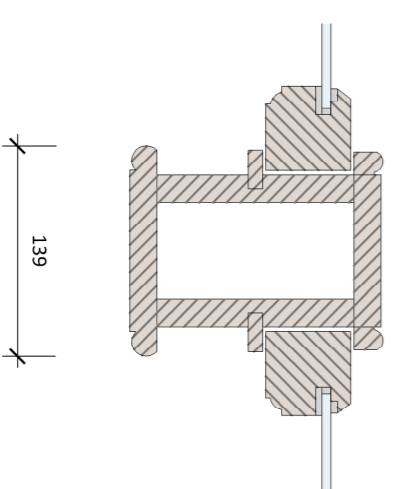
Typical Cill Detail
Scale 1:5



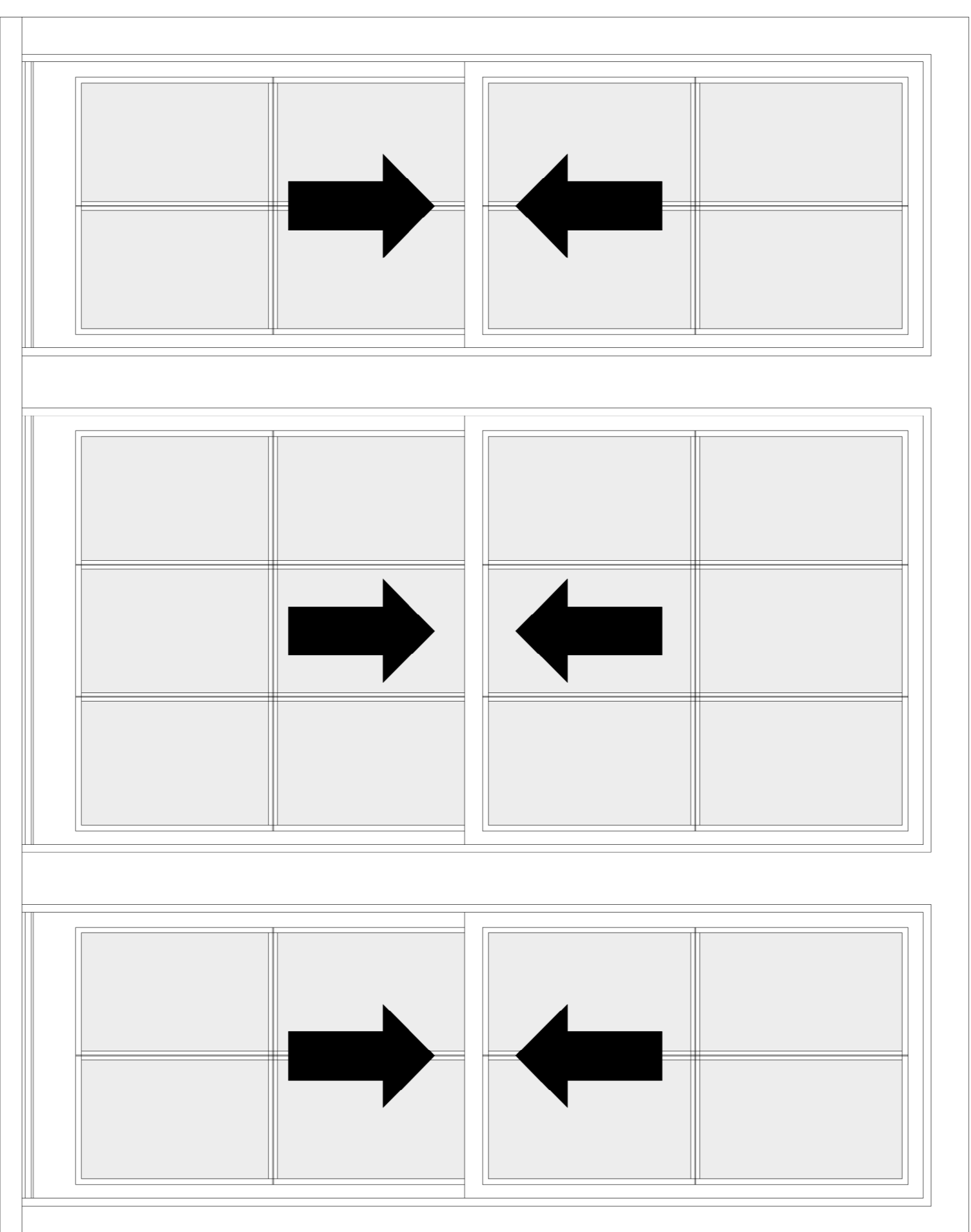
Typical Jamb Detail
Scale 1:5



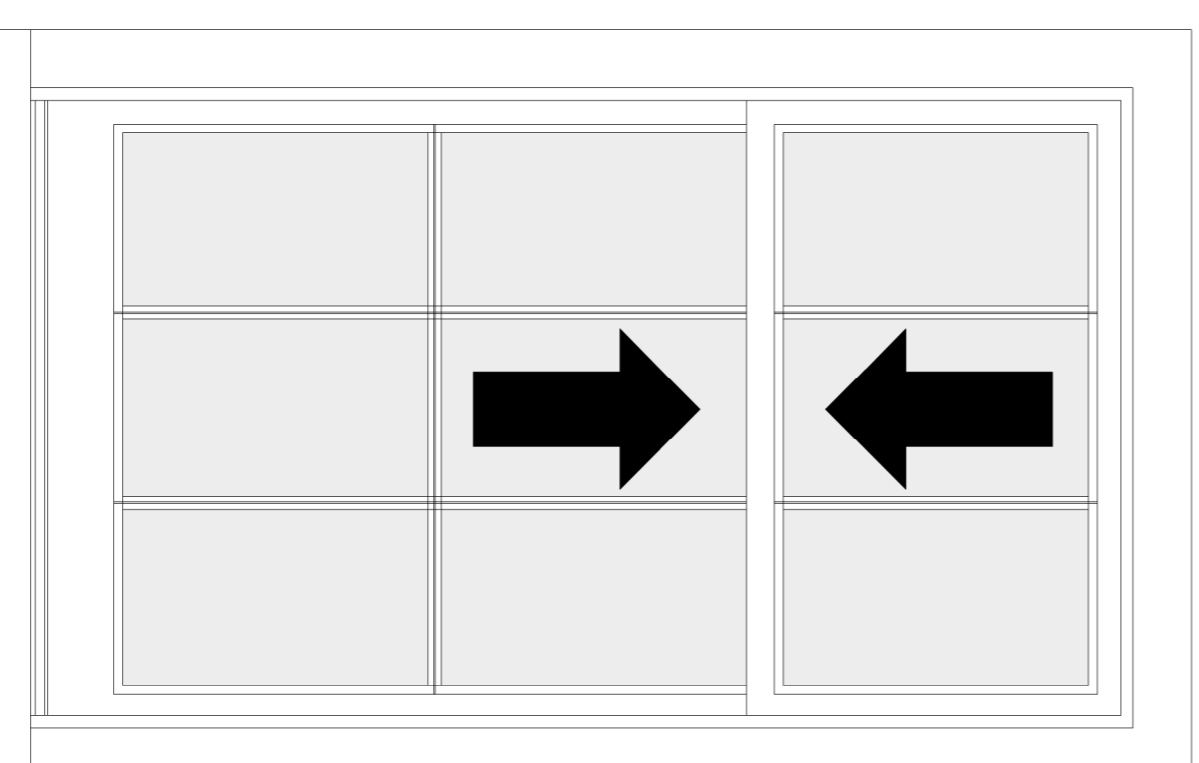
Typical Vertical Glazing Bar Detail
Scale 1:5



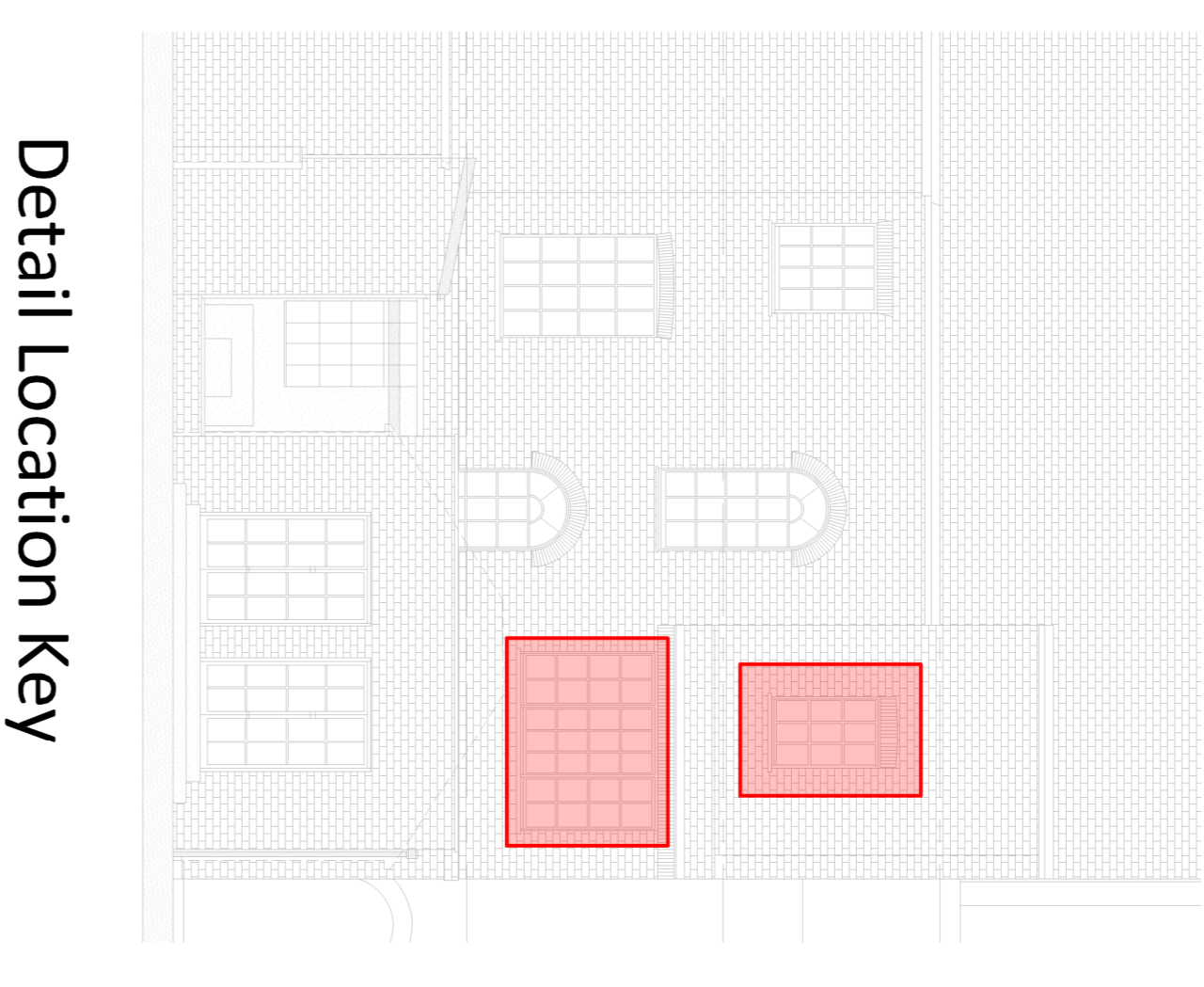
Typical Mullion Detail
Scale 1:5



Window Elevation - Type 2
Scale 1:10



Window Elevation - Type 1
Scale 1:10



Detail Location Key

Rev	Date	Drawn	Description	Checked
A	16.11.21	CC	Glazing updated.	

PRELIMINARY

Client: Ebor Construction Ltd
Project: Extension to 28 Gillygate, York
Title: Typical External Window Details
Drawing Number: Replacement Windows
Revision: CC - Muir

Issued from: York
Date: Nov/2021
Scale: 1:5 / 1:10 @ A1

Y-SB-BSP-09538-21-1205 A

LHL Group Property and Construction Consultants
Offices also in:
The Quadrant York, Scale 3
Bishopscroft Road
York YO23 1DE
1023 IDC
H13 002
01904 650699
01482 235999
Doncaster
www.lhlgroup.co.uk

