

# IR

TITLE NUMBER  
**NGL826576**

CITY OF WESTMINSTER

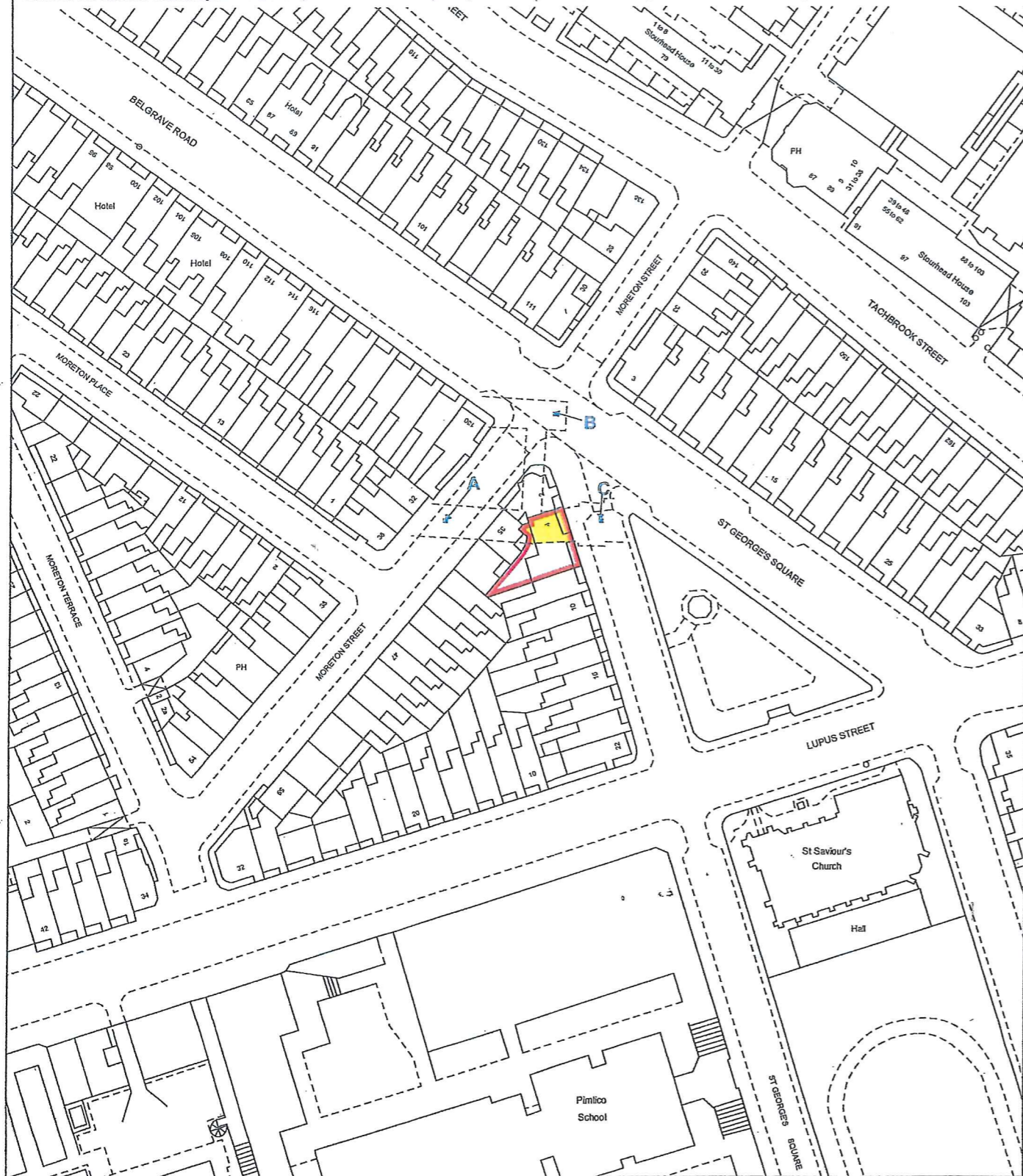


ORDNANCE SURVEY MAP REFERENCE:

TQ2978SW

SCALE 1:1250

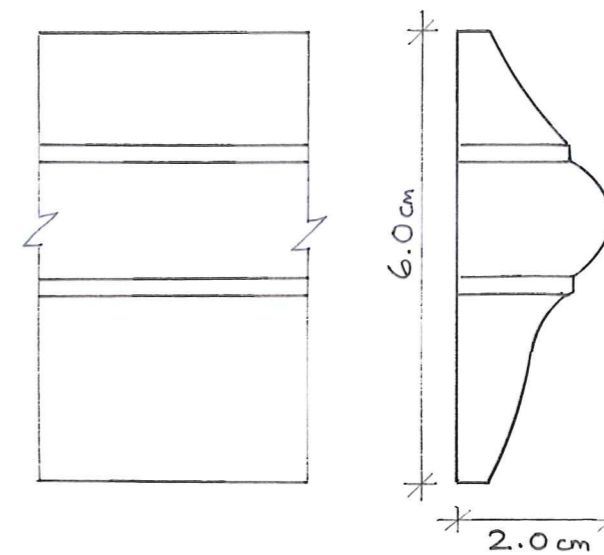
©CROWN COPYRIGHT. Produced by HMLR. Further reproduction in whole or in part is prohibited without the prior written permission of Ordnance Survey. Licence Number GD 272728.



This title plan shows the general position of the boundaries: it does not show the exact line of the boundaries. Measurements scaled from this plan may not match measurements between the same points on the ground. For more information see Land Registry Public Guide 7 - Title Plans.

This official copy shows the state of the title plan on 16 January 2004 at 14:29:40. It may be subject to distortions in scale. Under s.67 of the Land Registration Act 2002, this copy is admissible in evidence to the same extent as the original. Issued on 16 January 2004.

This title is dealt with by the Harrow District Land Registry.



DADO RAIL: FRONT AND SIDE ELEVATIONS

SCALE: FULL SIZE 1cm:1cm

ADDRESS

4-6 ST. GEORGE'S SQUARE, LONDON, SW1V 2HP

PROPOSAL

ADDITION OF AN INTERNAL DADO RAIL ON THE STAIRCASE AND LANDINGS OF THE GROUND FLOOR, 1ST, 2ND AND 3RD FLOORS OF THE COMMON PARTS

OUR REF: INTERNAL DADO RAIL

YOUR REF: 21/05690/FULL

DRAWING No.

IDR/LOCATION PLAN SCALE 1:1250/  
DADO RAIL SCALE 1:1/E