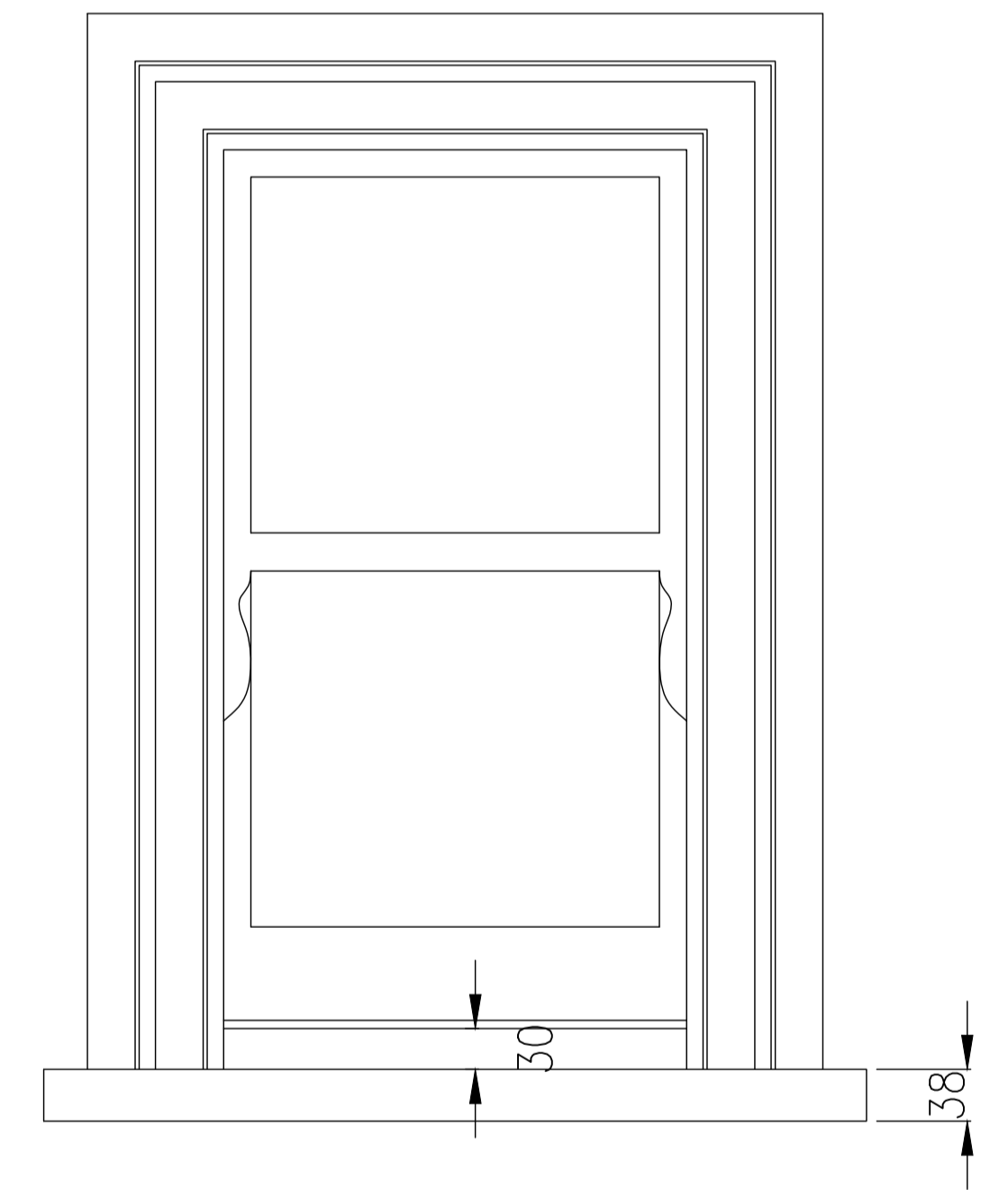
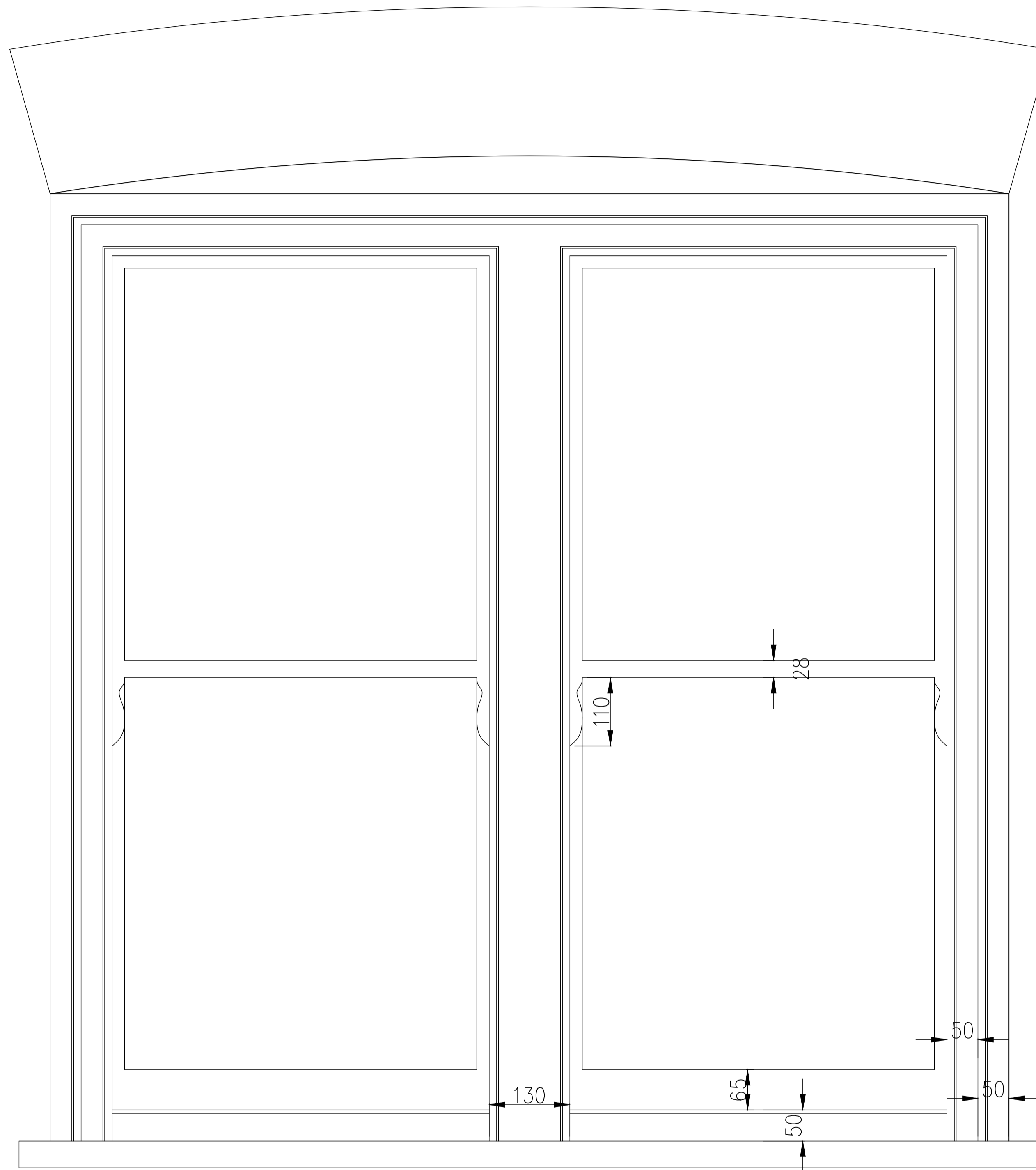
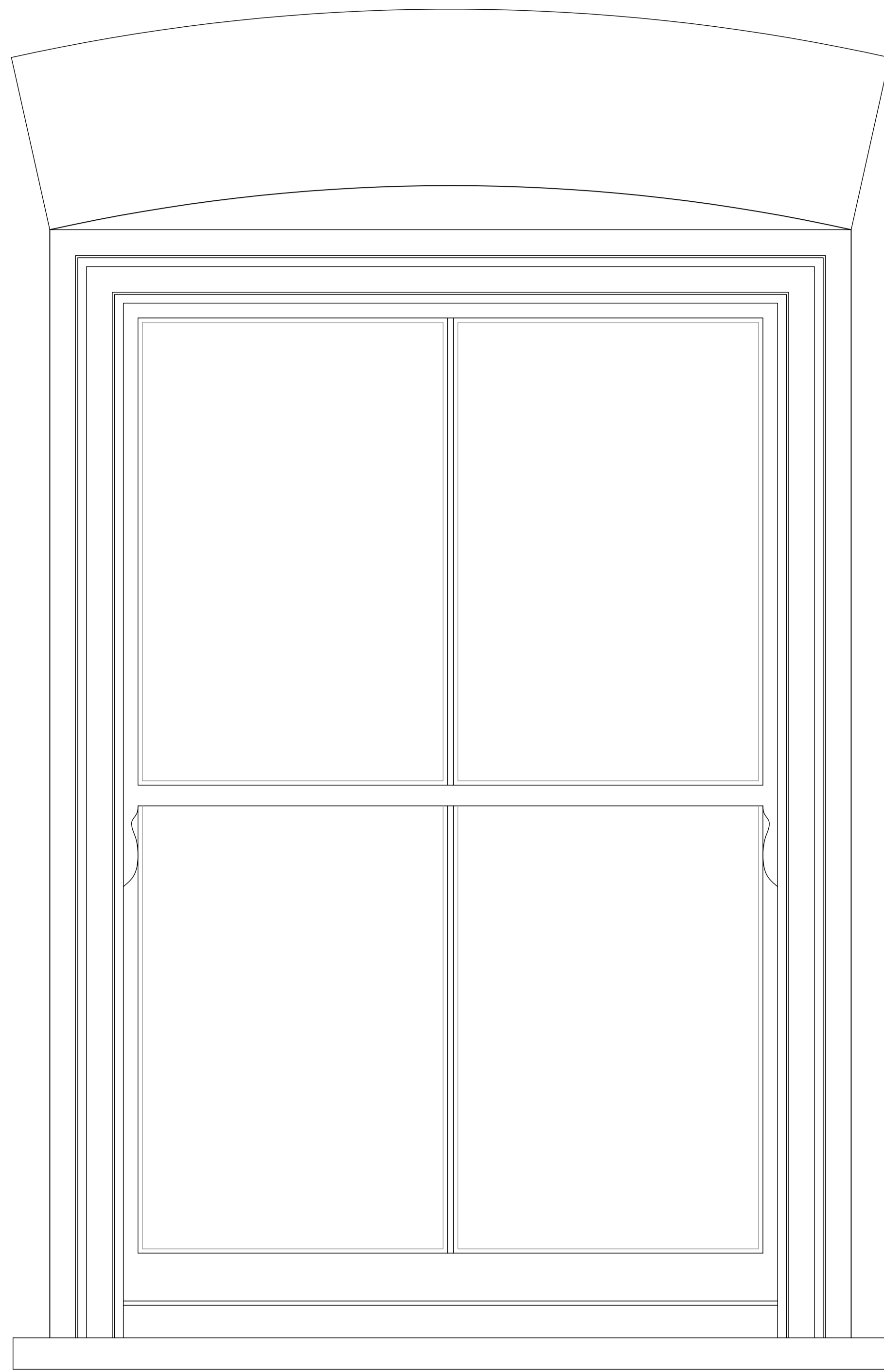


All Dimensions Shall be Checked on Site by the Contractor Prior to Commencement of Work on Site. Do Not Scale. If in Doubt Ask.



0mm 100mm 200mm

Scale Bar (1:5)

Typical window details and dimensions.

| Revisions | | Date | | |
|--|----------|---------|--------|--------------|
| Robert Farrow (Design) Ltd Consultants in Architecture Millar House, 32 Northgate, Hessle, East Riding of Yorkshire, HU13 9AA Tel: 01482 640699 Fax: 01482 647266 E-mail: rfd@farrow.karoo.co.uk | | | | |
| Client: Mr F Caley | | | | |
| Title: <u>Joinery Details</u> Proposed Replacement Windows at 1&2 Carr Farm Cottages, Flinton, East Riding of Yorkshire. HU11 4NG. | | | | |
| Scale | Drawn by | Drg no. | Date | Contract no. |
| 1:5 | R | 3 | July21 | 21062 |