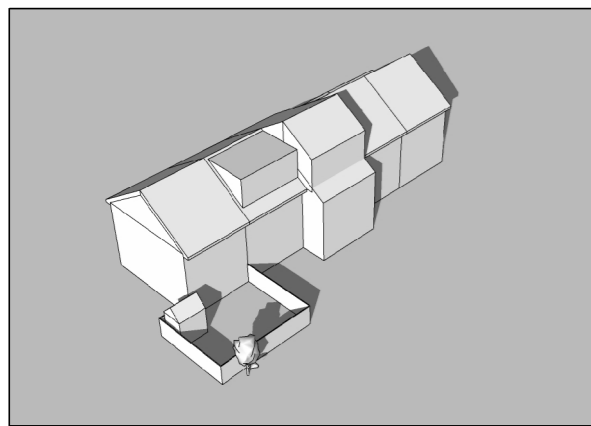


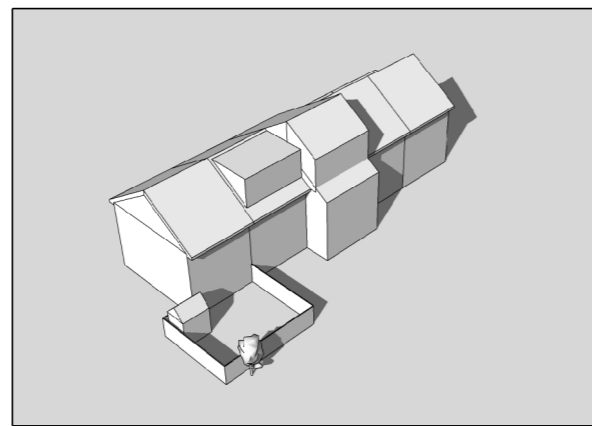
SHADOW STUDIES

Existing

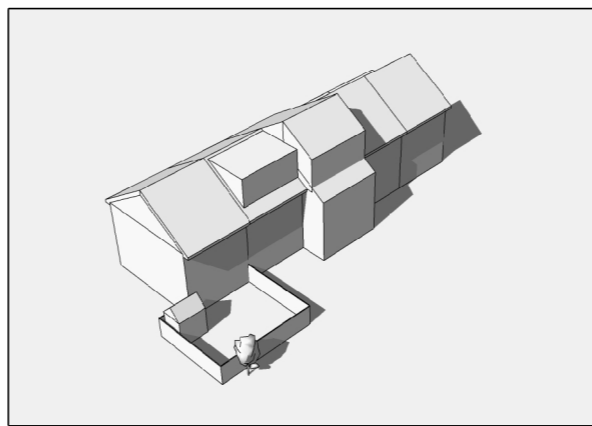
Study taken mid July of existing condition. From approximately 9 am the study shows the buildings cast shadows upon itself as the sun projects from the front of the buildings.



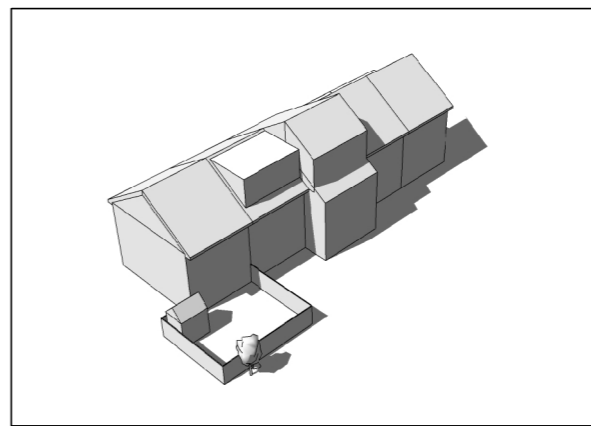
01 7.00 am



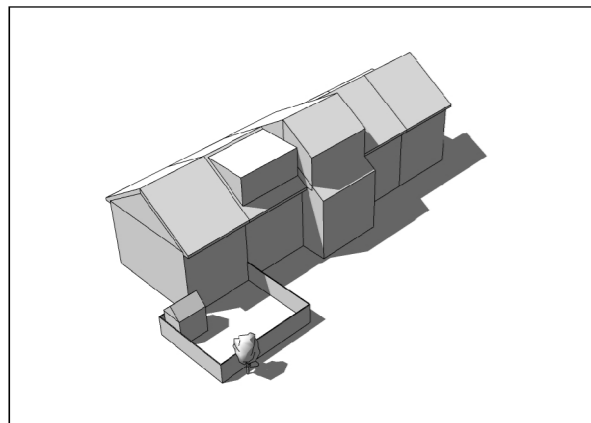
02 8.00 am



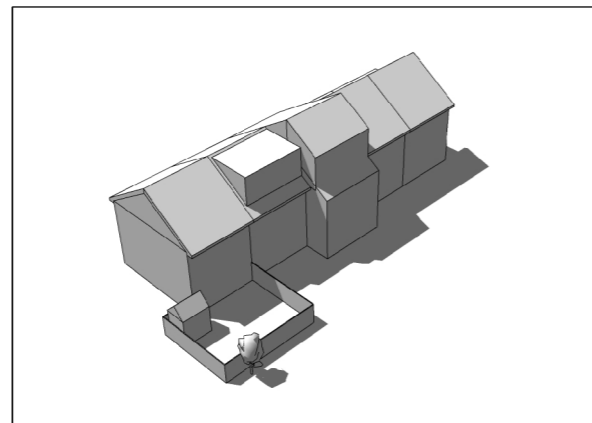
03 9.00 am



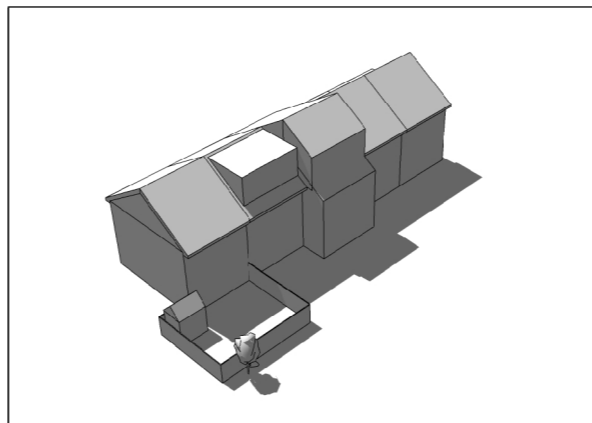
04 10.00 am



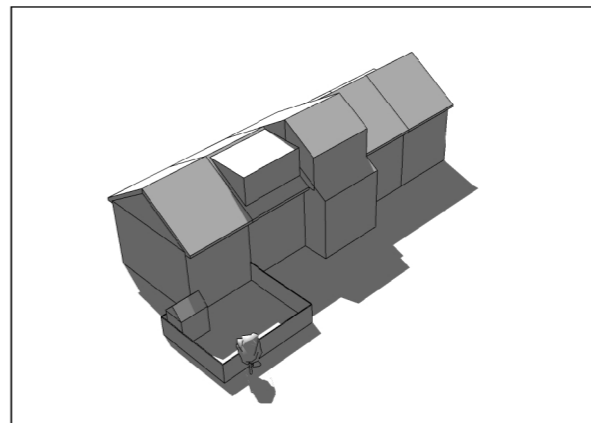
05 11.00 am



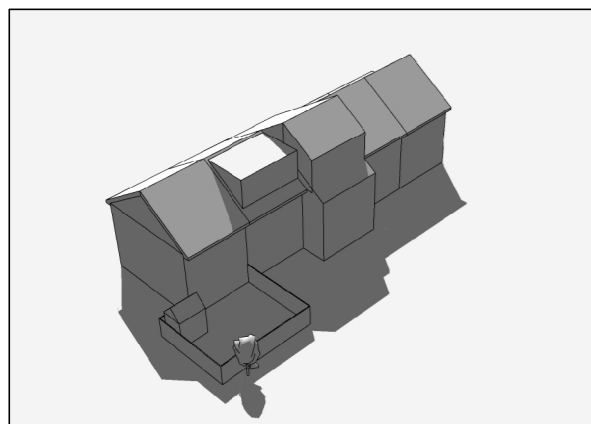
06 12.00 pm



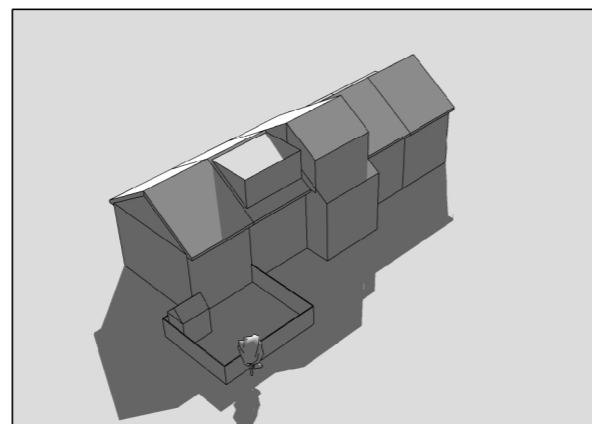
07 13.00 pm



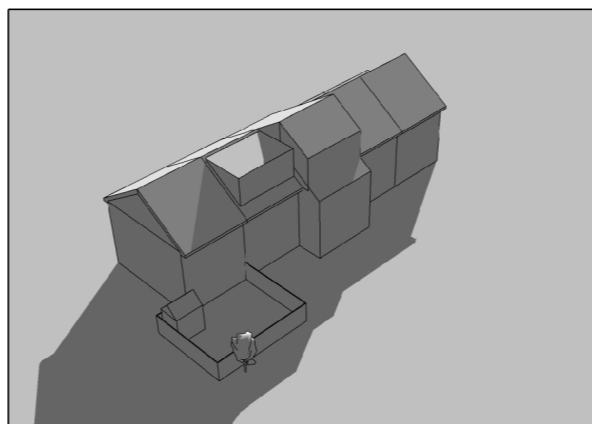
08 14.00 pm



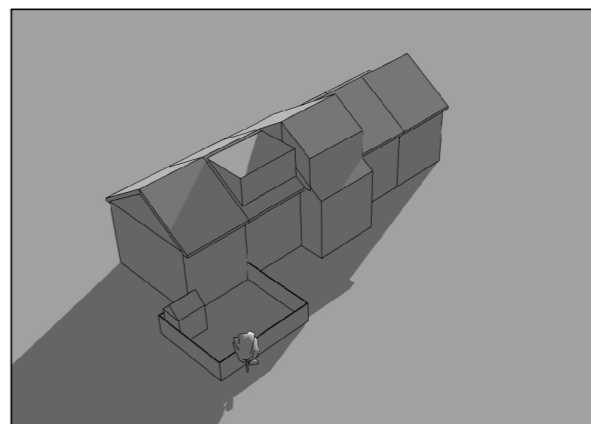
09 15.00 pm



10 16.00 pm



11 17.00 pm



12 18.00 pm

NOTE

Site Area = 91.76 sqm

Proposed additional GEA area:

Loft = 19 cubic metres

First floor = 14.37 sqm

Ground floor = 25.93 sqm

P00	Issued for planning	VT	VT	24.11.21
Rev	Description	Drawn	Chk d	Date

SAFETY, HEALTH AND ENVIRONMENT INFORMATION
Based on the use of experienced and competent contractors working to an approved method statement list unusual residual hazards / risks are listed below or the statement 'NO UNUSUAL RISKS'

Construction	
C1	
C2	
Operations	
O1	
O2	
Maintenance	
M1	
M2	
Dismantling / Demolition	
D1	
D2	



10 Fishermans Drive, SE16

Existing

Shadow Studies

STATUS	PROJECT NO.			
Planning	10.FD			
DRAWING NUMBER				
A	10FD PL - 105			
ORIGINATOR	DATE	SCALE	SIZE	ISSUE
	24.11.21	n/a	A3	P00
CHECKED	APPROVED	NOTES		
VT	VT	USE FIGURED DIMENSIONS IN PREFERENCE TO SCALED. CHECK ALL DIMENSIONS ON SITE BEFORE FABRICATION OR SETTING OUT.		