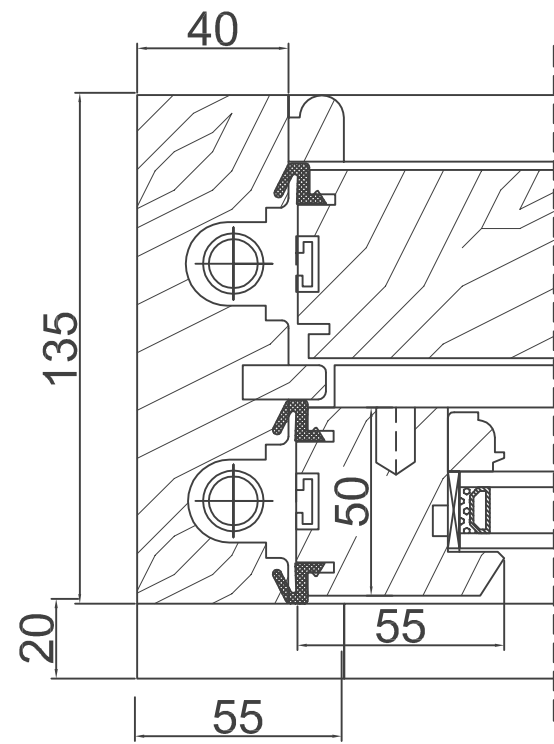
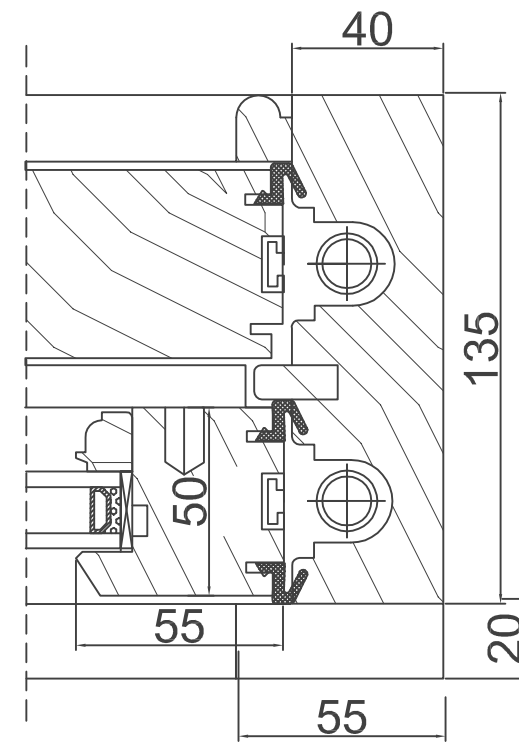


Spring Sash Detail @ 1:2



Spring Sash Detail @ 1:2



Notes

Written dimensions to be taken in preference to scaled dimensions.

Revisions

23 Westbourne Terrace Road
W2 6NF

Proposed Window Details

Arita Andrews
Formar Ltd
aritaandrews@yahoo.co.uk
London Fields
07891696267

Date	Scale	Job. No.	Code	Dwg. No.
Oct 2021	1:2@A3	230		230-15