

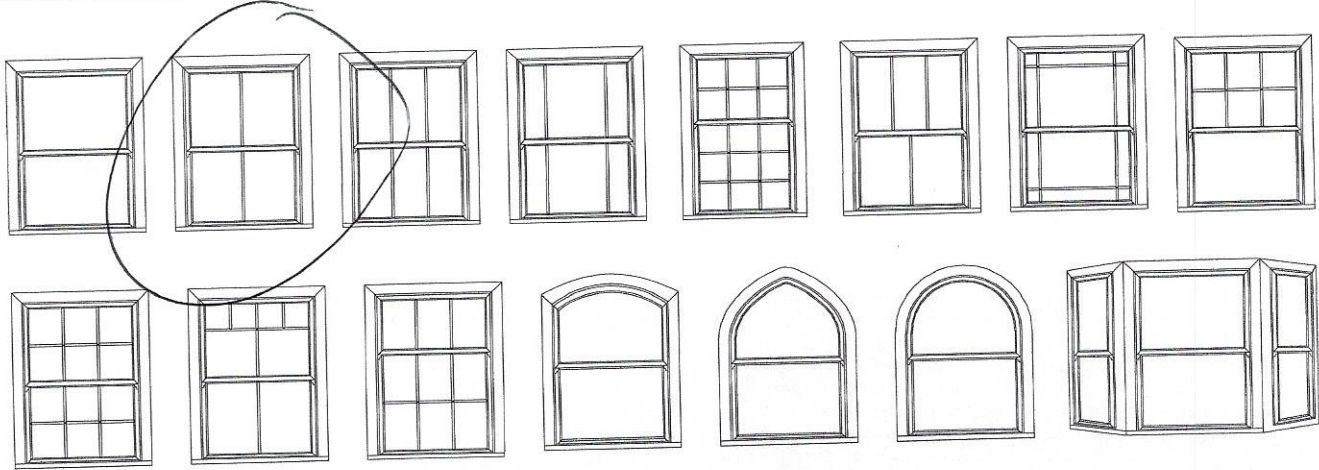


A

## Sash Window Styles

ECOSlide PVC-U vertical sliding sash windows are available in a range of popular sash window design styles to provide 21st century modern replacements for original windows, including splayed and 90° bay-style windows. We can also bespoke manufacture units in eye-catching architectural shapes such as True Arch, Gothic Arch and Swept Head windows.

Transom drops are 50/50 split as standard. Other transom drops can be manufactured to order, but the transom drop will be determined by the grid layout.



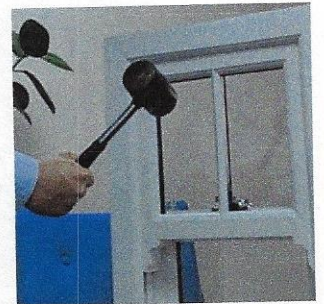
Other additional design options are available with internal Georgian glazing bars or external Astragal glazing bars.

### Toughened Insulated Glass

ECOSlide PVC-U vertical sliding sash windows feature double glazed sealed units with toughened glass in both top and bottom sashes, for enhanced safety and security.

High performance double glazed insulated glass units are 24mm in thickness (outer pane 4mm, airgap 16mm, inner pane 4mm) for optimum thermal efficiency.

Patterned obscured glass is ideal for bathrooms, toilets and other room locations as required. We offer a full choice of privacy glass styles.



We fit toughened glass in both top and bottom sashes.

### Privacy Glass Options



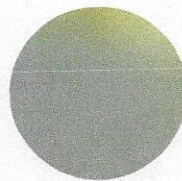
Contora™



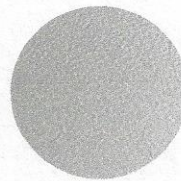
Charcoal Sticks™



Minster™



Satin™



Stippolyte™

Note: More patterned privacy glass options are available on request.

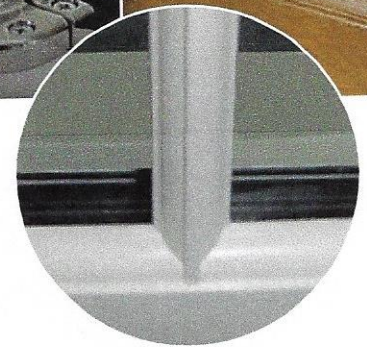
**ECOSlide**  
The No.1 Sash Window Brand



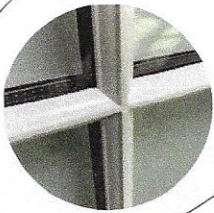
## Authentic Sash Details

ECOSlide PVC-U vertical sliding sash windows are as authentic-looking as possible, featuring slim profile sections with design aesthetics which are pleasing to the eye as well as offering improved views from the inside and outside.

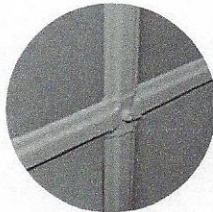
Our windows incorporate the same stylish features found on original timber sash windows such as Astragal glazing bars, decorative sash horns and traditional-style operating hardware. The jambs, sash sections and meeting rail are all engineered to look just like an original timber sash window.



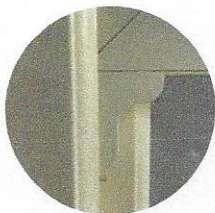
### Window Features



**Astragal Bars** are decorative sculptured bars that give the sash the illusion it has individual panes of glass. These are positioned on both the inside and outside of the glass with a Duplex spacer bar in the sealed unit.



**Georgian Bars** are internal decorative bars fitted within the double glazed unit that create a Georgian-style window effect. Available in widths of 18mm and 25mm.



**Decorative Sash Horns** are placed on the outside bottom of the top sash as an original feature. Horns must be specified with your quote/order.



**Cills** are available in front-to-back depths of 152mm (standard), 185mm and 225mm and feature our signature "anti-jemmy" security bar upstand. External top faces of all our ECOSlide cill profiles gently slope to efficiently shed and drain rainwater away from the window.



**Trickle Vents** are predominantly positioned in the top sash, but can be placed in the head upon request. If the trickle vent is placed in the head of the frame, an add-on profile to the top of the window may be required.

A

## ECOSlide PVC-U Vertical Sliders

ECOSlide PVC-U vertical sliding sash windows are manufactured to exact customer requirements. Widths can range from a minimum of 370mm to a maximum of 1600mm. Heights can range from a minimum of 540mm to a maximum of 3000mm.

Thermally efficient and environmentally-friendly, our windows mimic the aesthetic appeal of a classic timber box sash window while delivering all the benefits of a modern PVC-U system.



### Tilt & Easy Clean Function

Low maintenance ECOSlide PVC-U vertical sliding sash windows only require a quick wipe down with a damp cloth to keep them looking as good as new.

The window sashes feature an inward opening tilt facility to allow easy and safe cleaning of the outside frame and glass from inside the building. This is particularly useful for multi-storey windows or windows positioned in hard to reach places.

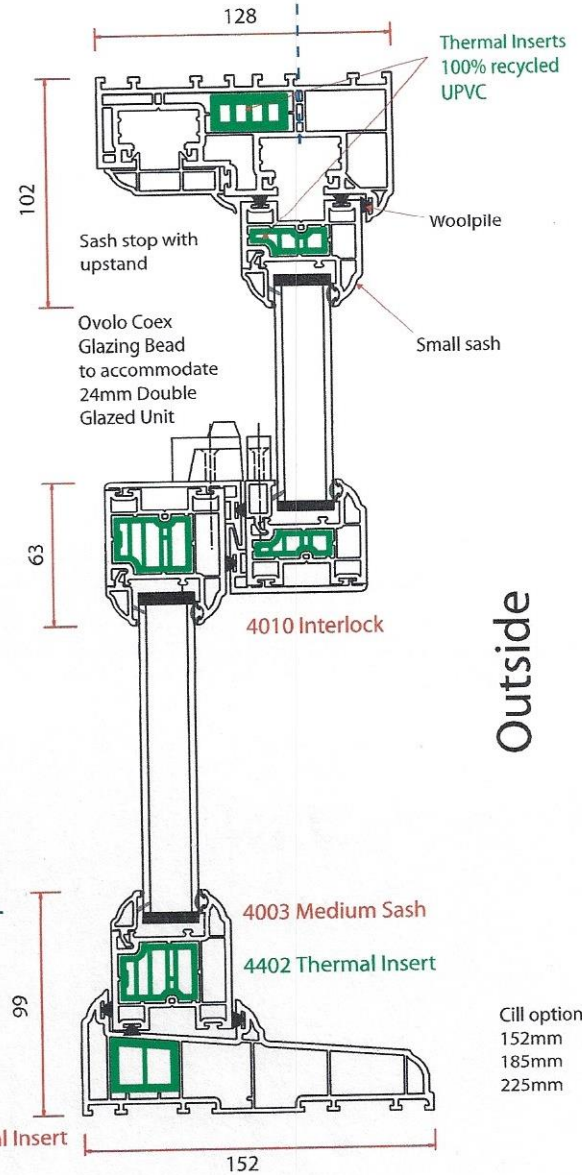
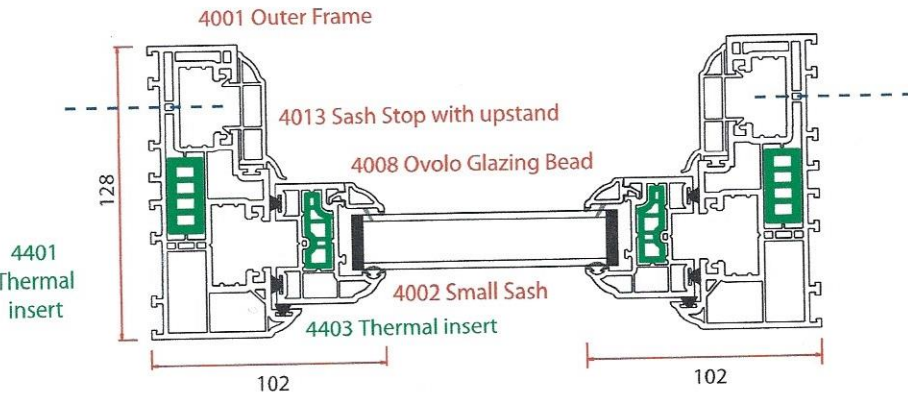


**ECOSlide**  
The No.1 Sash Window Brand

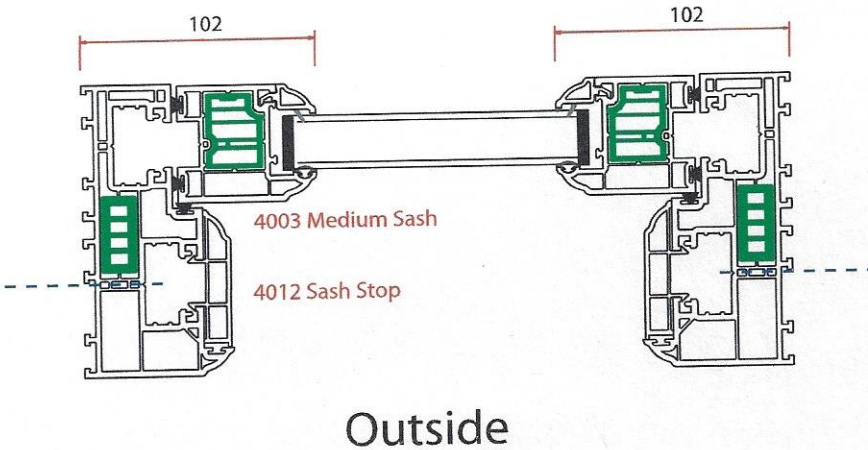
# Installation Guidelines

## Horizontal section through top sash

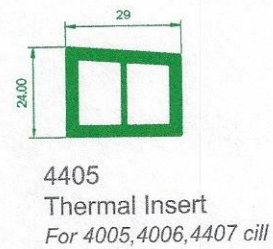
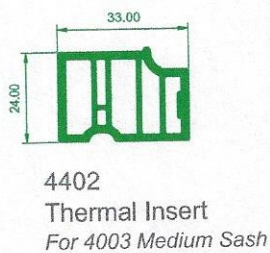
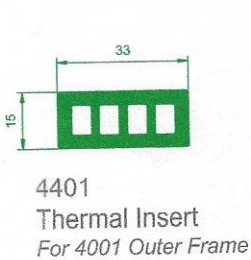
## Vertical section through sash



## Horizontal section through bottom sash



Note: Thermal inserts (coloured green) are manufactured from 100% recycled PVC-U.



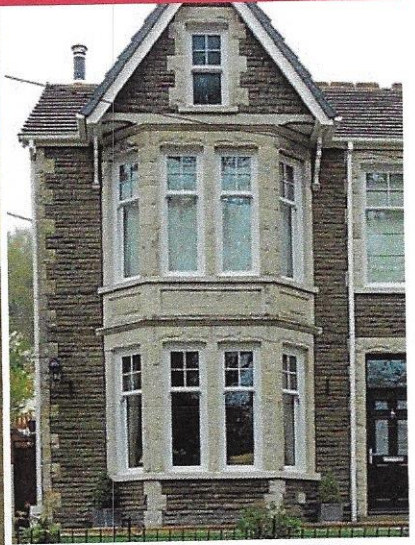
# Victorian Sliders

SASH WINDOWS



Europe's **largest** specialist manufacturer of PVC-U **vertical sliding** sash windows

ECOSlide Standard - Trade Brochure 2017



Strictly Trade Only

**ECOSlide**  
The No.1 Sash Window Brand