

EV Charger 7kW AC ICSH7C



The ICSH7C is suitable for home charging and where communications or back end software isn't required.

The first fix bracket allows for EV charging provision without the full charge station needing to be installed immediately, making this the ideal product for new build homes.

Designed with the installer and user in mind, installation is extremely straight forward and using the charger is very easy with the option of additional authentication, simply plug in and charging will begin, if authentication is required simply activate the two RFID cards supplied.

7.2kW fast AC charging.

Up to 30 miles charging range per hour.

Single phase 230VAC.

Built in current detection 30mA AC and 6mA DC.

Independent back plate design for easy first fix.

10A, 16A, 20A and 32A charge modes.

LED status.

Compatible with ICSLMS Load management hub.

The ICSH7C is not designed for use in OZEV approved installations.

Warranty 2 years.



Home



7KW



Warranty 3
years

Connect with us
@intelligentchargingsystems



[LinkedIn](#)



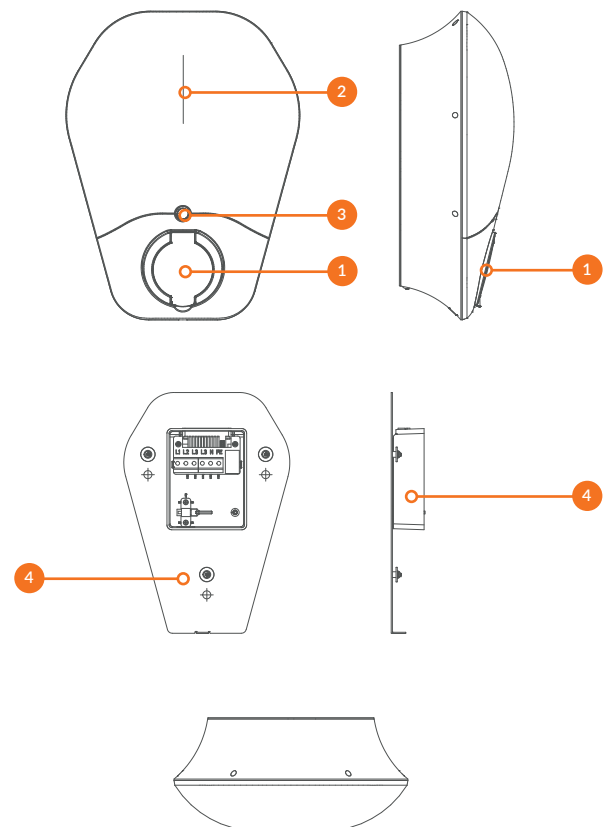
EV Charger 7kW AC ICSH7C

Specification

Power Input	
Input Rating	230VAC + 20%, 32A
Frequency	50/60Hz
Standby Power	<6.5w
Power Output	
Output Rating	Single phase 7.2kw, 32A
Protection	
Over Current protection	Power output is terminated upon detection of overcurrent 10%
Internal Residual Current Detection	30mA AC & 6mA DC
Output Protection	Power output is terminated upon detection of charging connector plug-out
Electrical Protection	Over current, short circuit, over voltage, under voltage, ground fault, lightning surge, over temperature protection
Energy Meter	Meter IC
Current Detection	
PME	PME earth fault monitoring compliant with BS7671 regulation 722.411.4.1
Function & User Interface	
Display	N/A
Status Indicators	User Customizable
User Authentication	N/A
Buttons/Switches	Configurable physical button
Network Interface	N/A
Charging protocol	Mode 3
Environment	
Operating temperature	-30°C to 50°C
Humidity	5% - 95% without condensation
Ingress Protection	IP55

Specification

Mechanical	
Charging Interface	Type 2 socket (IEC 62196)
Mounting Type	Wall or Post (Post supplied separately)
Dimension (W x H x D)	269 x 360 x 146 mm
Net Weight	4.5kg
Regulation & Certification	
Certificate	CE, IEC61851-1
OCPP	N/A
Accessories	
RFID Card	ICS2.0UC
Floor Mount Post	ICSFP1, ICSFP2
EV Signage	ICSEVS1, ICSEVS2, ICSEVS2
EV Charging Cables	ICSL5T 22kw 5m type 2 to type 2



Connect with us
@intelligentchargingsystems



LinkedIn

Email: info@intelligentchargingsystems.co.uk

www.intelligentchargingsystems.co.uk

iCS_ICSH7C_Data_Sheet_REV01

No	Item
1	Charging Socket
2	LED Indication
3	Configurable Button
4	First Fix Back Plate