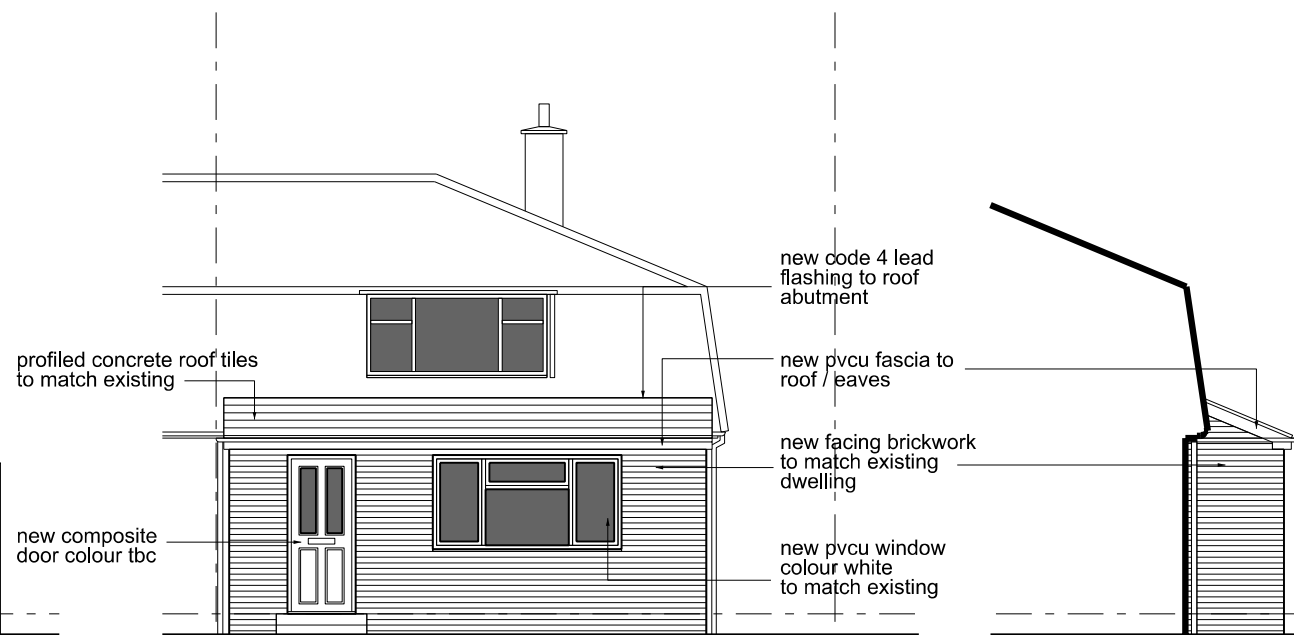
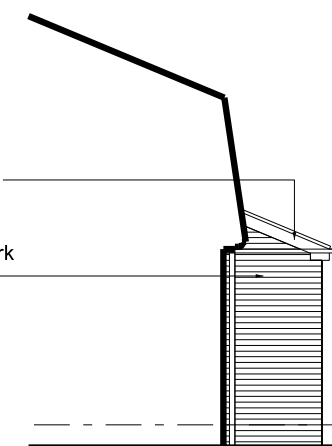


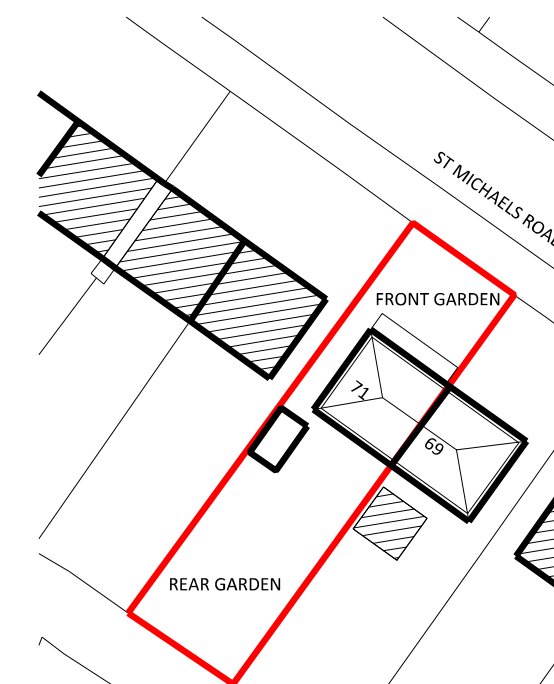
SIDE ELEVATION TO No 73



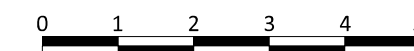
FRONT ELEVATION



SIDE ELEVATION TO No 69



SITE PLAN 1:500



scale 1:100

Client

KAWA AZIZ

Project

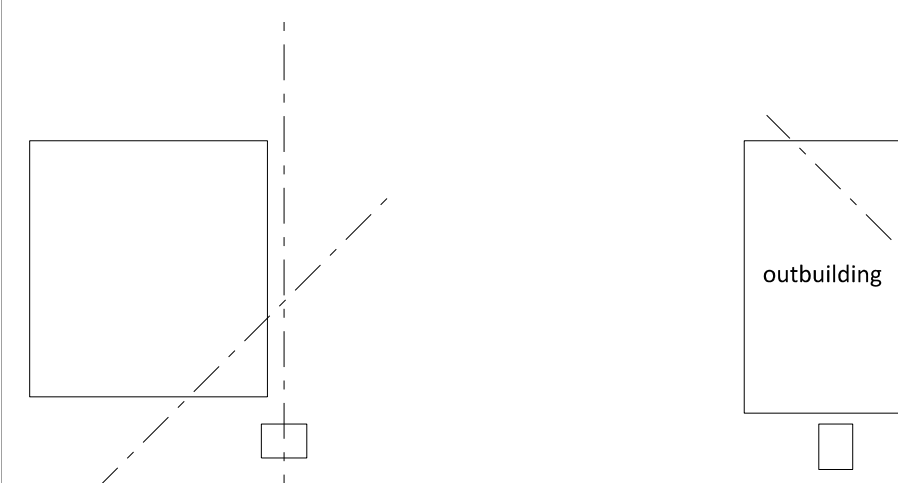
71 ST MICHAELS ROAD  
WARWICK  
CV34 5RW

Drawing Title

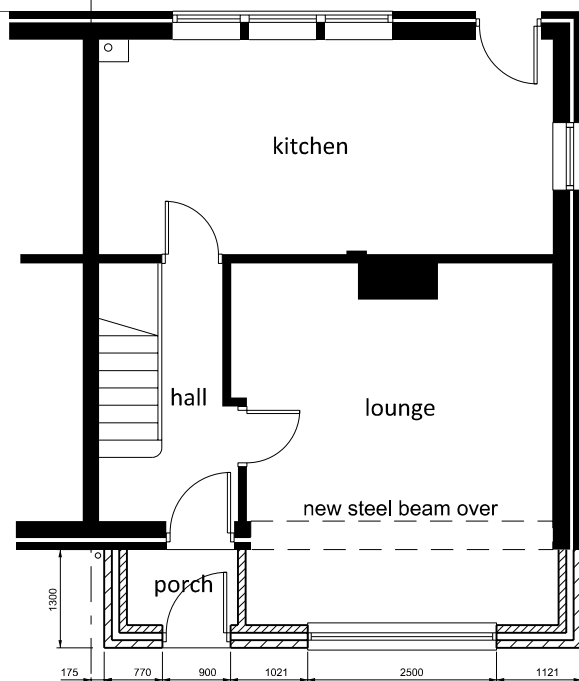
LOUNGE EXTENSION  
PLANS AND ELEVATIONS

Drawn	Checked	Paper Size	Scale	Date
W	C	A3	1:100	11.11.21

Project No.	Drawing No.	Revision
21166	0015	



outbuilding



GROUND FLOOR PLAN



LOCATION PLAN 1:250