

Lost Love in Mayfair
Installation Drawing Submission

PART 1: Berkeley Square
PART 2: Duke Street

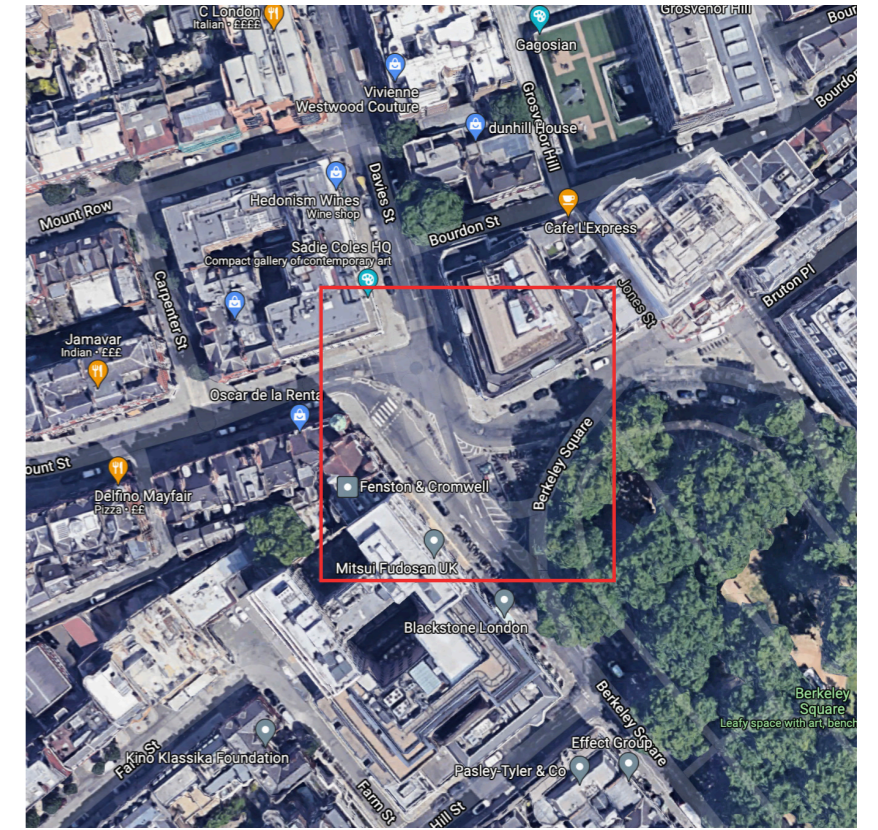
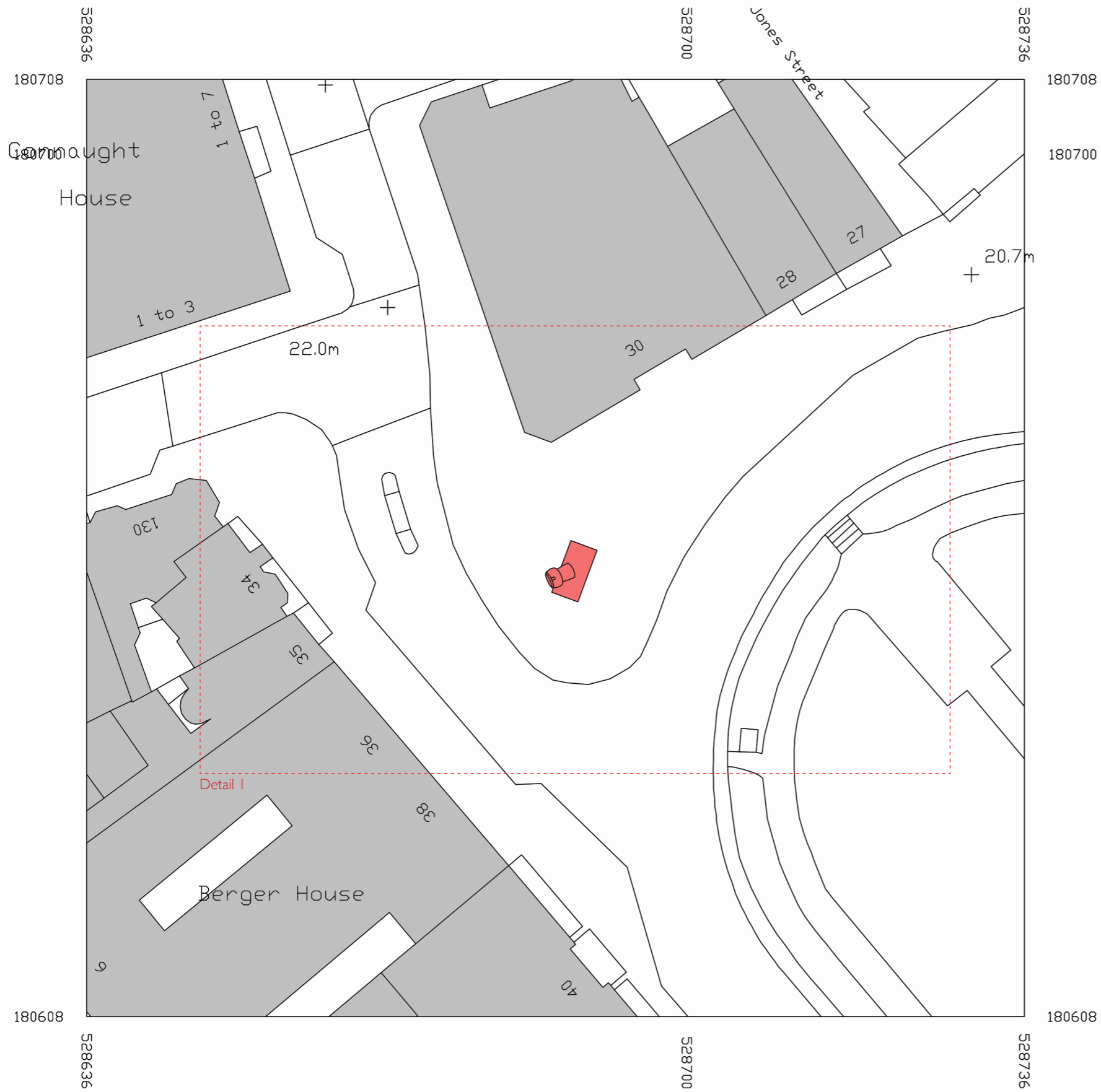
26.11.2021

BOMPAS & PARR

3 Grange Yard
Bermondsey
London
SE1 3AE

020 7403 9403

Note: For information purposes only, do not
scale from drawing



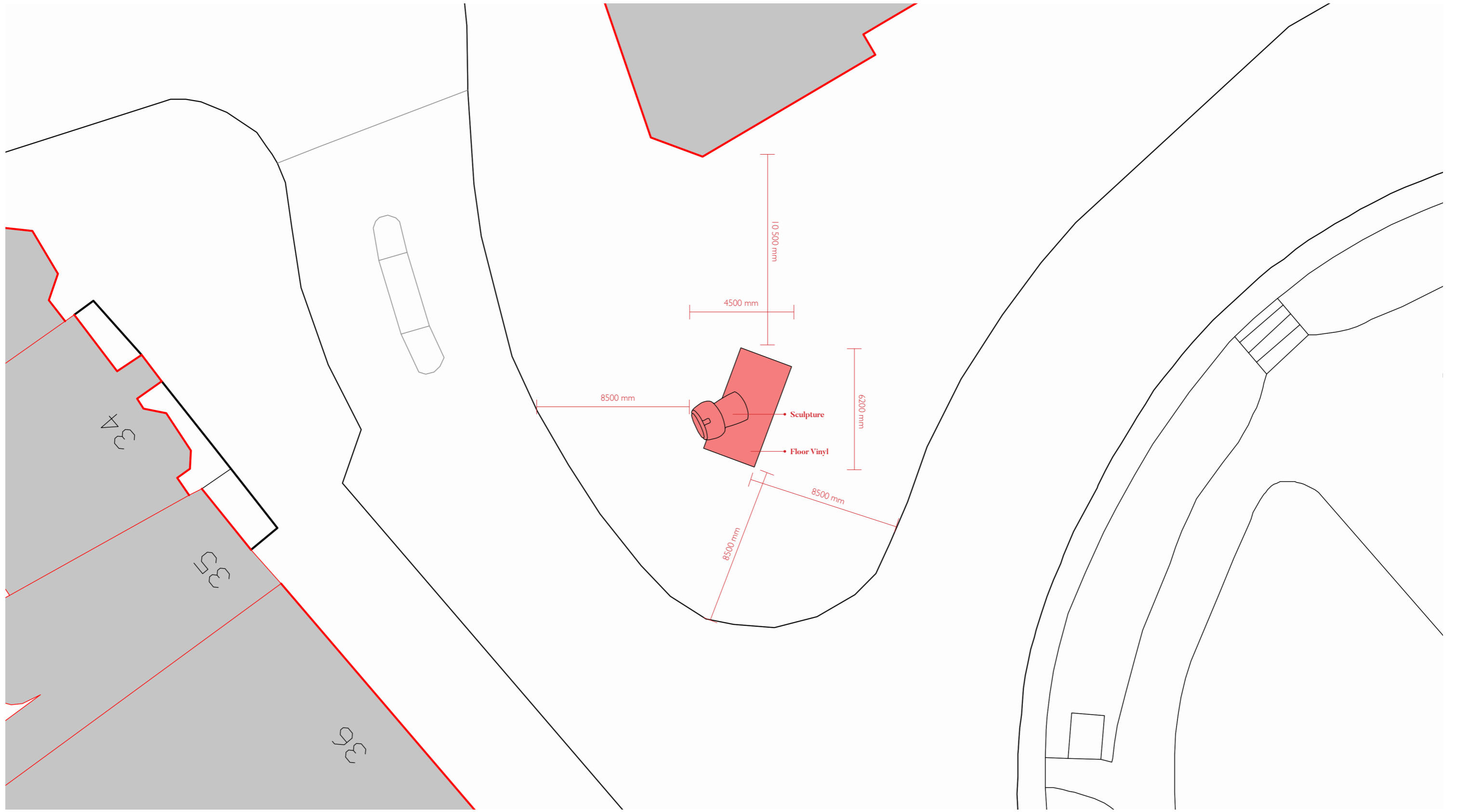
Aerial

NOTES

DRAWN	DRAWING No.	REV
RS	2	01

Project: Lost Love in Mayfair
 Title: Cork Installation - Berkeley Square
 Status: Site Location Plan
 Scale: 1:500 @A3
 Date: 26.11.2021

BOMPAS & PARR
 3 Grange Yard
 Bermondsey
 London
 SE1 3AE
 020 7403 9403
 Note: For information purposes only, do not scale from drawing



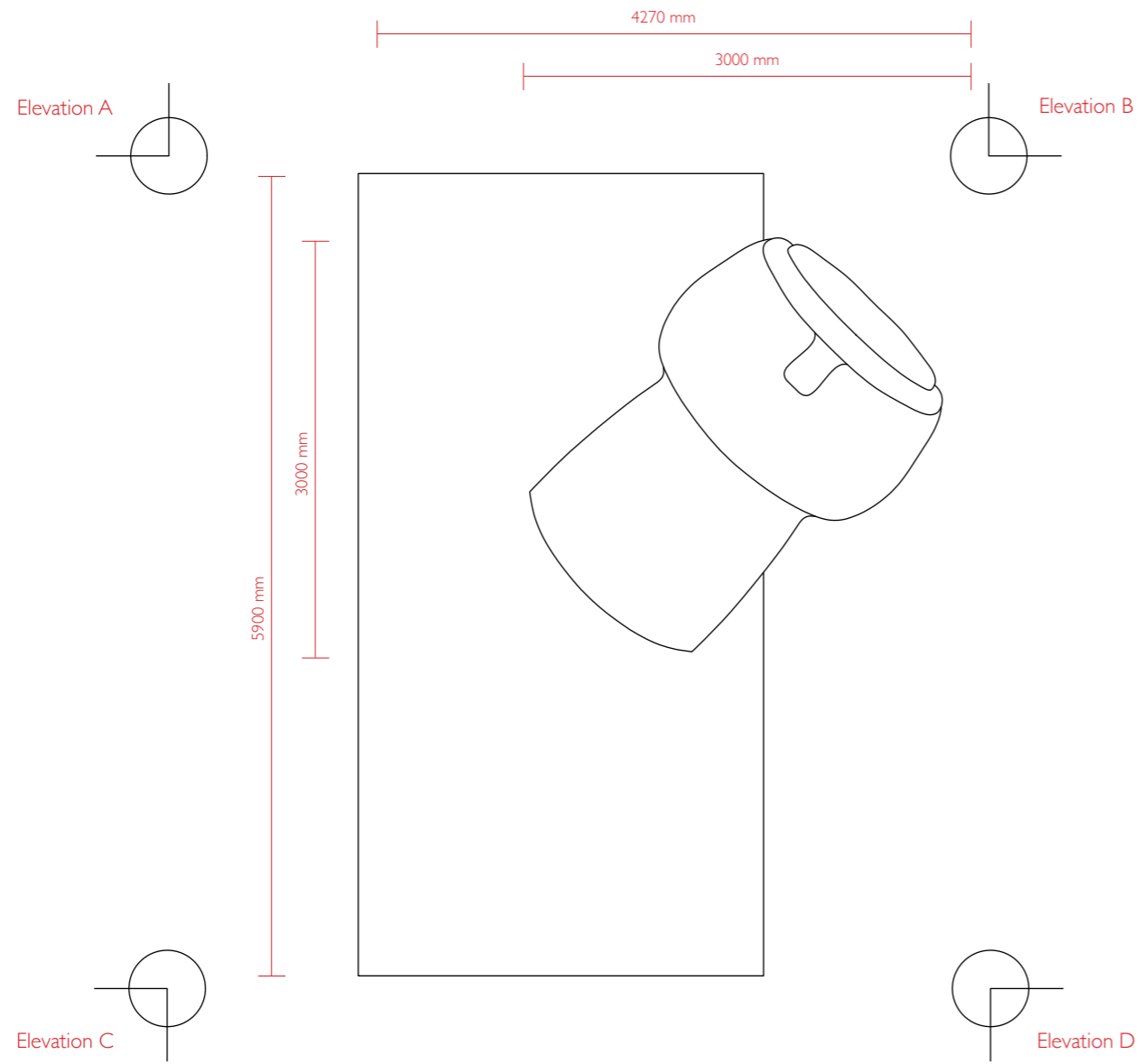
NOTES

-

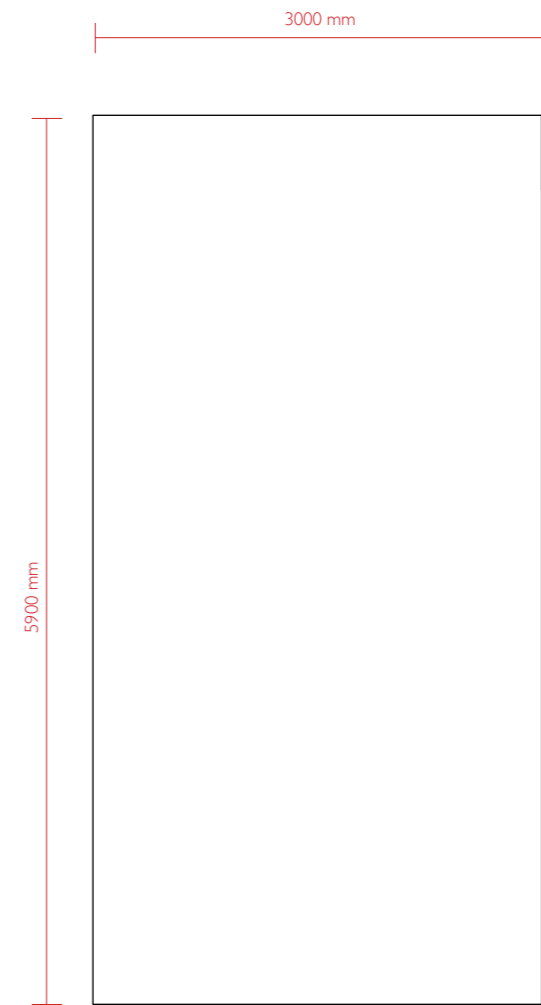
DRAWN	DRAWING No.	REV
RS	3	01

Project: Lost Love in Mayfair
 Title: Cork Installation - Berkeley Square
 Status: Site Location Detail
 Scale: 1:200 @A3
 Date: 26.11.2021

BOMPAS & PARR
 3 Grange Yard
 Bermondsey
 London
 SE1 3AE
 020 7403 9403
 Note: For information purposes only, do not scale from drawing



Plan



Floor Vinyl

NOTES

-

DRAWN	DRAWING No.	REV
RS	4	01

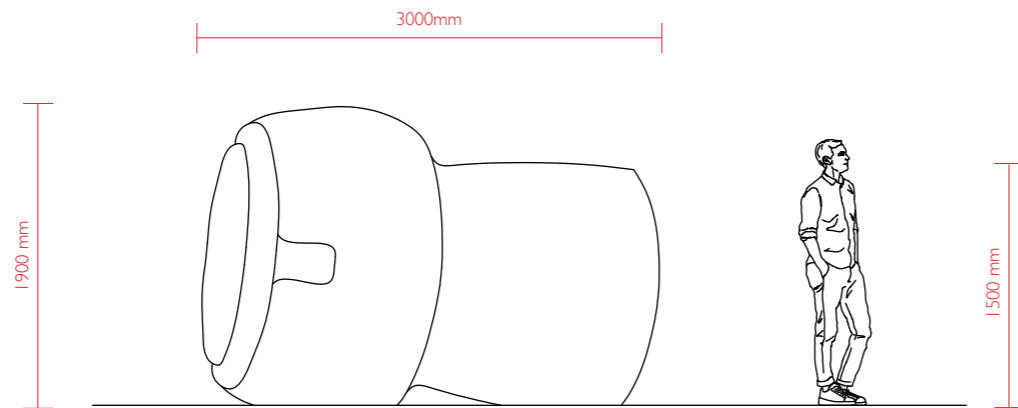
Project: Lost Love in Mayfair
 Title: Cork Installation - Berkeley Square
 Status: Technical Drawing
 Scale: 1:50 @A3
 Date: 26.11.2021

BOMPAS & PARR

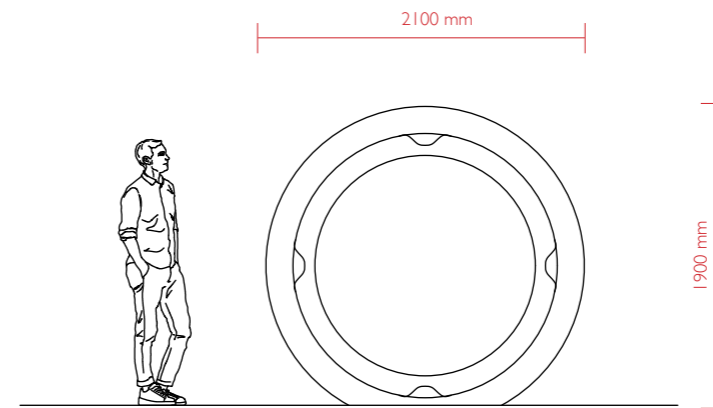
3 Grange Yard
 Bermondsey
 London
 SE1 3AE

020 7403 9403

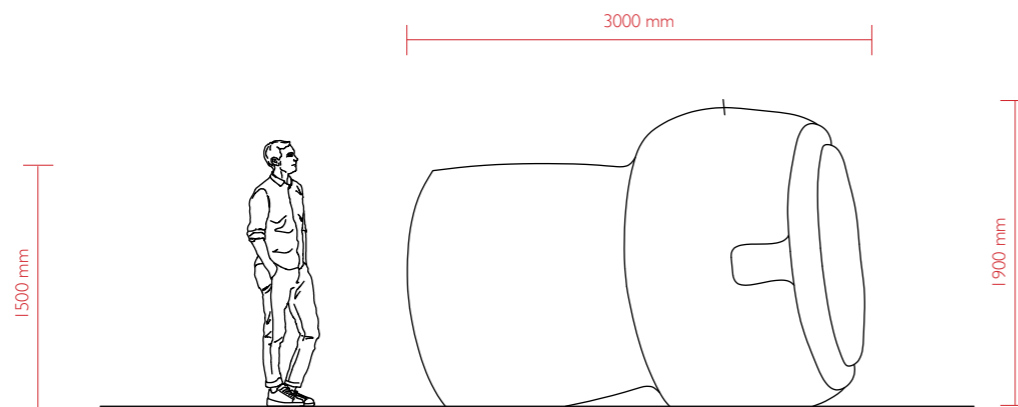
Note: For information purposes only, do not scale from drawing



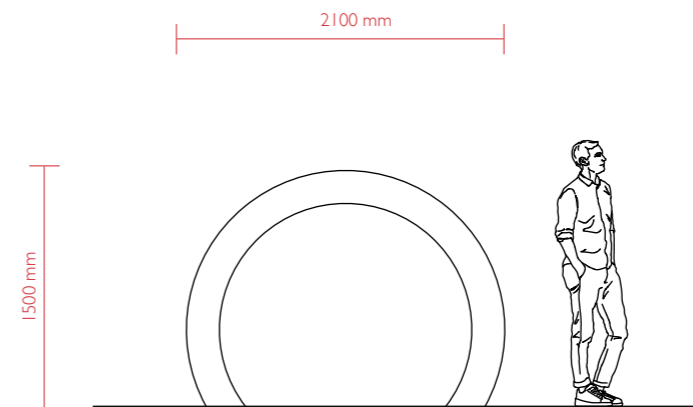
Elevation A



Elevation B



Elevation C



Elevation D

NOTES

-

DRAWN	DRAWING No.	REV
RS	5	01

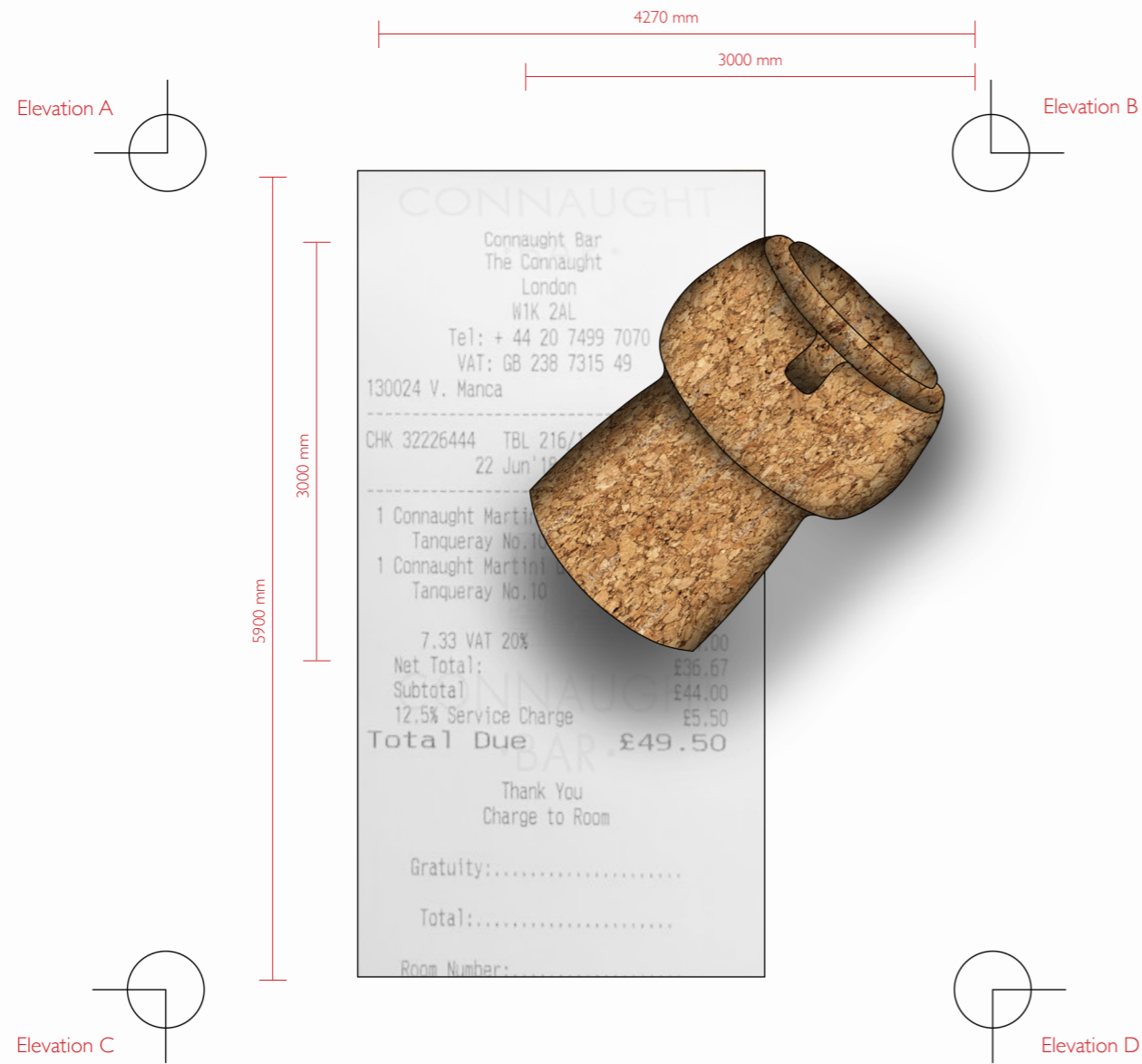
Project: Lost Love in Mayfair
 Title: Cork Installation - Berkeley Square
 Status: Technical Drawing
 Scale: 1:50 @A3
 Date: 26.11.2021

BOMPAS & PARR

3 Grange Yard
 Bermondsey
 London
 SE1 3AE

020 7403 9403

Note: For information purposes only, do not scale from drawing



Plan

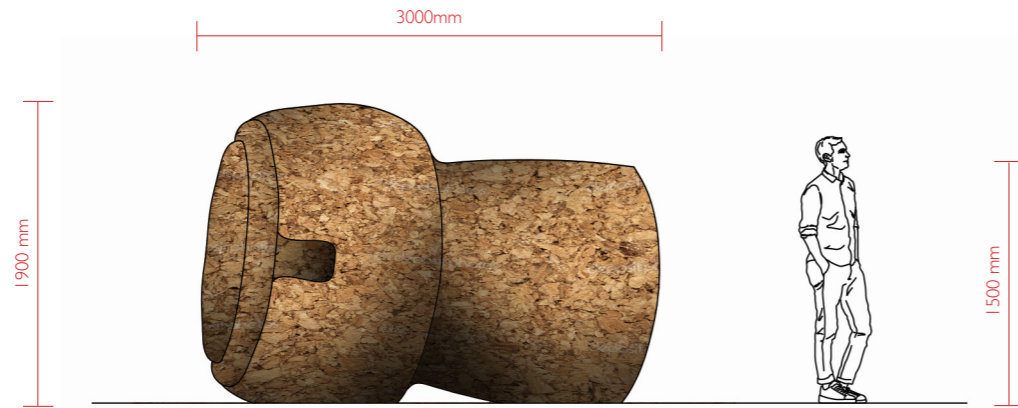


Floor Vinyl

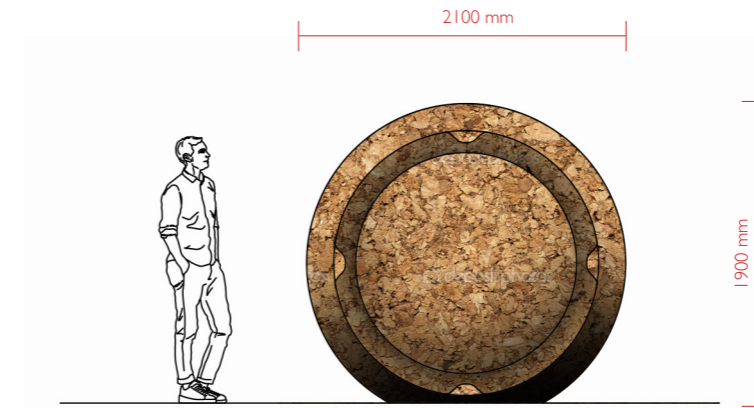
NOTES	DRAWN	DRAWING No.	REV
-	RS	6	01

Project: Lost Love in Mayfair
 Title: Cork Installation - Berkeley Square
 Status: Technical Drawing
 Scale: 1:50 @A3
 Date: 26.11.2021

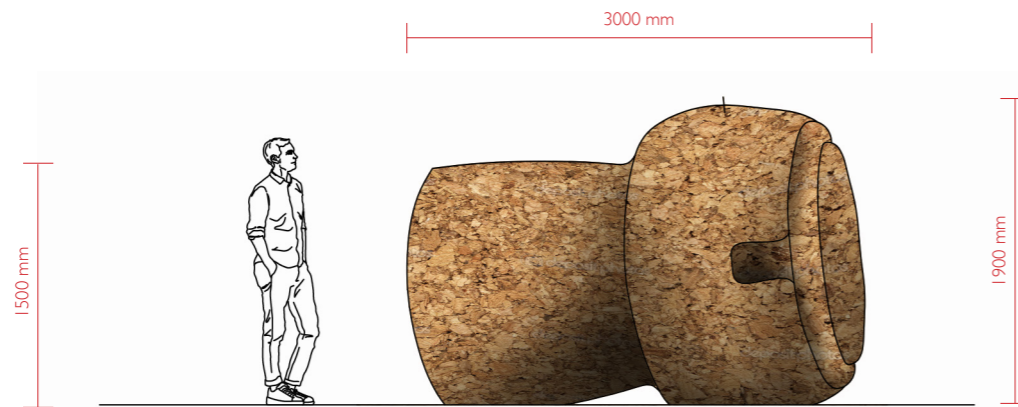
BOMPAS & PARR
 3 Grange Yard
 Bermondsey
 London
 SE1 3AE
 020 7403 9403
 Note: For information purposes only, do not scale from drawing



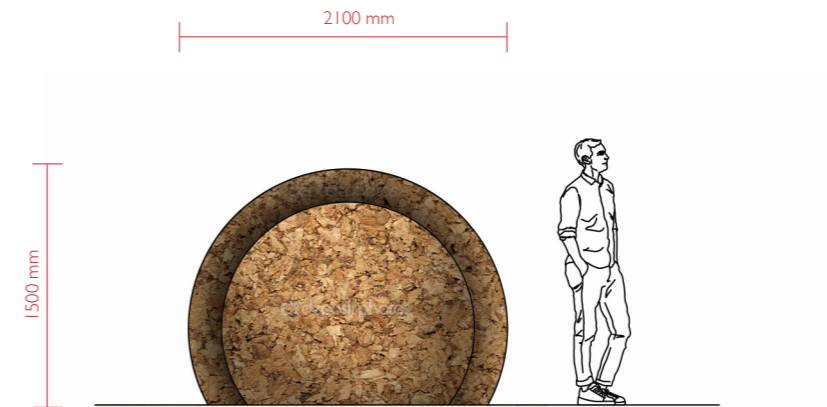
Elevation A



Elevation B



Elevation C



Elevation D

NOTES

-

DRAWN	DRAWING No.	REV
RS	7	01

Project: Lost Love in Mayfair
 Title: Cork Installation - Berkeley Square
 Status: Technical Drawing
 Scale: 1:50 @A3
 Date: 26.11.2021

BOMPAS & PARR

3 Grange Yard
 Bermondsey
 London
 SE1 3AE

020 7403 9403

Note: For information purposes only, do not scale from drawing