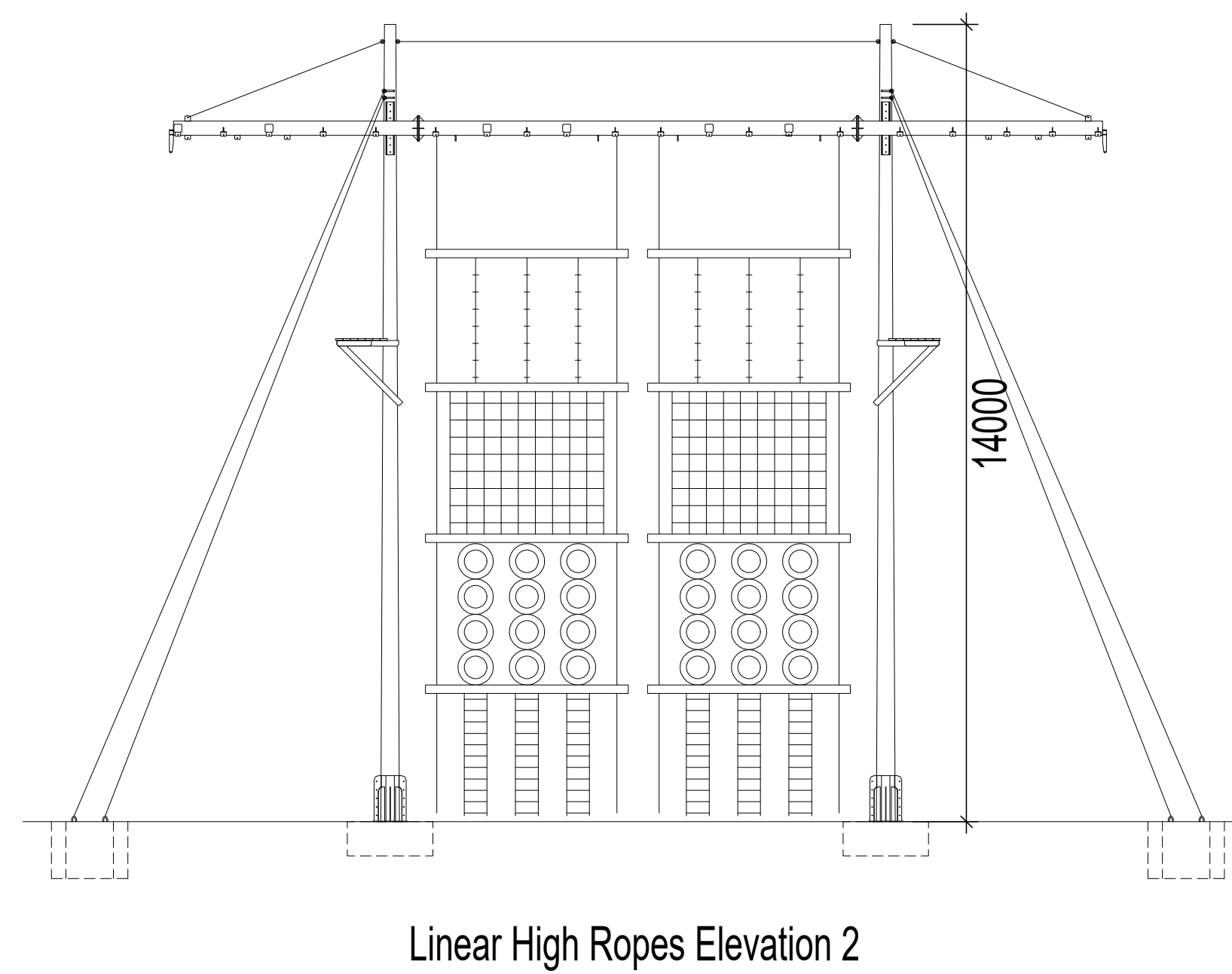
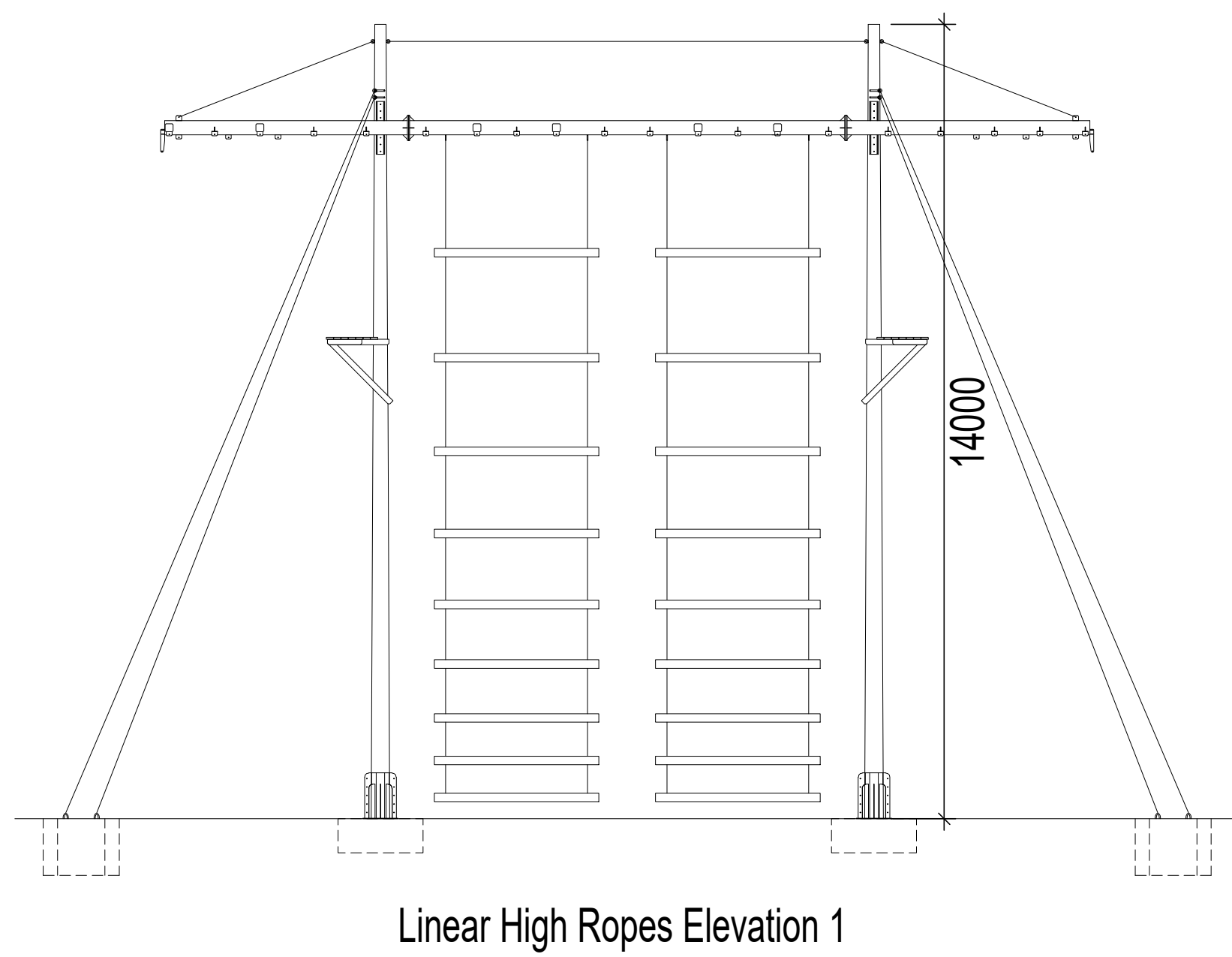


NOTES:

- 1) ALL DIMENSIONS ARE IN MILLIMETERS UNLESS STATED OTHERWISE
- 2) DETAILS INDICATIVE ONLY
- 3) ALL EXCAVATED MATERIAL TO BE RETAINED ON SITE
- 4) TIMBER POLE FOUNDATIONS TO BE STEEL POLE BOOT ON CONCRETE PAD
- 5) ACTIVITY BEAM TO BE STEEL CONSTRUCTION
- 6) ALL STEELWORK TO BE GRADE S355 J2 FOR HOT ROLLED SECTIONS PLATES & FLATS IN ACCORDANCE WITH BS EN 10025 OR GRADE S355 J2H FOR HOT FORMED HOLLOW SECTIONS IN ACCORDANCE WITH BS EN 10210
- 7) ALL STEELWORK TO BE HOT DIP GALVANIZED IN ACCORDANCE WITH BS EN ISO 1461 ON COMPLETION OF FABRICATION TO A MINIMUM THICKNESS OF 85 MICRONS
- 8) ALL STEELWORK TO BE POLYESTER POWDER COATED IN ACCORDANCE WITH BS EN 13438 APPLICATION - CORROSIVITY CLASS C3 COLOUR - RAL 6005, MOSS GREEN
- 9) ACTIVITY AREA GROUND SURFACE TO BE PEA GRAVEL IN TIMBER SURROUND



Refer to drawing no. AF- 003 for Linear Course location

Revision	Description	Date

NB DA
Architects

www.nbda-architects.co.uk Tel 01625 575500

Client **PGL**

Project **Ford Castle**

Drawing **Linear High Ropes**

Drawing No. **2035/AF-943** Revision
Scale **1:100@A1** Date **03.09.21** Drawn **HY**

This drawing is copyright of N.B.D.A. Ltd. and should not be reproduced without permission. Dimensions should not be scaled off this drawing. All dimensions should be checked on site.