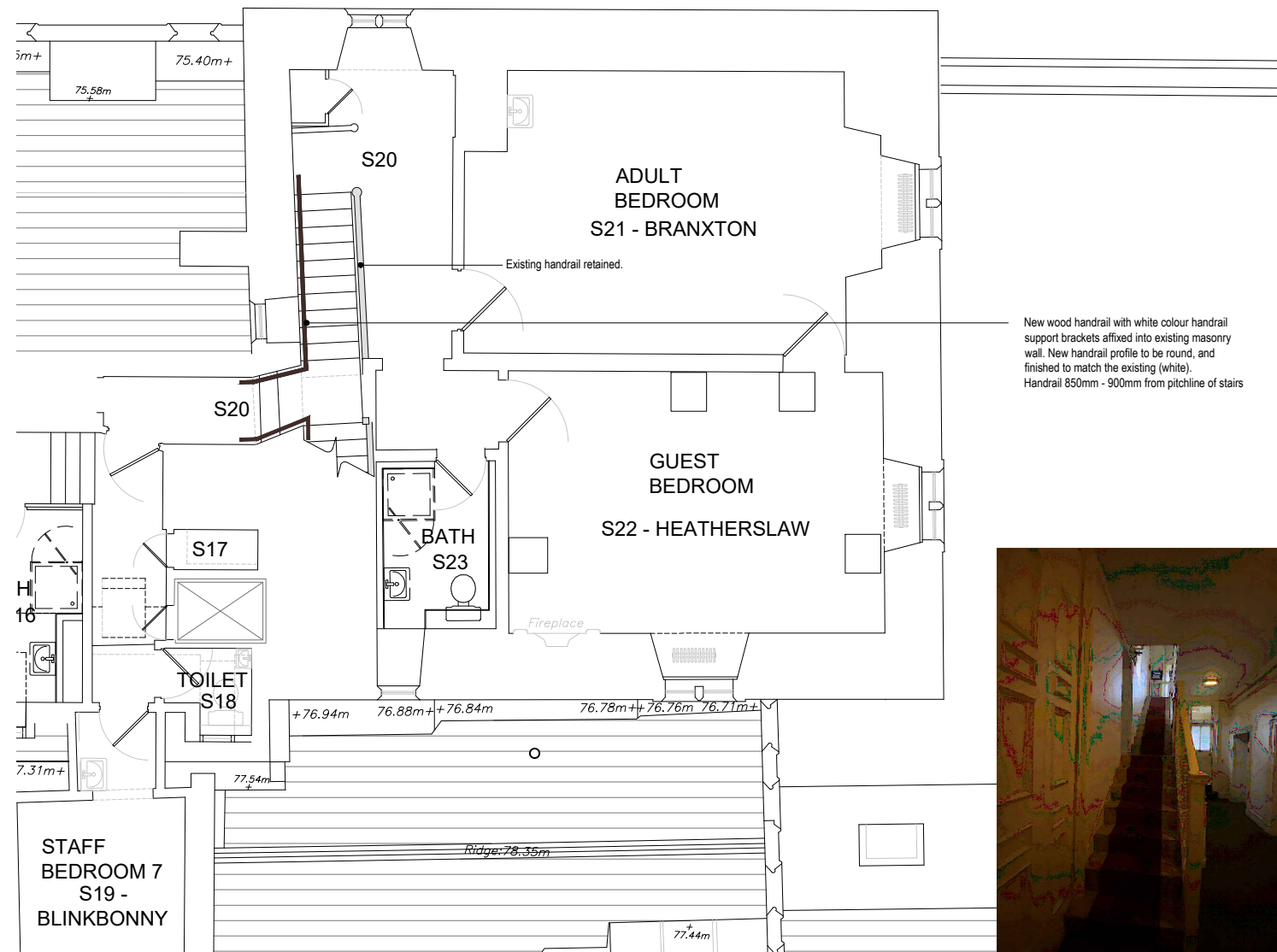
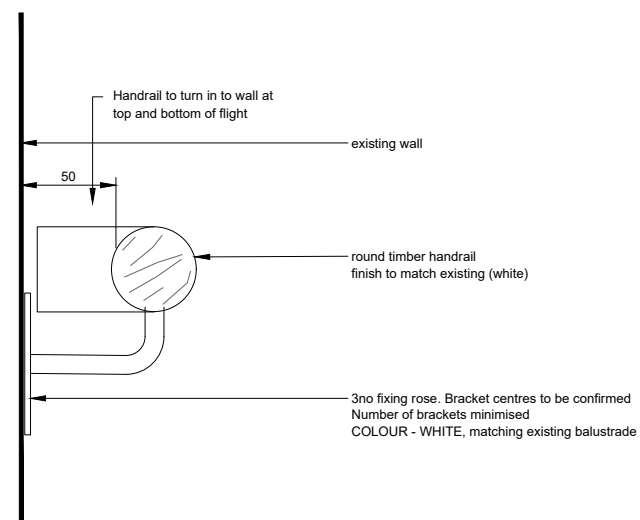


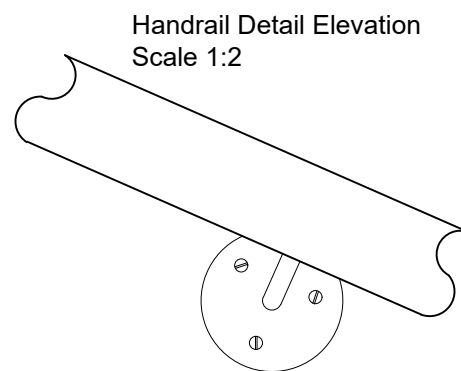
FIRST FLOOR LEVEL - PROPOSED HANDRAIL
SCALE 1 : 50



SECOND FLOOR LEVEL - PROPOSED HANDRAIL
SCALE 1 : 50



Handrail Detail Section
Scale 1:2



Handrail Detail Elevation
Scale 1:2

Revision	Description	Date
A	Stair handrail description updated.	25.11.21



www.nbda-architects.co.uk Tel 01625 575550

Client PGL HOLIDAYS

Project FORD CASTLE
BERWICK-UPON-TWEED

Drawing PROPOSED HANDRAIL DETAIL
STAIR S20

Drawing No. 2035/IMC-215 Revision A
Scale Varies@A1 Date 23.07.21 Drawn JG

This drawing is copyright of N.B.D.A. Ltd. and should not be reproduced without permission. Dimensions should not be scaled off this drawing. All dimensions should be checked on site.