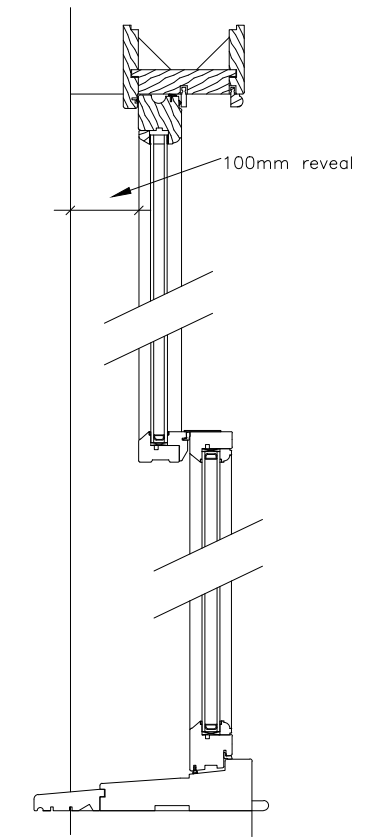
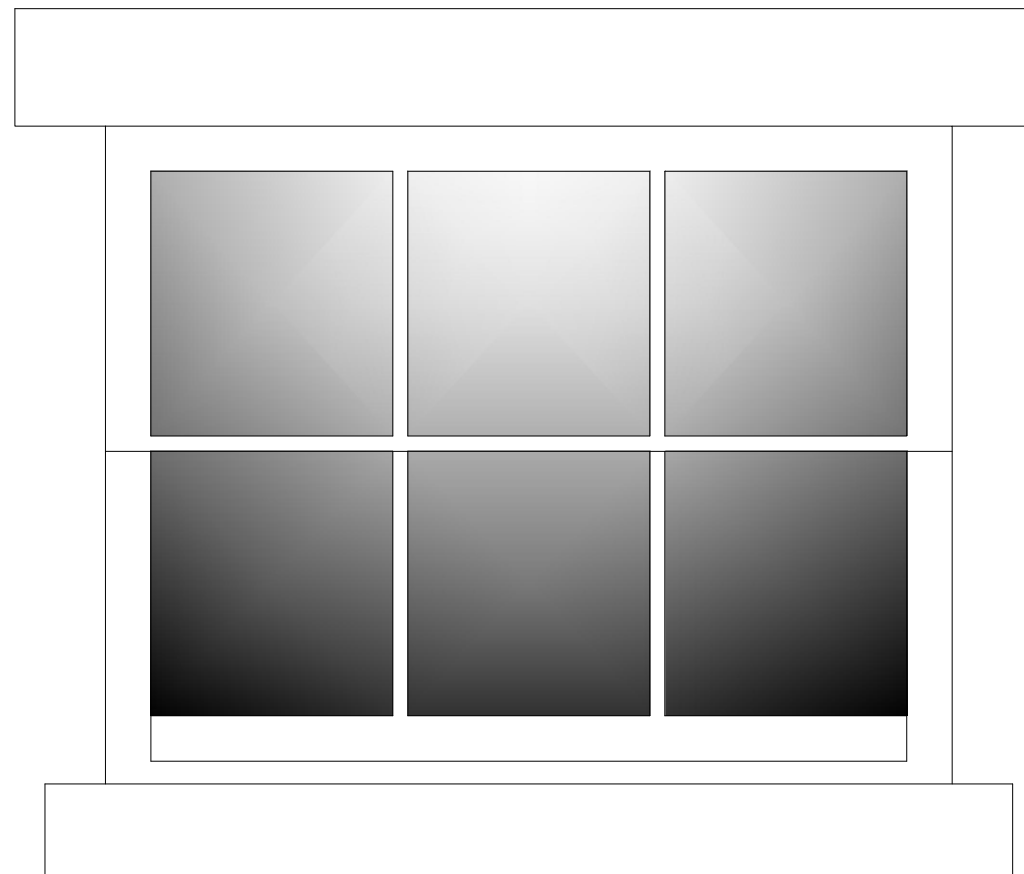


Door Section A-A



Window Section B-B

ANDERSON - ELLIS PARTNERSHIP  
 60 DUKE STREET DARLINGTON Co. DURHAM DL3 7AN  
 01325 480333(T), 01325 483876(F), architect@andersonellis.co.uk

Extension to  
 Skermingham Manor Cottage  
 Darlington, County Durham DL1 3JA

for Mr & Mrs Boswell

Joinery Details

scale 1:10

date May 2020

20959 - 08