

**DRAWING PREVIOUSLY
ISSUED AS DRG 1289 / 3P2**

KEY

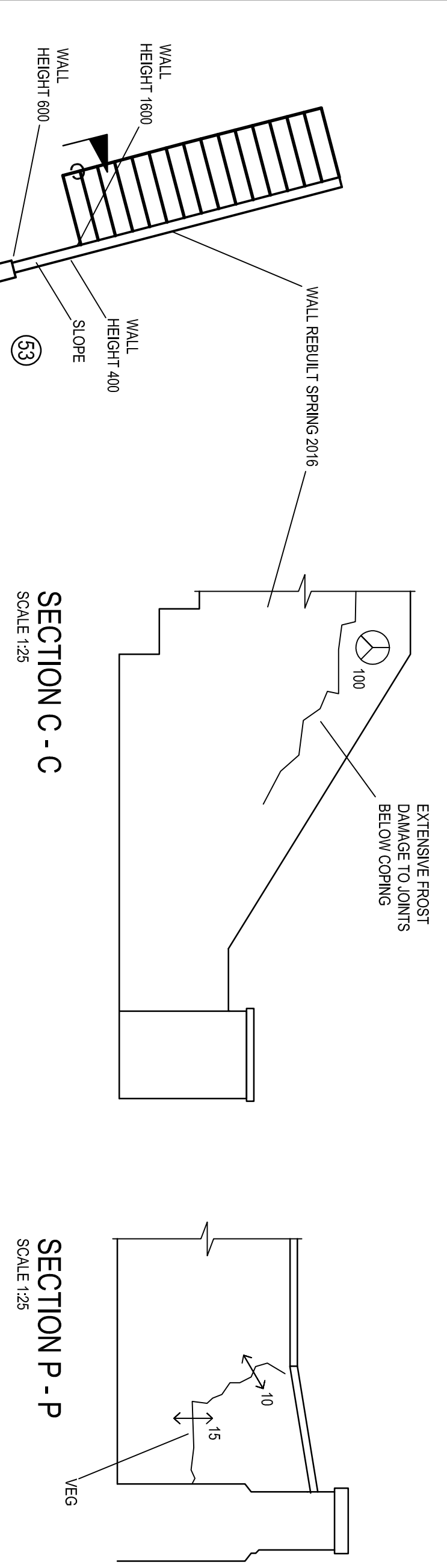
- 1.5 ← = PIER / WALL LEAN DISTANCE & DIRECTION
- 1.8 ↓ = HEIGHT OF MEASUREMENT
- PH 2.6 = PIER HEIGHT
- PW 4.80 = PIER WIDTH
- INT 4.7 = WALL LENGTH PIER TO PIER
- IN ORDER (53 TO 76) = INTERFERE DIMENSION
- AP = ACCEPTABLE RILMB
- (66) = PIER NUMBER

KEY TO CRACK NOTATION

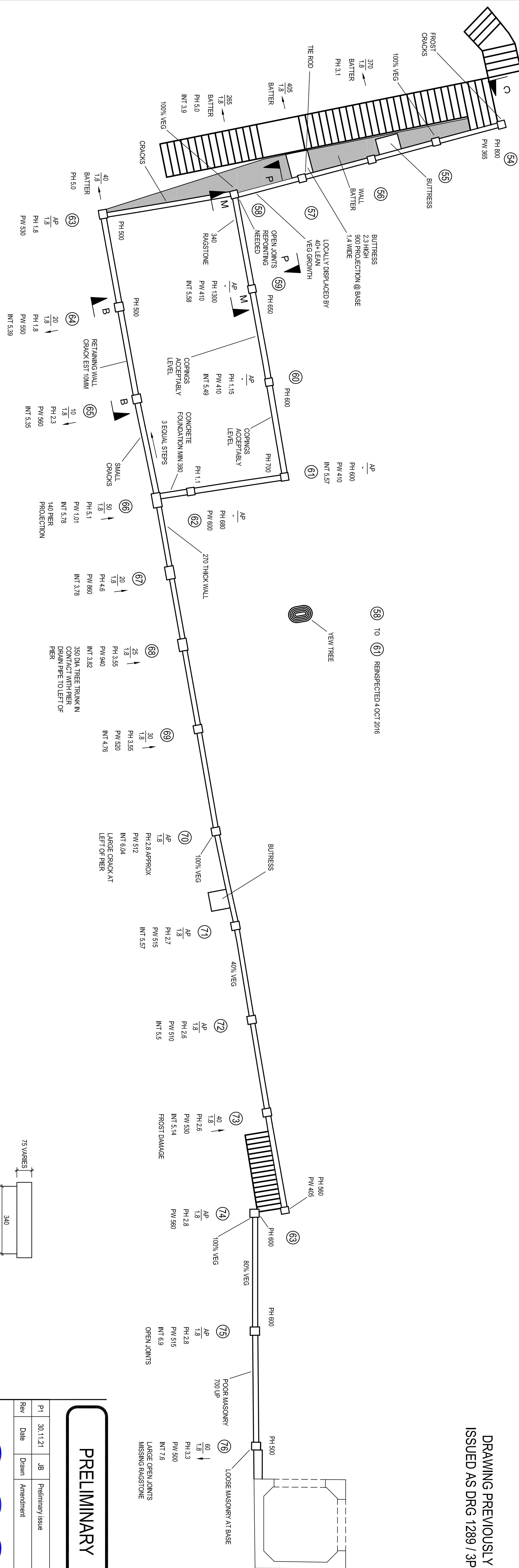
- ← 2 = WIDTH OF CRACK IN mm AND DIRECTION OF DISPLACEMENT
- ↑ = SHEAR DISPLACEMENT
- ↕ = DISPLACEMENT INTO PLANE OF PAPER (TAIL OF DART)
- ⊙ = DISPLACEMENT OUT OF PLANE OF PAPER (HEAD OF DART)

SECTION C - C
SCALE 1:25

SECTION P - P
SCALE 1:25

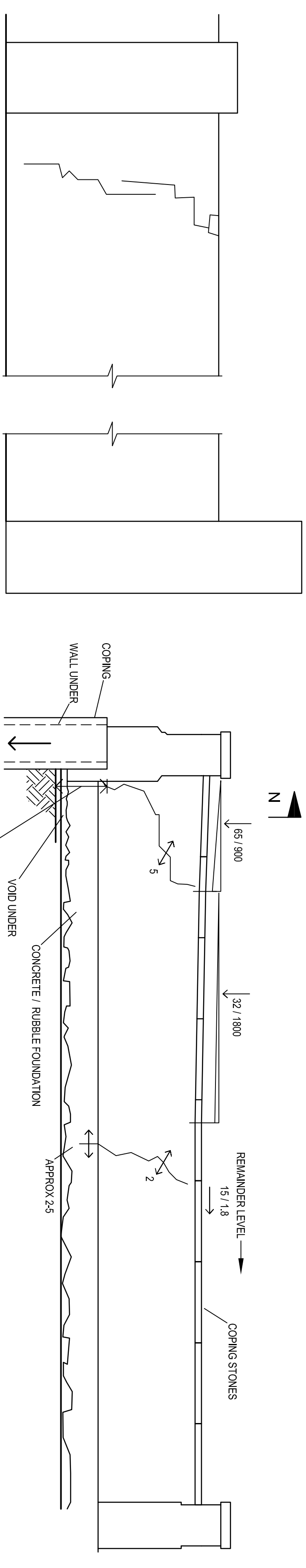


SURVEY OF WALL 2
SCALE 1:75

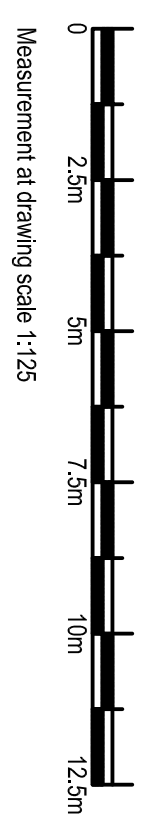
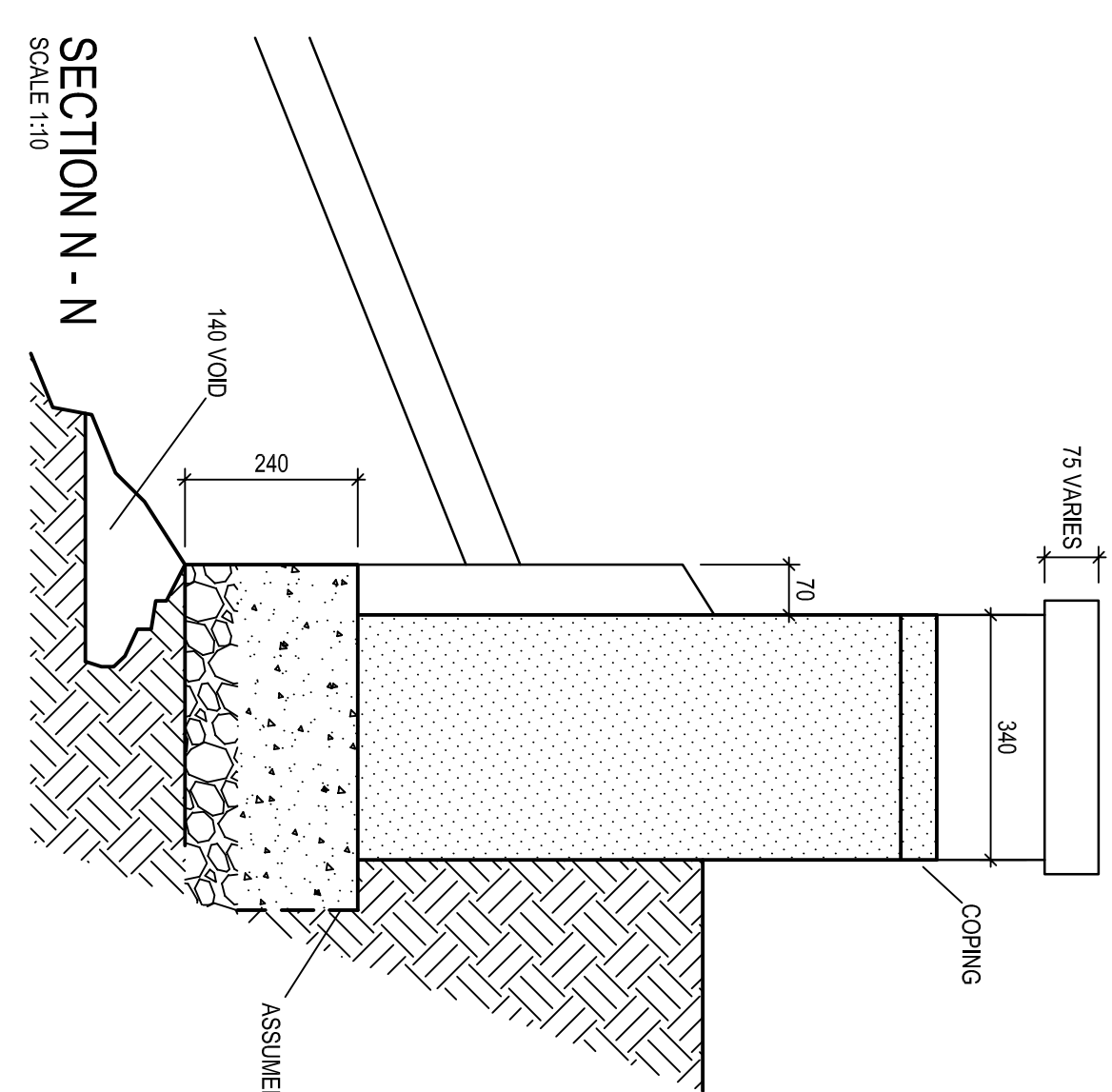


SECTION B - B
SCALE 1:25

SECTION M - M
SCALE 1:25



SECTION N - N
SCALE 1:10



PRELIMINARY

Rev	Date	Drawn	Amendment
P1	30.11.21	JB	Preliminary Issue

Adrian Cox Associates
Consulting Civil and Structural Engineers
The Studio
3 Bayham Road
Sevenshaws TN13 3XA
info@adriancox.co.uk

Job
Chartwell Wall Terrace
Mapleton Road
Westleigh
TN16 1PS

Description
Existing Plan & Survey of Wall 2

Scale	Drawn	Checked	Date	Dwg No
1:125 1:25 1:10 at A1	JB	AC	NOV 2021	1668 / 2 P1