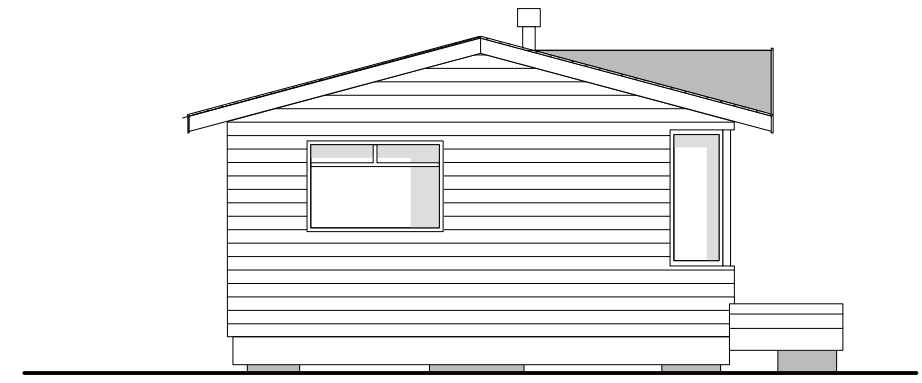
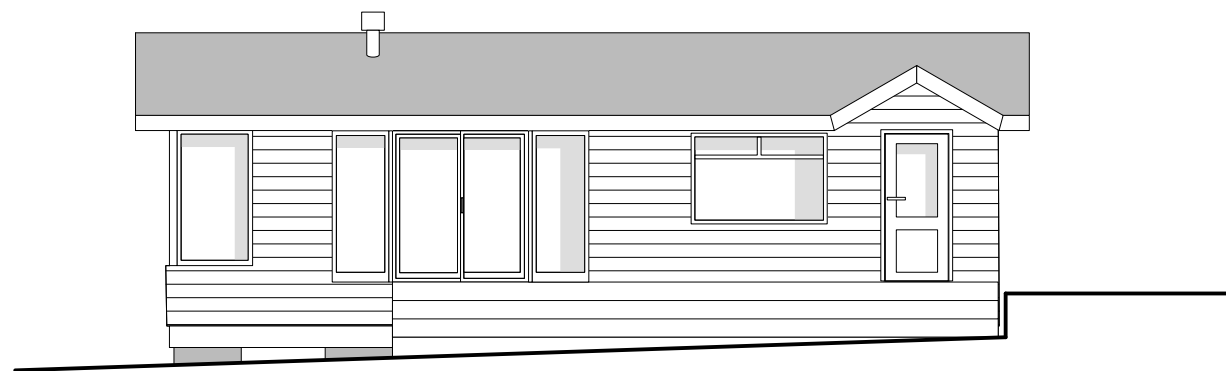


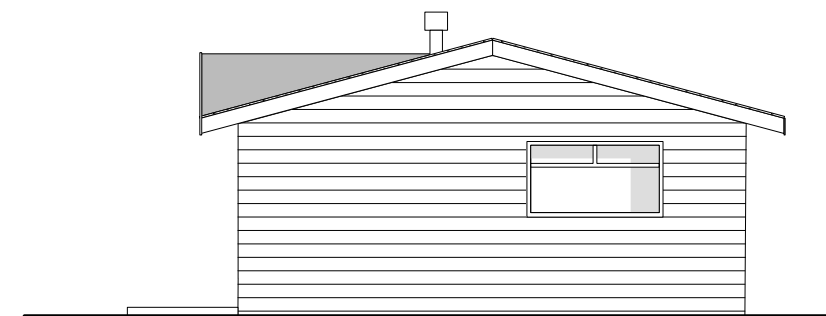
East / Elevation



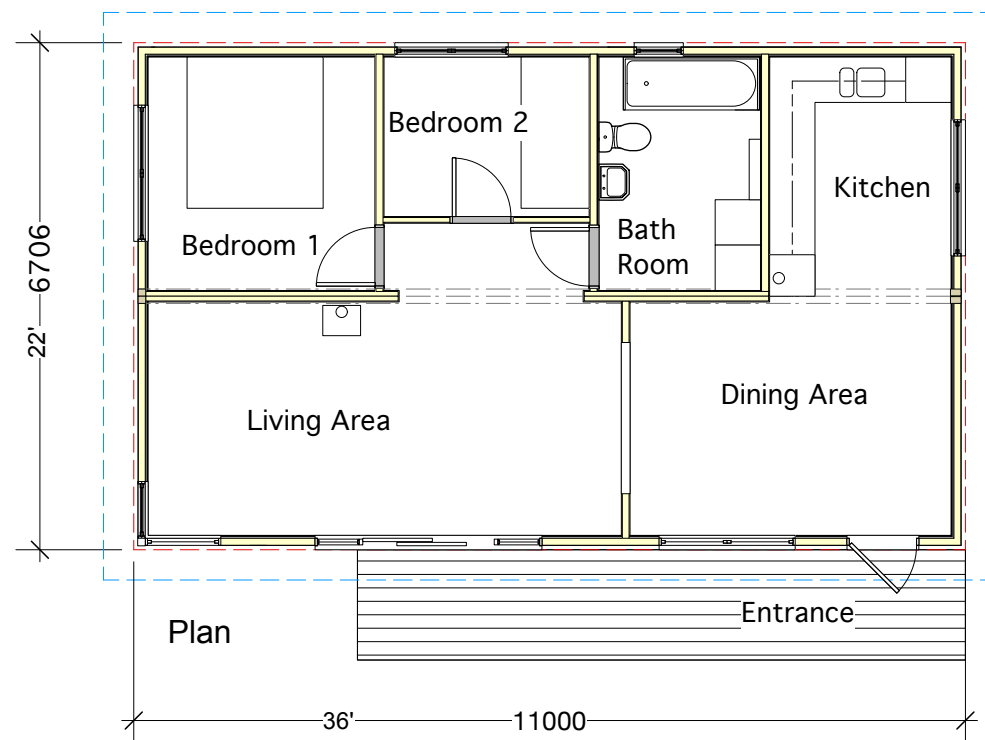
North / Gable Elevation



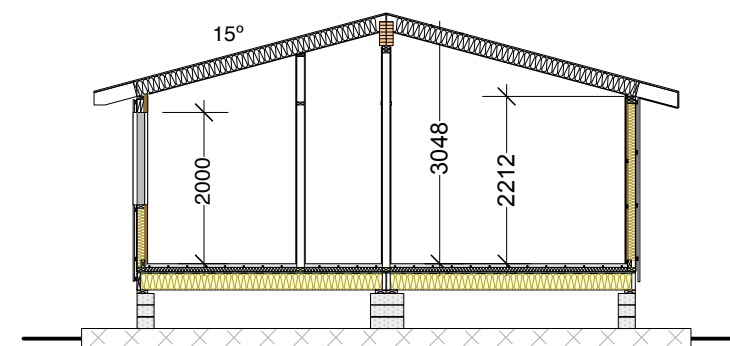
West / Entrance Elevation



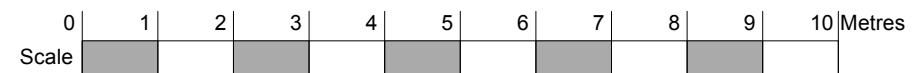
South / Gable Elevation



Plan



Section



DR3



PROJECT:-

Emma Buckley Lodge Extension

Proposed plan Section and Elevations

Scale @ A3 1:100

Date: Rev: D