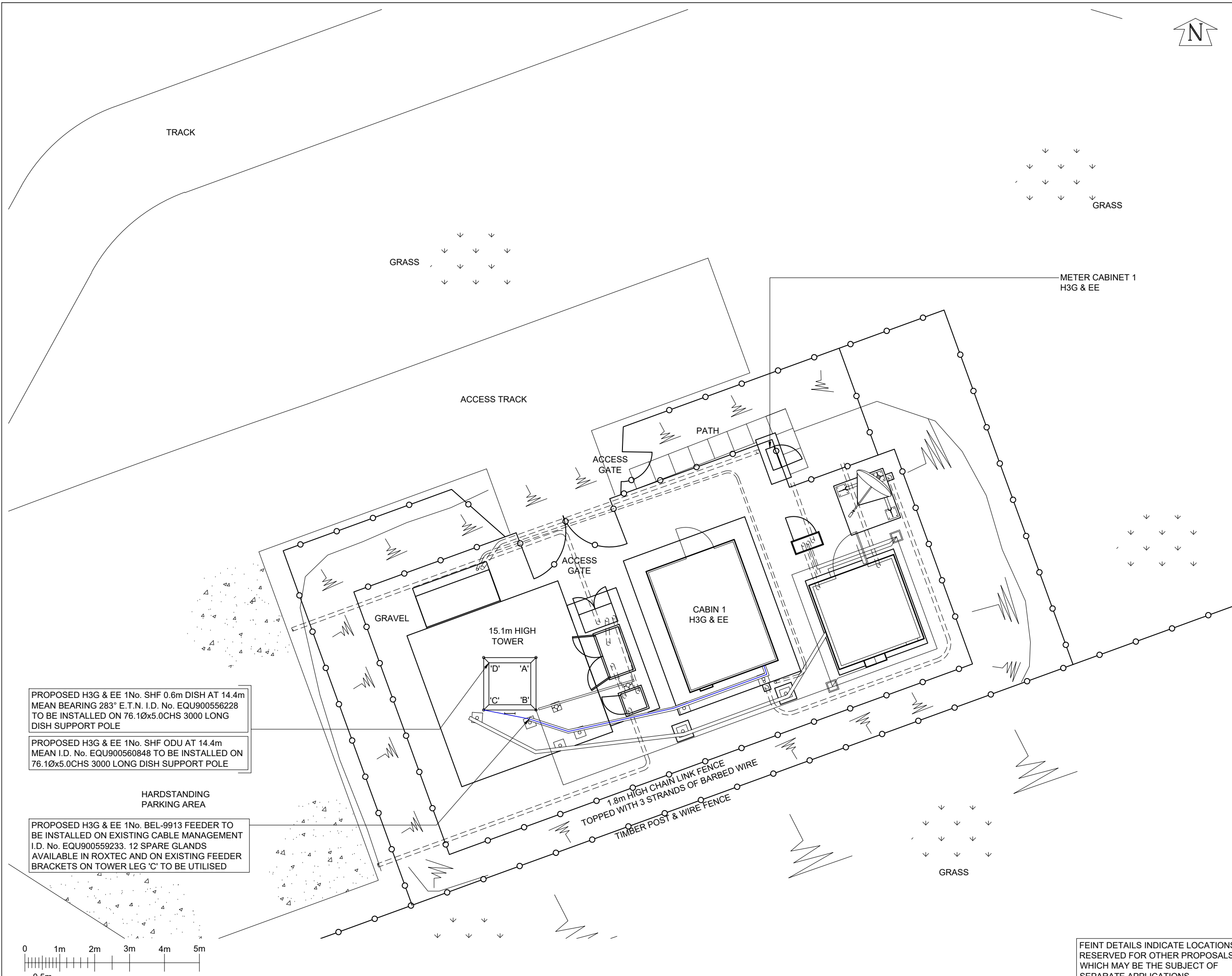




©2020 Cellnex
 All rights reserved. No part of this publication may be reproduced, stored in a retrieval system or transmitted in any form or by any means (Electronic, Mechanical, Photocopying, Recording or otherwise), without the prior written consent of the Company.

NOTES

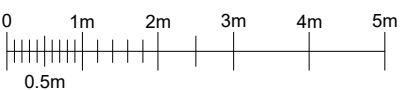


PROPOSED H3G & EE 1No. SHF 0.6m DISH AT 14.4m MEAN BEARING 283° E.T.N. I.D. No. EQU900556228 TO BE INSTALLED ON 76.1Øx5.0CHS 3000 LONG DISH SUPPORT POLE

PROPOSED H3G & EE 1No. SHF ODU AT 14.4m MEAN I.D. No. EQU900560848 TO BE INSTALLED ON 76.1Øx5.0CHS 3000 LONG DISH SUPPORT POLE

HARDSTANDING PARKING AREA

PROPOSED H3G & EE 1No. BEL-9913 FEEDER TO BE INSTALLED ON EXISTING CABLE MANAGEMENT I.D. No. EQU900559233. 12 SPARE GLANDS AVAILABLE IN ROXTEC AND ON EXISTING FEEDER BRACKETS ON TOWER LEG 'C' TO BE UTILISED



METER CABINET 1
H3G & EE

1.8m HIGH CHAIN LINK FENCE
TOPPED WITH 3 STRANDS OF BARBED WIRE
TIMBER POST & WIRE FENCE

PROJECT No. 244488		CELL No. TDL021	
18	PROJ No 244488 PLANNING	06/12/21	WHP/WHP
17	PROJ No 215524 AS BUILT	17/10/19	DAL FC
16	PROJ No 182999 AS BUILT	07/03/18	HFC MF
15	PROJ No 200859 MASTER UPDATE	20/02/18	KG LBG
14	PROJ No 192273 AS BUILT	02/06/17	WHP AN
ISS	REVISION	DATE	DRN APP



SITE No 95044
 KIRKWHELPINGTON
 MOUNT GILBERT
 KIRKWHELPINGTON
 NORTHUMBERLAND
 NE19 1BN

NGR NY 94470 89660
 OS GRID 394470 589660

TITLE
 SITE PLAN
 PROPOSED
 H3G & EE LTD

SCALE 1:100

DRAWN	DJ	11/05/09
APPROVED	WHP	06/12/21

DRG No.	Sheet 1 of 1	Rev
95044-02-110-MD018		18

FEINT DETAILS INDICATE LOCATIONS RESERVED FOR OTHER PROPOSALS WHICH MAY BE THE SUBJECT OF SEPARATE APPLICATIONS

DISH DETAILS TO BE RETAINED								
ID No	ITEM	TYPE / SIZE	BEARING	MEAN HEIGHT	FEEDER LENGTH	FEEDER TYPE	No. OF FEEDERS	No. OF REMOTE ODU's
EQU900253540	D1	SHF 0.6m HP DISH	310° E.T.N.	14.7m	35.0m	BEL-9913	1	0
EQU900265572	D2	SHF 0.6m HP DISH	211° E.T.N.	15.0m	35.0m	LDF4-50A	1	0
PROPOSED DISH DETAILS								
ID No	ITEM	TYPE / SIZE	BEARING	MEAN HEIGHT	FEEDER LENGTH	FEEDER TYPE	No. OF FEEDERS	No. OF REMOTE ODU's
EQU900556228	D3	SHF 0.6m HP DISH	283° E.T.N.	14.4m	35.0m	BEL-9913	1	1

NOTES

PROPOSED H3G & EE 1No. SHF 0.6m DISH AT 14.4m MEAN BEARING 283° E.T.N. I.D. No. EQU900556228 TO BE INSTALLED ON 76.1Øx5.0CHS 3000 LONG DISH SUPPORT POLE

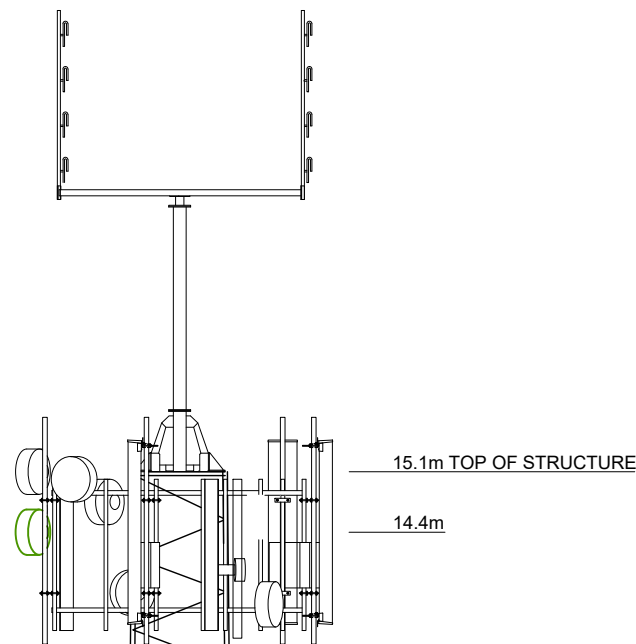
PROPOSED H3G & EE 1No. SHF ODU AT 14.4m MEAN I.D. No. EQU900560848 TO BE INSTALLED ON 76.1Øx5.0CHS 3000 LONG DISH SUPPORT POLE

H3G & EE 2No. COMMSCOPE CVV65BSX-M ANTENNAS AT 14.0m MEAN BEARINGS 130° & 320° E.T.N. I.D. No's. EQU900191356 & EQU900191357

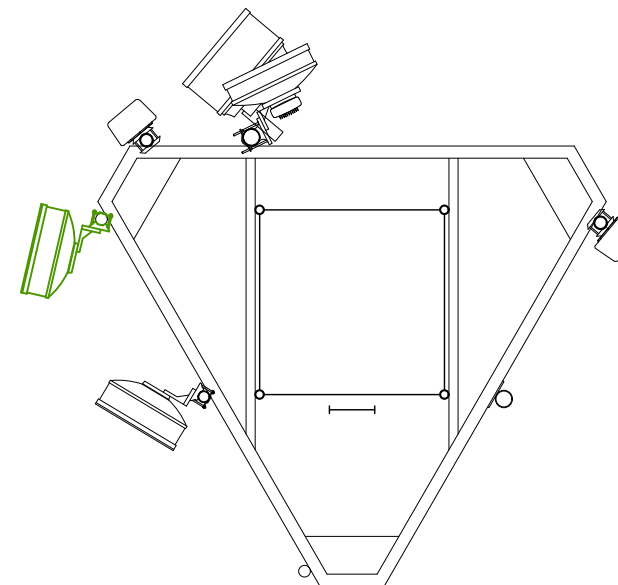
H3G & EE 1No. 0.6m DISH AT 14.7m MEAN BEARING 310° E.T.N. I.D. No. EQU900253540

H3G & EE 1No. 0.6m DISH AT 15.0m MEAN BEARING 211° E.T.N. I.D. No. EQU900265572

PROPOSED H3G & EE 1No. BEL-9913 FEEDER TO BE INSTALLED ON EXISTING CABLE MANAGEMENT I.D. No. EQU900559233. 12 SPARE GLANDS AVAILABLE IN ROXTEC AND ON EXISTING FEEDER BRACKETS ON TOWER LEG 'C' TO BE UTILISED



PROPOSED H3G & EE 0.6m DISH 14.4m MEAN 283° E.T.N I.D. No. EQU900556228

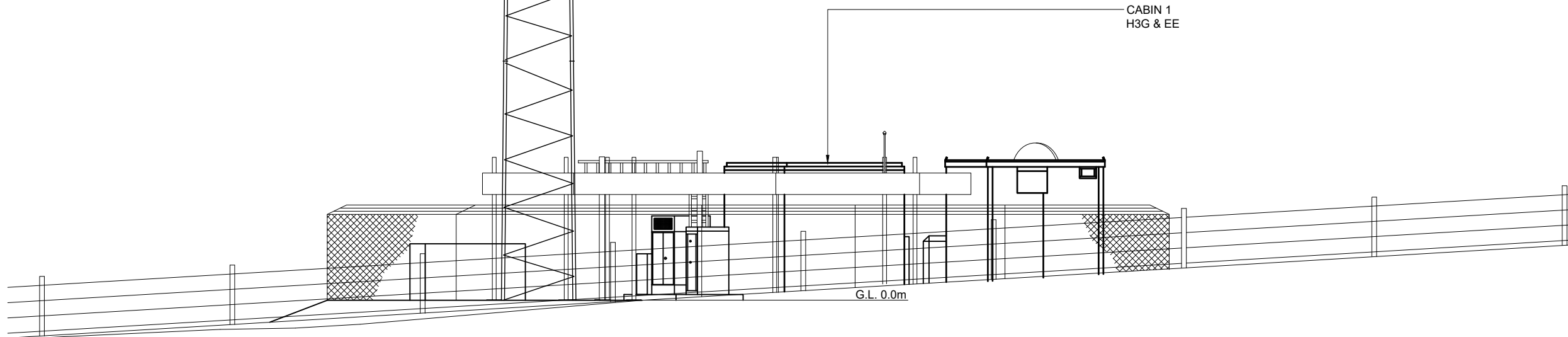


TOWER PLAN AT 14.4m
SCALE 1:50

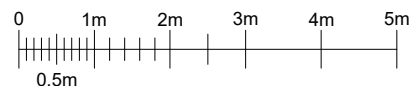


LEG 'C' LEG 'B'

CABIN 1
H3G & EE



SOUTH ELEVATION



FEINT DETAILS INDICATE LOCATIONS RESERVED FOR OTHER PROPOSALS WHICH MAY BE THE SUBJECT OF SEPARATE APPLICATIONS

PROJECT No.		244488	
CELL No.		TDL021	
18	PROJ No	244488	PLANNING
	AS BUILT		
17	PROJ No	215524	AS BUILT
	AS BUILT		
16	PROJ No	182999	AS BUILT
	AS BUILT		
15	PROJ No	200859	MASTER UPDATE
	AS BUILT		
14	PROJ No	192273	AS BUILT
	AS BUILT		
ISS	REVISION	DATE	DRN APP



CELLNEX UK
R+, 4TH FLOOR, 2 BLA GRAVE STREET, READING, RG1 1AZ
Tel. 020 4526 8553

SITE No 95044
KIRKWHELPINGTON
MOUNT GILBERT
KIRKWHELPINGTON
NORTHUMBERLAND
NE19 1BN

NGR NY 94470 89660
OS GRID 394470 589660

TITLE
SITE ELEVATION
PROPOSED
H3G & EE LTD

SCALE 1:100

DRAWN	DJ	11/05/09
APPROVED	WHP	06/12/21

DRG No.	Sheet 1 of 1	Rev
95044 - 02-160 - MD018		18