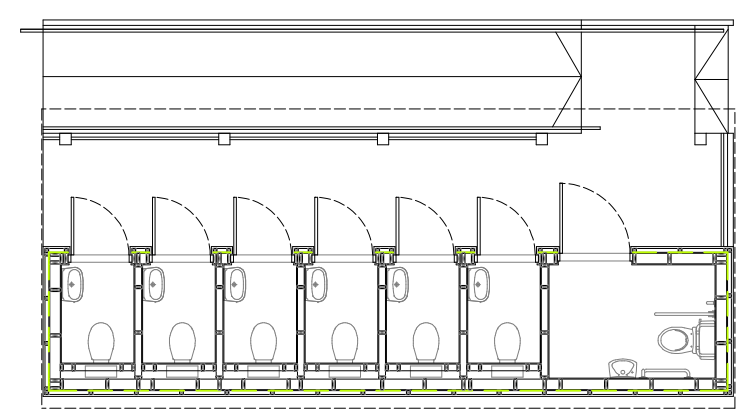
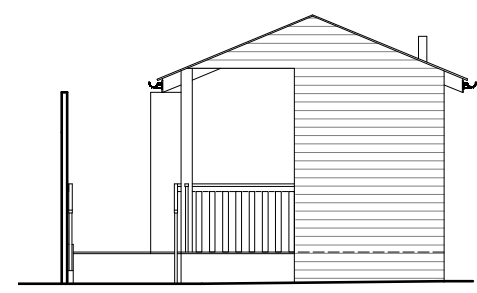


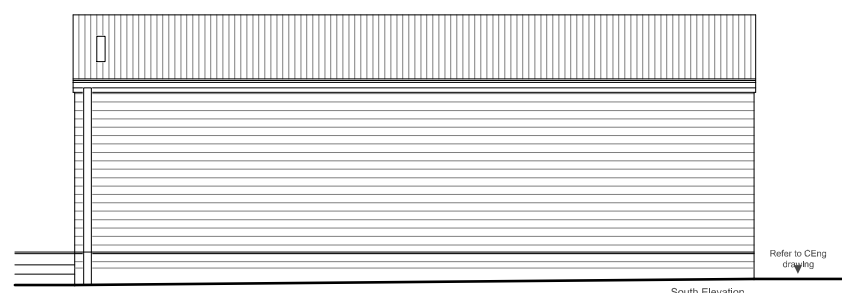
Site Plan Key  
1:1250



Floor Plan

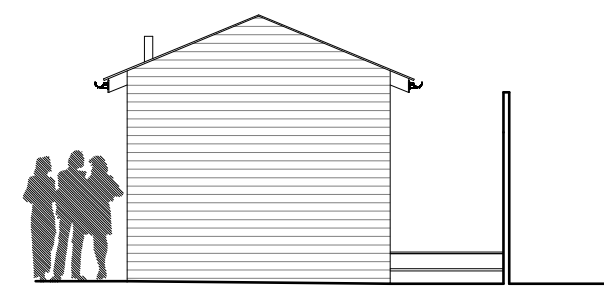


South East Elevation



North East Elevation

Refer to CEng drawing



North West Elevation



South West Elevation



orme

Shapwick Heath NNR P3

revision  
A - Revised location for WC Block

revision date  
10.11.21

title  
Proposed WC Block

date  
18.09.18

scale  
1:100 @ A3

drg  
1118/032 rev A

The title, copyright and confidential information in this document belongs to Orme Limited, all rights reserved. All dimensions to be checked on site before work commences and any discrepancies reported to the Architect immediately. This drawing is to be read in conjunction with other documents issued by the Architect.

Mill Farm Barns, Tuckers Lane, Baltonsborough, Glastonbury, BA6 8RH :: t 01458 445100 :: info@orme-architecture.com