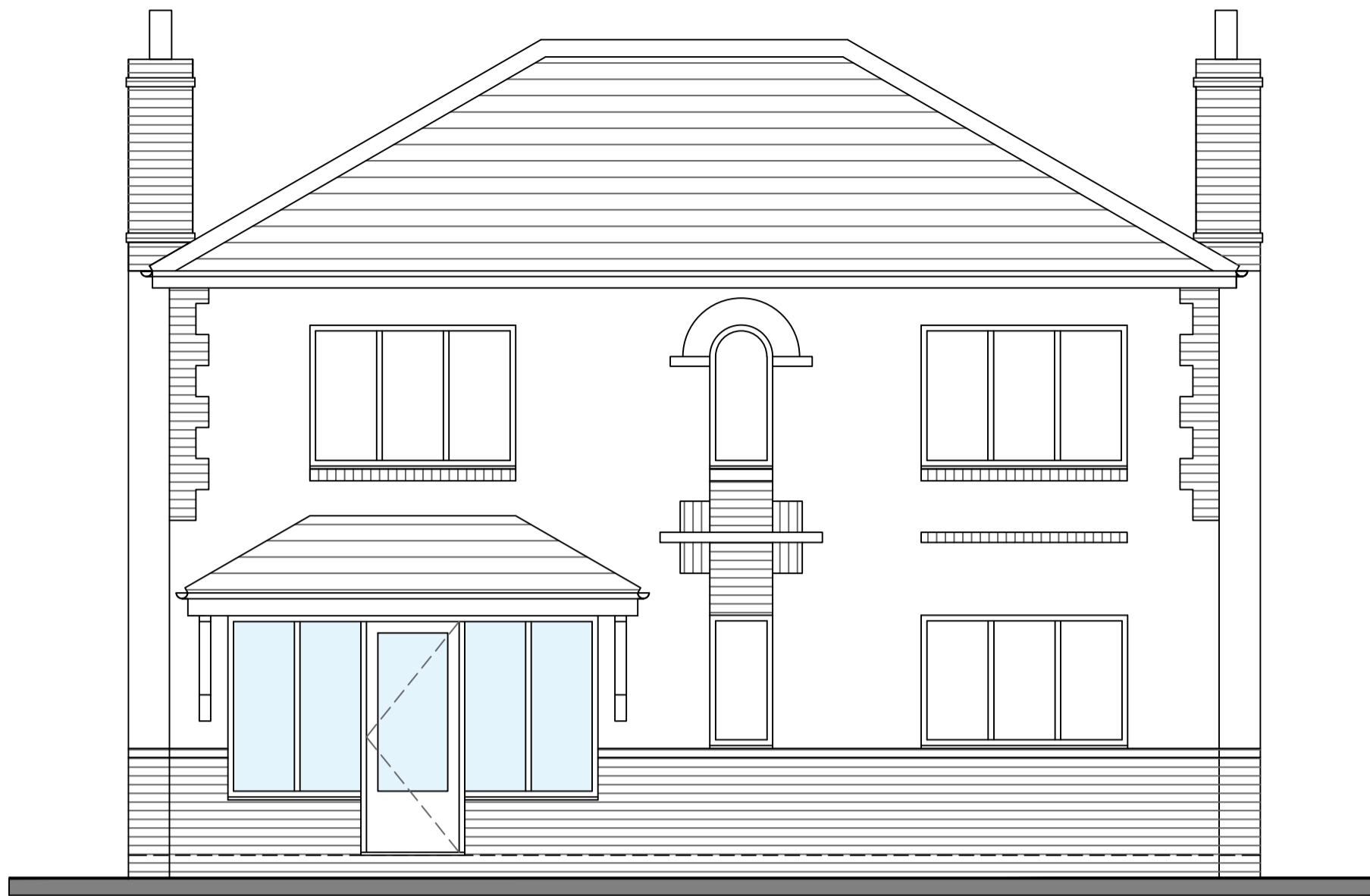
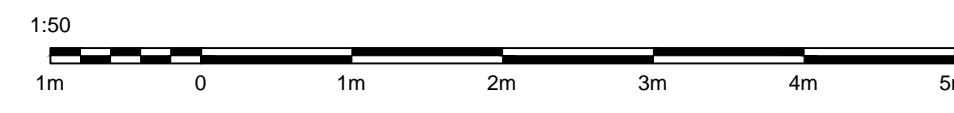
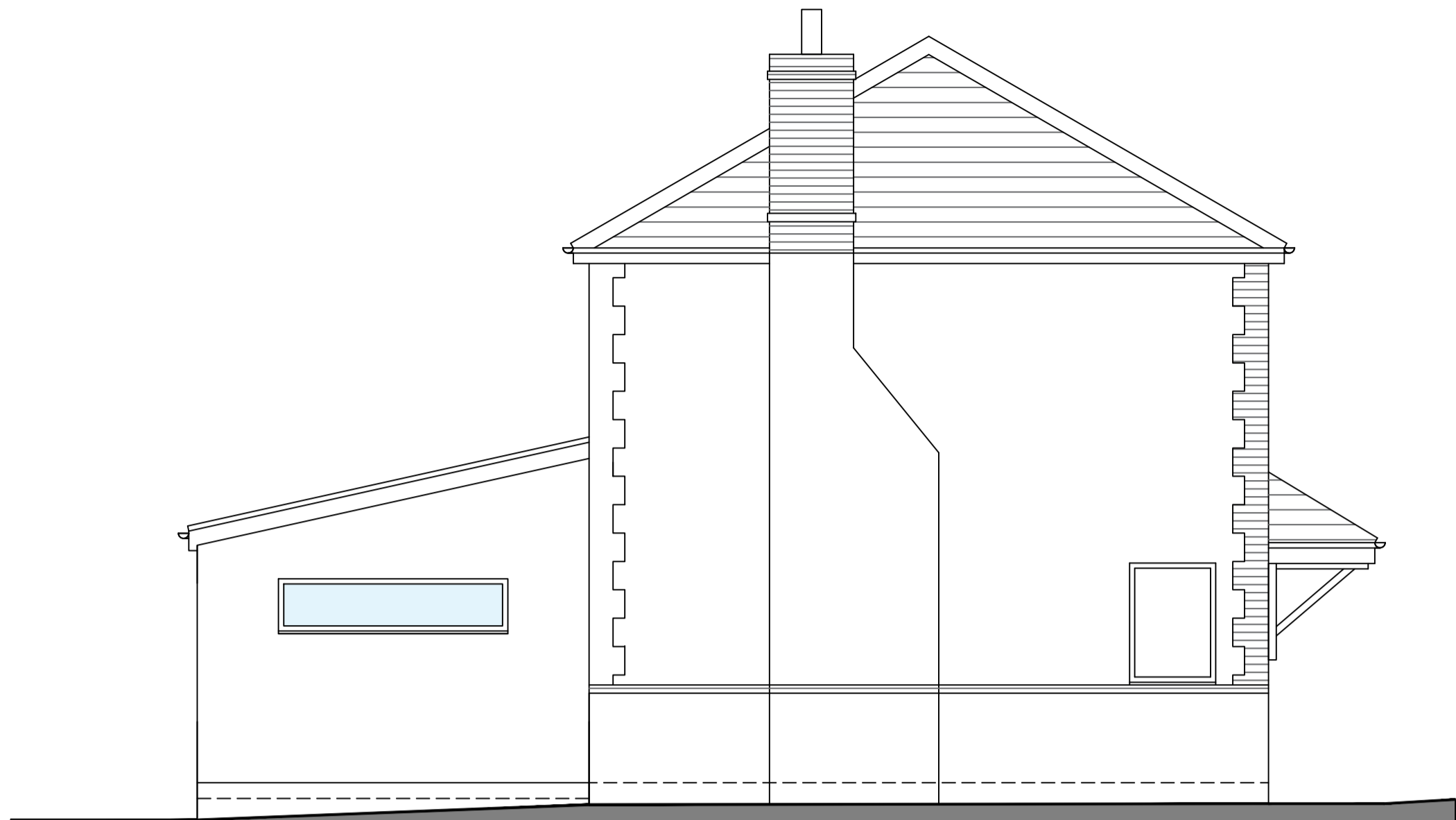


# PROPOSED ELEVATIONS & SITE PLAN



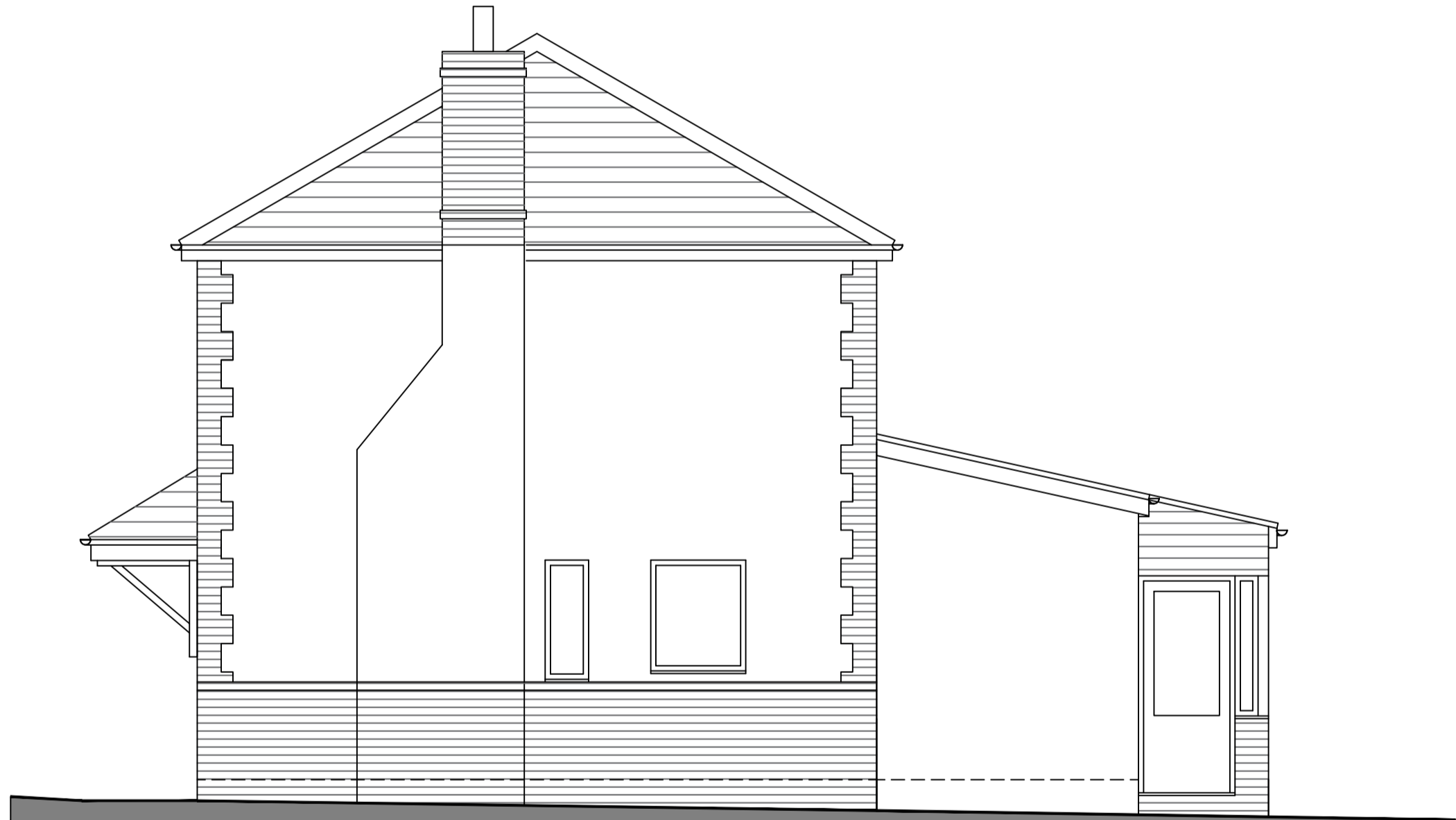
1:50 PROPOSED FRONT ELEVATION  
(To Mains Lane)



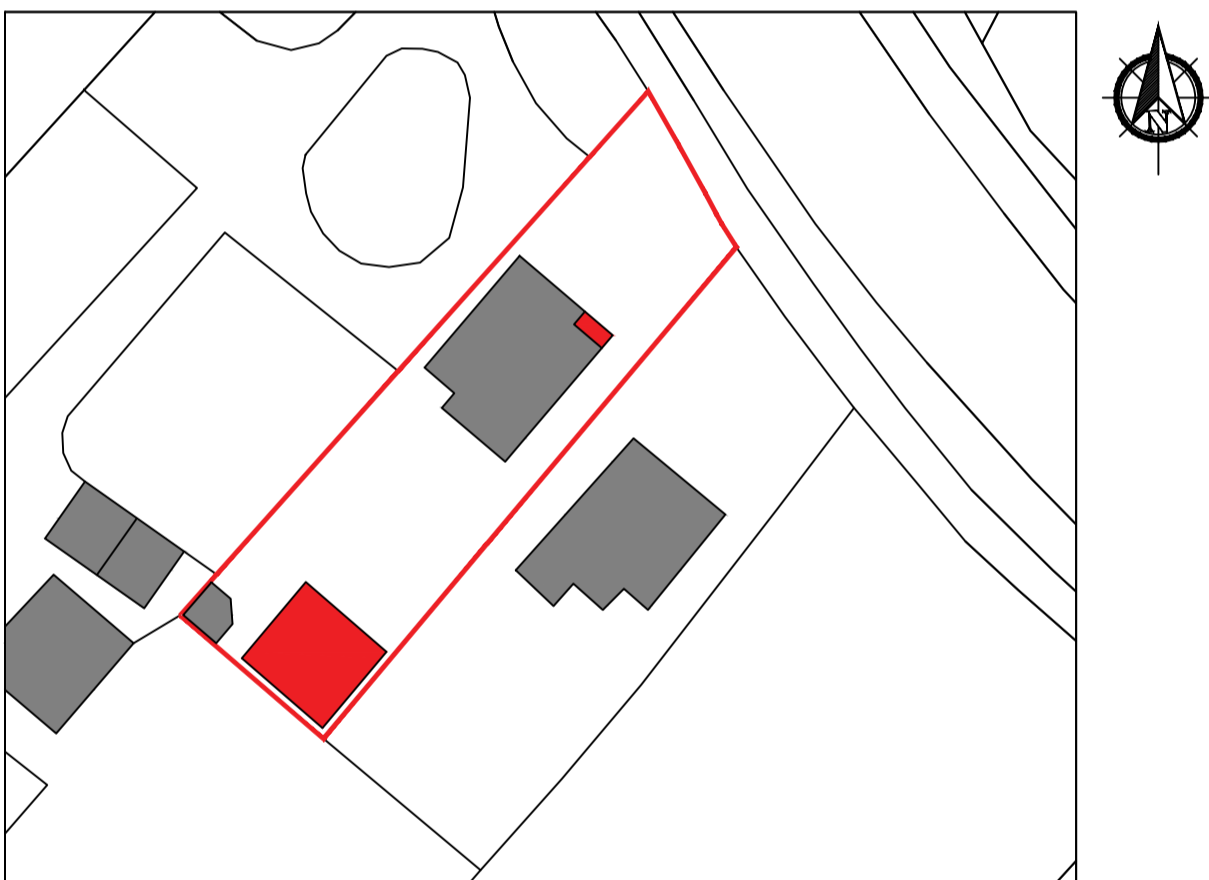
1:50 PROPOSED SIDE ELEVATION  
(To No.75 Mains Lane)



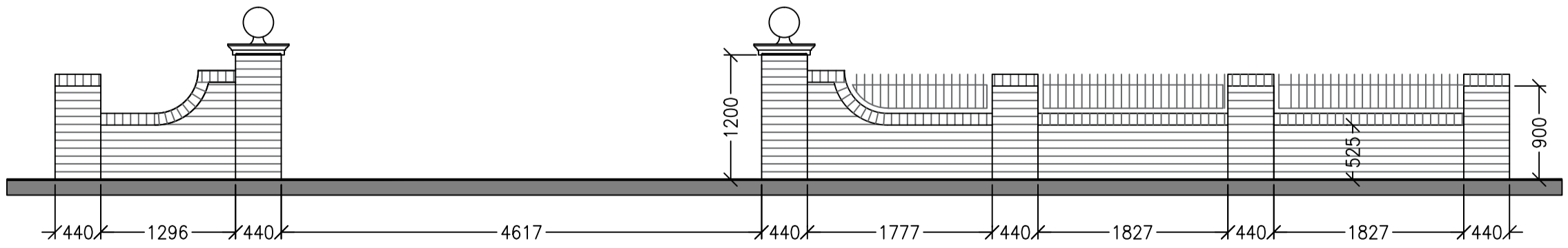
1:50 PROPOSED REAR ELEVATION  
(To Rear Garden)



1:50 PROPOSED SIDE ELEVATION  
(To Greenways Nursery)



1:500 PROPOSED SITE PLAN



1:50 PROPOSED FRONT WALL ELEVATION  
(To Mains Lane)

# PROPOSED EXTENSIONS & ALTERATIONS 77 MAINS LANE, SINGLETON, FOR MR MARK CHADWICK

THIS DRAWING AND ITS CONTENTS ARE AND REMAIN THE COPYRIGHT OF LINDSAY F ORAM CHARTERED ARCHITECT LIMITED. DO NOT SCALE. IF IN DOUBT SEEK CLARIFICATION.

**Lindsay F Oram** BA(Hons), BArch, ARB, RIBA  
Chartered Architect  
FYCreatives  
154-158 Church Street  
Blackpool  
Lancashire  
FY1 3PS  
T: 07479 194983  
oramarchitect@gmail.com

CLIENT  
MR MARK CHADWICK

PROJECT  
**PROPOSED EXTENSIONS & ALTERATIONS  
77 MAINS LANE  
SINGLETON  
LANCASHIRE**

DRAWING TITLE  
PROPOSED ELEVATIONS & SITE PLAN  
DATE  
NOV 21  
DRAWN  
LFO  
SCALE @ A1  
1:50/500@A1  
DRAWING NUMBER  
558-02  
REV  
-

- PRE-TENDER ISSUE
- TENDER ISSUE
- CONSTRUCTION ISSUE
- AS-BUILT DRAWINGS