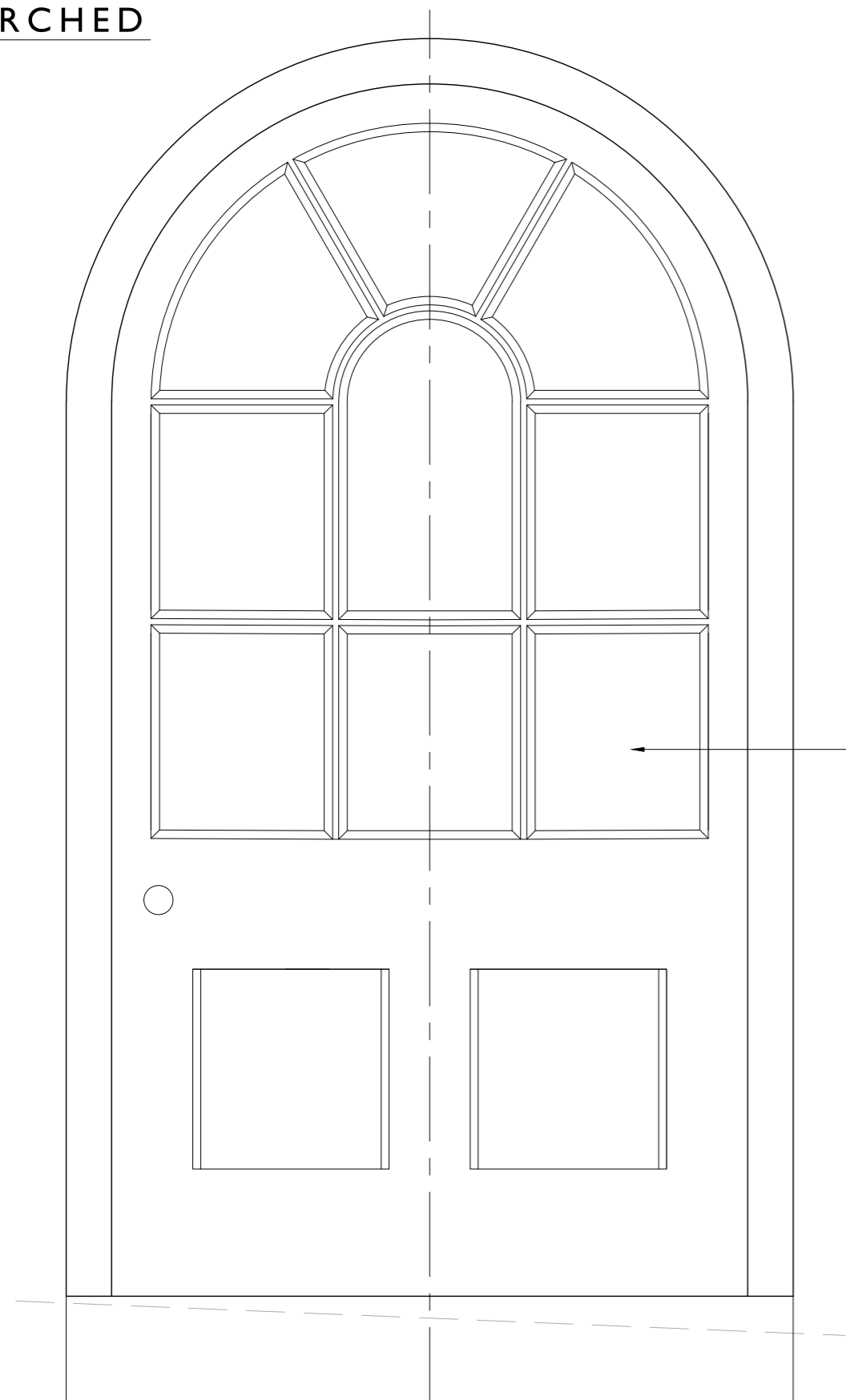
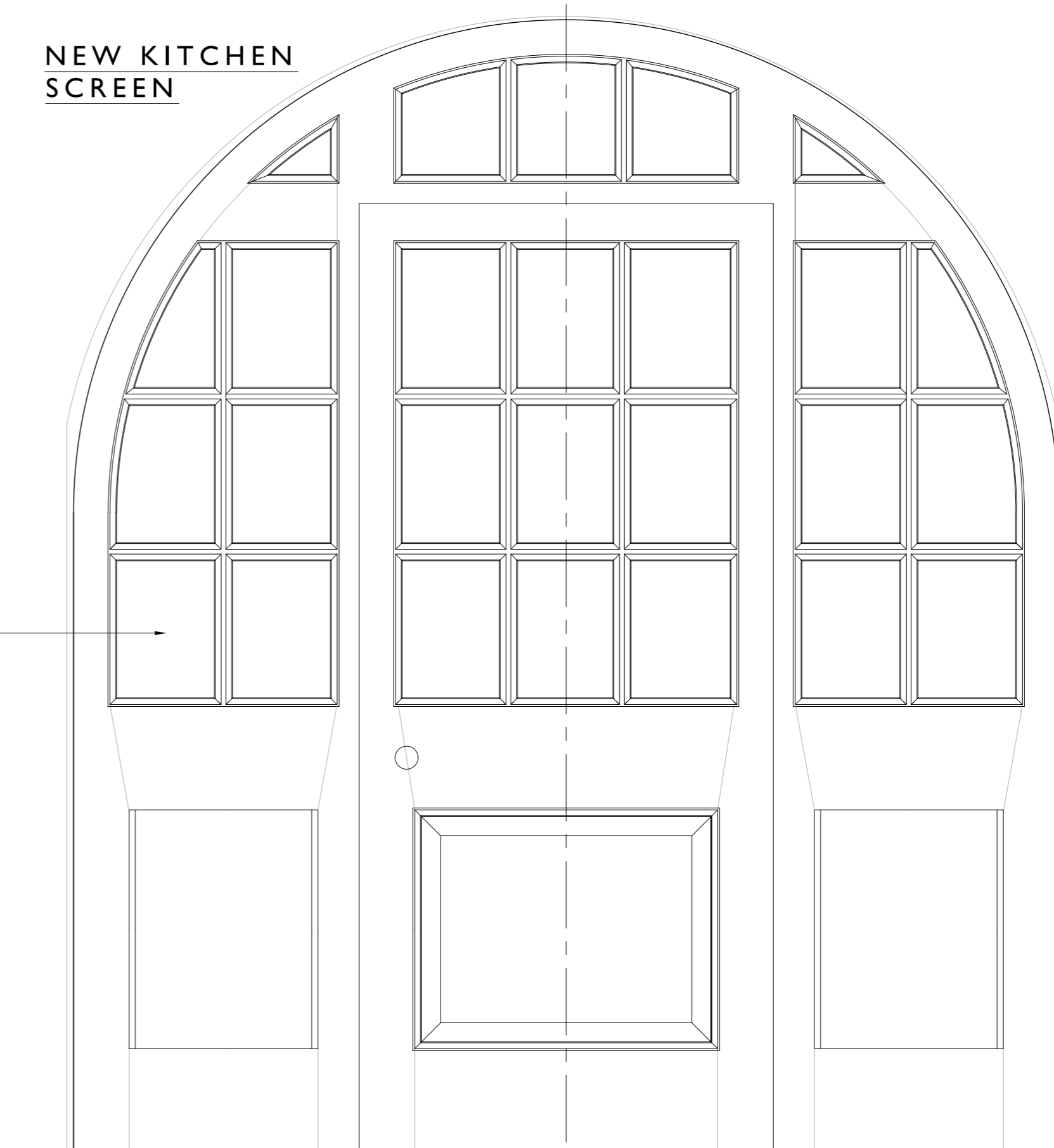


**NEW ARCHED
DOOR**

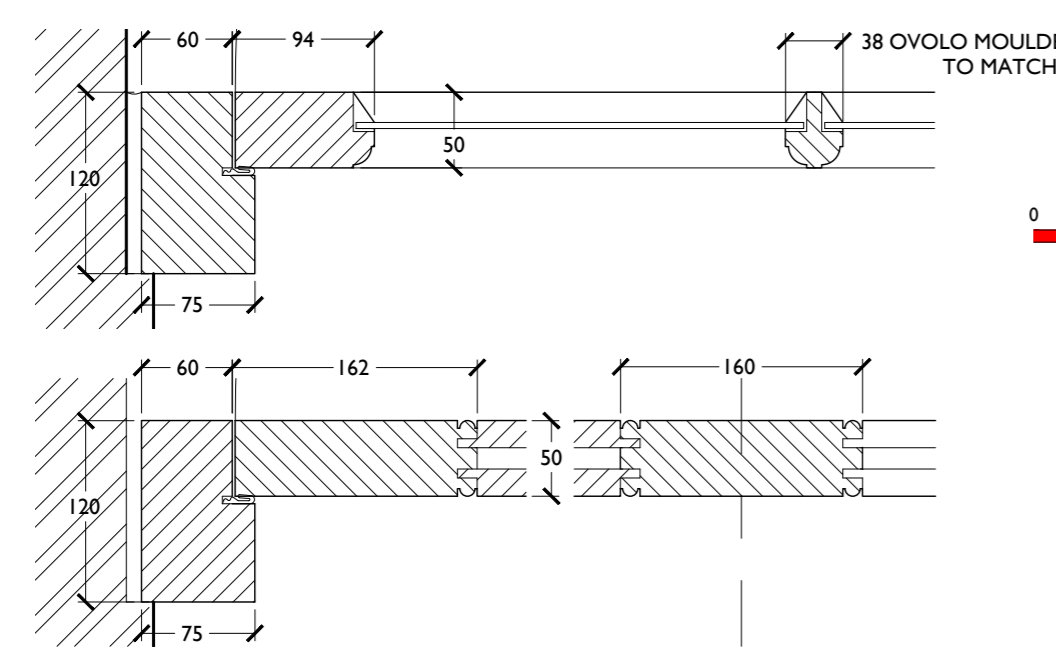
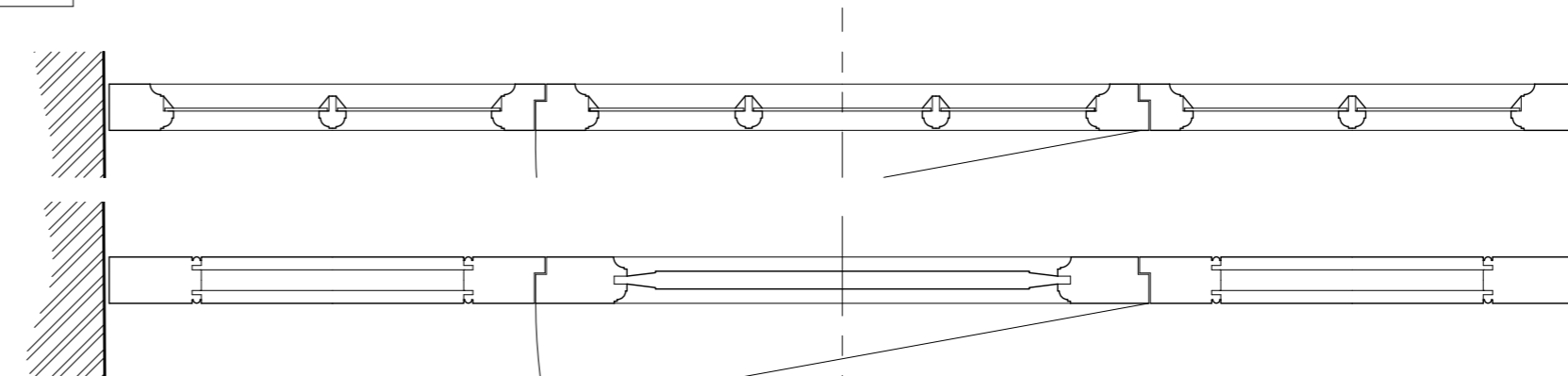
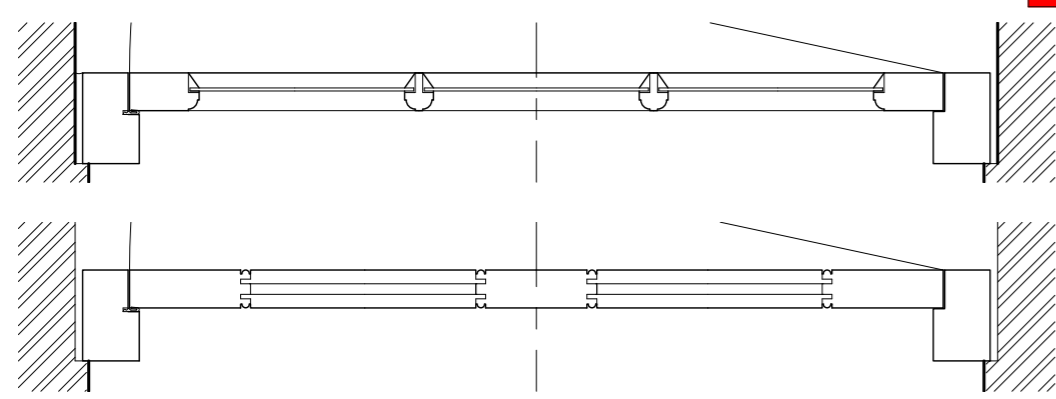
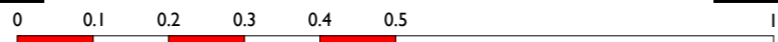


**NEW KITCHEN
SCREEN**



DOOR AND FRAME IN PAINTED
TIMBER. GLAZING TO BE 6MM
TOUGHENED GLASS

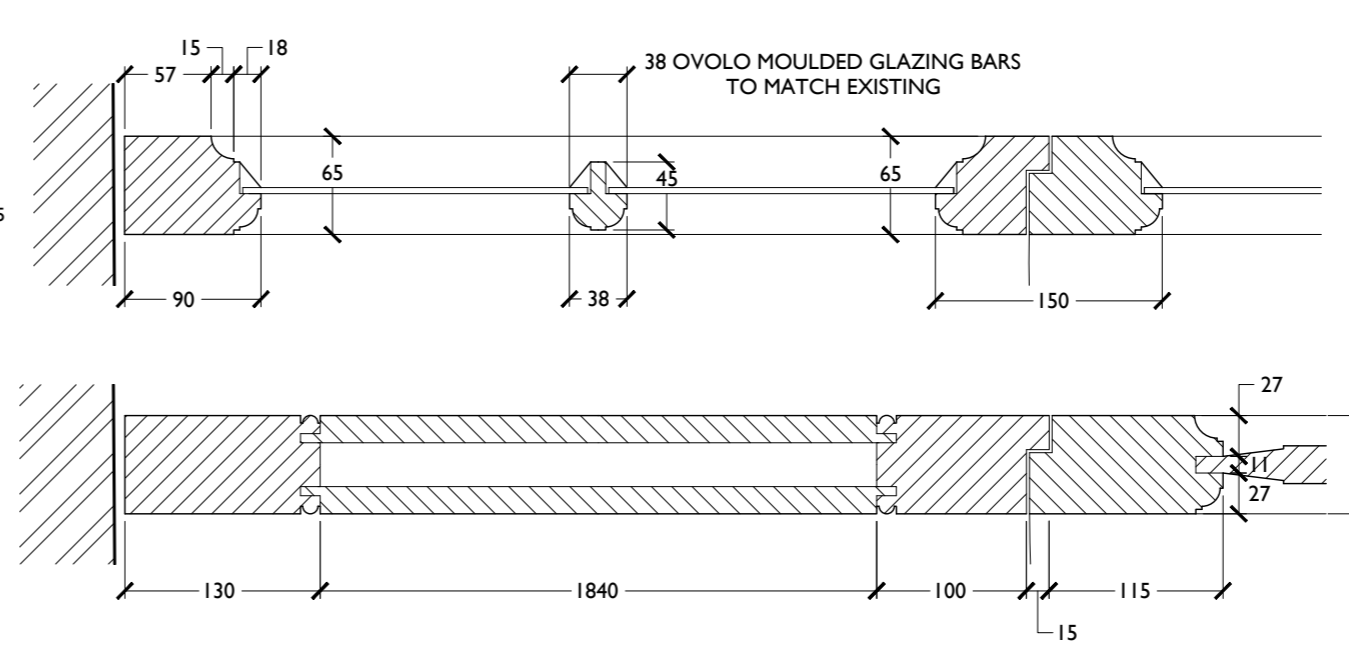
Scale in meters 1:10



Scale in meters 1:5



JOINERY DETAILS
SCALE 1:5



REV	DATE	DETAILS
CLIENT		
Mr & Mrs P Zisman		
PROJECT		
Stedcombe House Axmouth Devon EX12 4BJ		
DRAWING		
Proposed Kitchen Screen & Arched Door		
SCALE	1:10 & 1:5	PAPER A2
DATE	9.8.21	
DRAWING STATUS	Planning	
PROJECT REF	DRAWING NO	REV
1233	09	P0
DRAWING BY:		
GM		

**STUART
MARTIN**

LEWCOMBE WOODS FARMHOUSE
EVERSHOT • DORSET • DT2 0PH
TEL: 01935 83543
stuart@stuartmartinarchitects.com

www.stuartmartinarchitects.com
architects