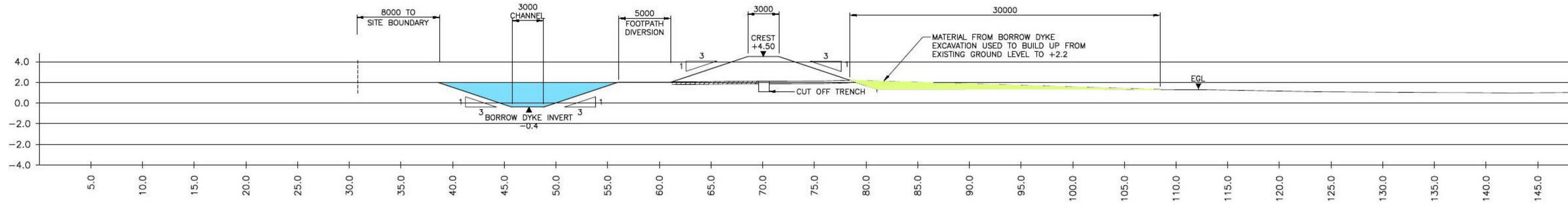
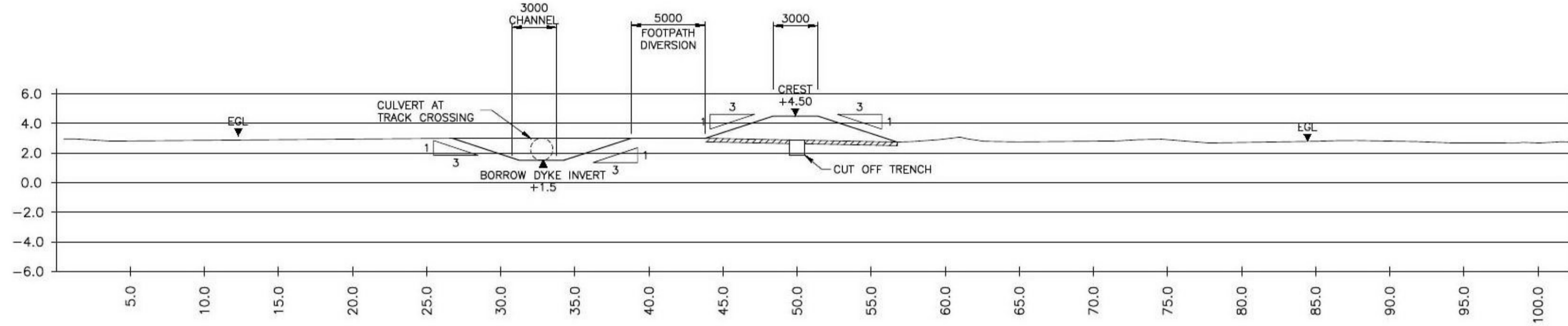


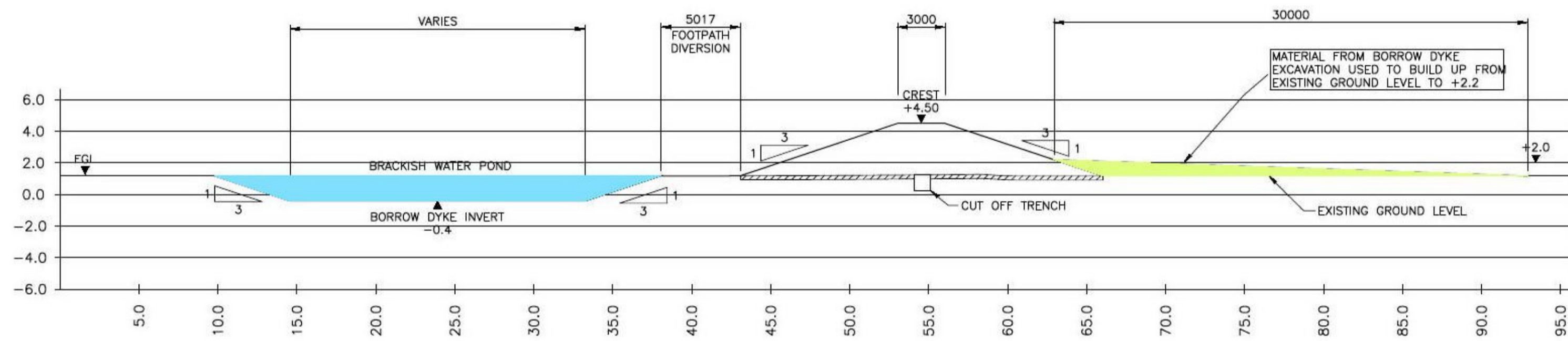
1. FIGURE FP4 TO BE READ IN CONJUNCTION WITH FIGURE FP3.



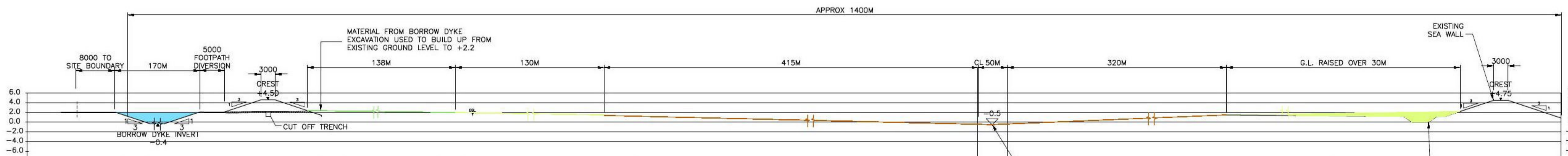
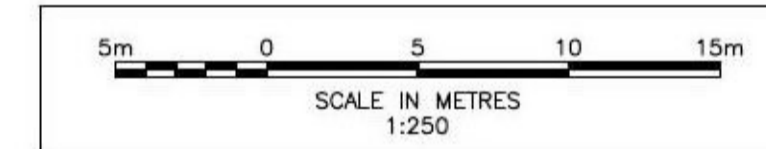
SECTION A - A
SCALE 1:250
FOR LOCATION OF SECTION REFER TO FIGURE NO. FP3



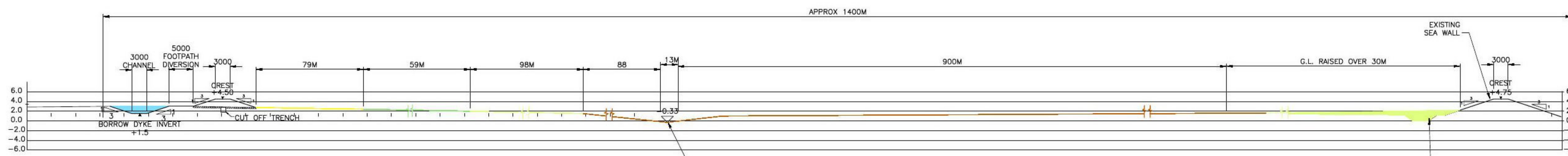
SECTION B - B
SCALE 1:250
FOR LOCATION OF SECTION REFER TO FIGURE NO. FP3



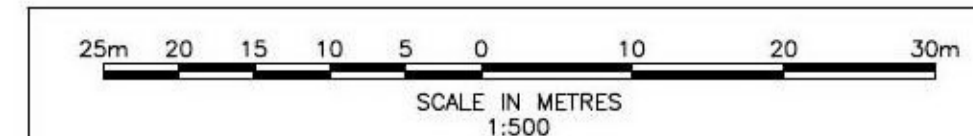
SECTION C - C
SCALE 1:250
FOR LOCATION OF SECTION REFER TO FIGURE NO. FP3



SECTION D - D
SCALE 1:500
FOR LOCATION OF SECTION REFER TO FIGURE NO. FP3



SECTION E - E
SCALE 1:500
FOR LOCATION OF SECTION REFER TO FIGURE NO. FP3



REV	DATE	DESCRIPTION	BY	CHK	APP

REVISIONS



PROJECT
**MANAGED REALIGNMENT AT
LITTLE OAKLEY, HAMFORD WATER**

TITLE
**PROPOSED SEAWALL
AND SITE SECTIONS**



DRAWN	CHECKED	APPROVED
MH	MH	MH

DATE 24/11/20 CLIENT'S REF.

SCALE AT A1 1:2500 AUTOCAD REF.

DRAWING No.	STATUS	REVISION
FP4	-	-