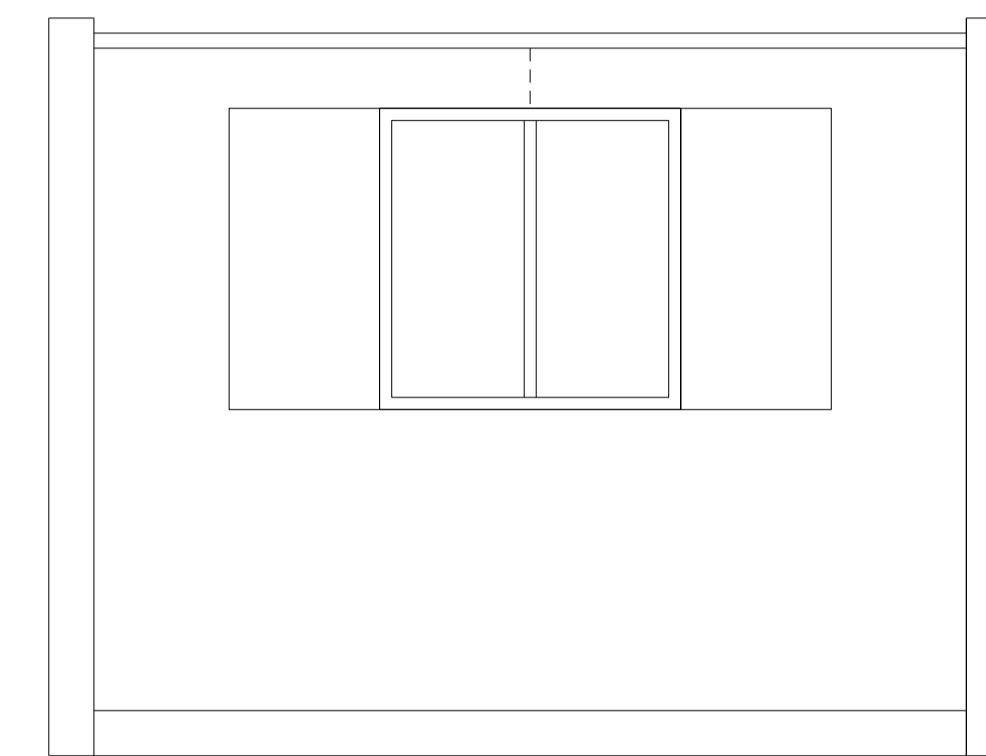
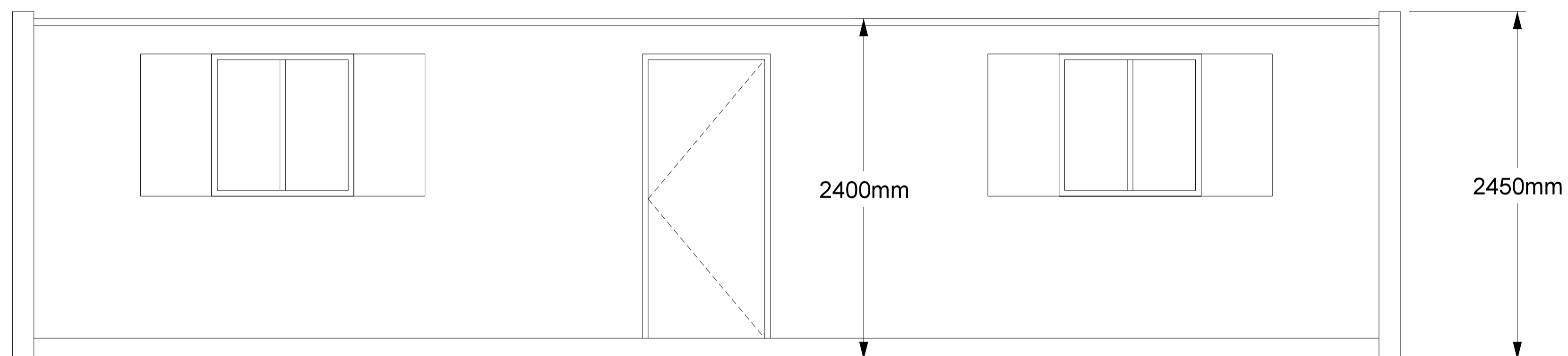


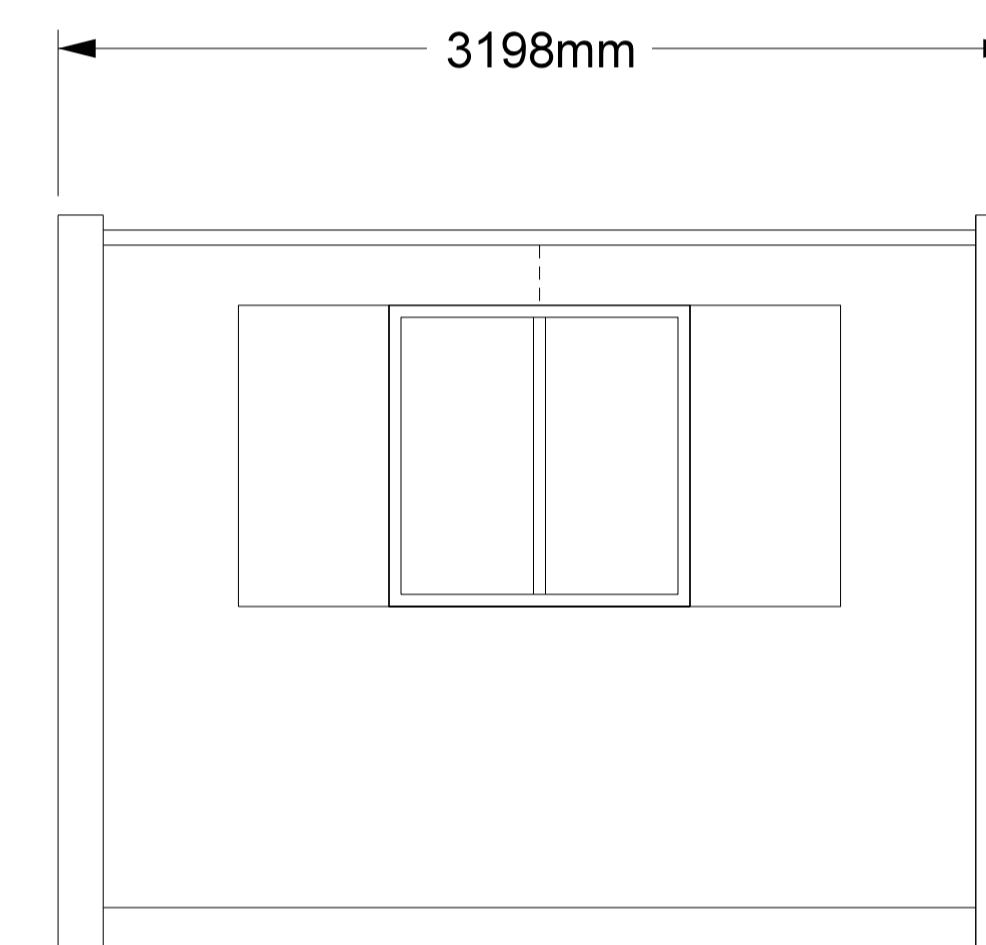
PROPOSED FRONT ELEVATION



PROPOSED SIDE ELEVATION 01

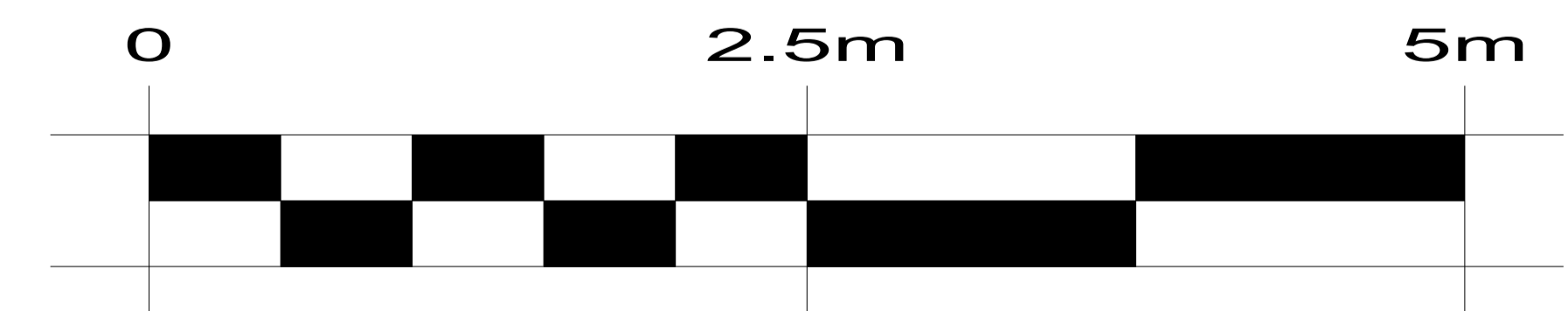


PROPOSED REAR ELEVATION



PROPOSED SIDE ELEVATION 02

**Note!**  
 Total Gross Volume  
 = 74.4 c.m per Cabin.



GENERAL NOTES: 1. DO NOT SCALE FROM THIS DRAWING, UNLESS FOR PLANNING PURPOSES 2. ALL DIMENSIONS TO BE VERIFIED ON SITE PRIOR TO ANY WORKS BEING COMMENCED AND ANY DISCREPANCIES TO BE REPORTED TO DESIGN COMPANY GROUP LTD 3. ANY DISCREPANCIES BETWEEN THE DRAWING AND ANY WRITTEN SPECIFICATION IS TO BE REPORTED TO DESIGN COMPANY GROUP LTD. 4. THIS DRAWING TO BE READ IN CONJUNCTION WITH RELEVANT CONSULTANTS AND SPECIALIST DRAWINGS. 5. ALL WORKS TO COMPLY WITH THE RELEVANT BRITISH STANDARDS, CODES OF PRACTICES AND BUILDING REGULATIONS.		6. IF IN DOUBT ABOUT ANY OF THE WORKS, PLEASE ASK! 7. THIS DRAWING IS THE COPYRIGHT OF DESIGN COMPANY GROUP LTD. AND IS NOT TO BE REPRODUCED IN ANY FORM WITHOUT PRIOR WRITTEN CONSENT. 8. ANY WORK DONE ON THE PARTY WALL OR BOUNDARY LINE NEEDS TO HAVE A PARTY WALL AWARD IN PLACE. 9. BOUNDARY LINES AND BOUNDARY LINE MEASUREMENTS ARE APPROXIMATE AND NEED TO BE CONFIRMED.		REV.	DATE	REVISIONS:	REV.	DATE	REVISIONS:	REV.	DATE	REVISIONS:	CLIENT: SUTTON GRAMMAR SCHOOL	PROJECT: PROPOSED TEMPORARY CHANGING ROOM CABINS WALCH MEMORIAL SPORTS GROUND NORTHEY AVE.	83 High Street, Caterham, Surrey CR3 5UF
													SCALE: 1:50 @ A3 DATE: DEC 2021	DRAWING TITLE: PROPOSED EXTERNAL ELEVATIONS	design company group
													DRAWN: MDC	ISSUED FOR: Planning	DRAWING NUMBER: 1186-TC-01
														Tel. 01883 344 481	www.designcompanygroup.com info@designcompanygroup.com