

XL SWIMMING POOL CONSTRUCTION SEQUENCE

An inside look at how one of the strongest pool wall systems is easily and quickly assembled to ensure minimum time on site.

1. THE IDEAL LOCATION
for maximum shelter and sun-light in the garden is marked out, ready for excavation.



2. EXCAVATING THE POOL
to correct dimensions provided on XL plans, utilising digger and dumper truck.

3. PLACING HEAVY DUTY ZINC GALVANISED PANELS
with optional XTRAGARD coating) in position around the pool.



4. PANELS AND XL BRACING
assembled, pools walls plumbed and levelled before the concrete is poured around the XL braces and the base of the panels to form a permanent footing.



5. THE FLOOR SCREED

must contain soft sand, and be finished accurately to the right dimensions with a steel float.

Note the XL BRACING system combines with the concrete deck to form a box-like structure of immense strength all around the pool.

6. A TAILORED ONE-PIECE LINER

with a choice of colours and patterns is fitted using an industrial vacuum machine which ensures a smooth finish. The XL BRACING system allows the pool to be self-supporting whether full or empty.



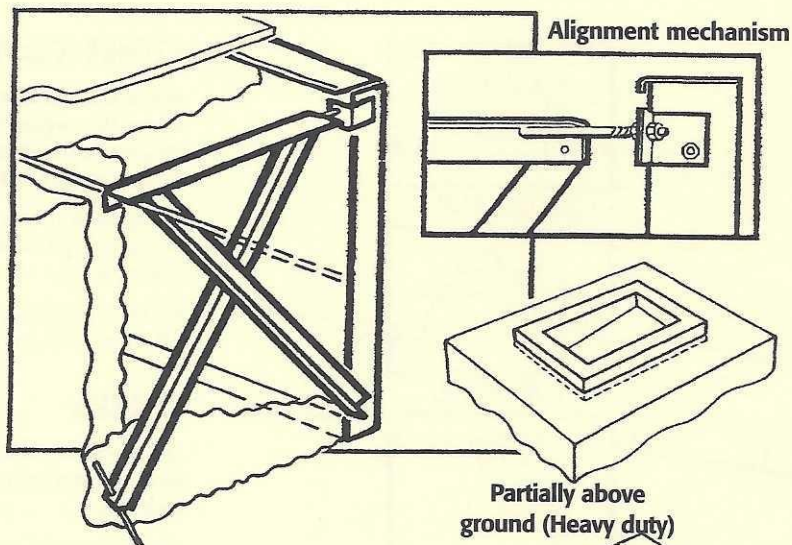
7. BACKFILLING COMPLETE,

the concrete deck support system and coping concludes the basic construction of the pool.

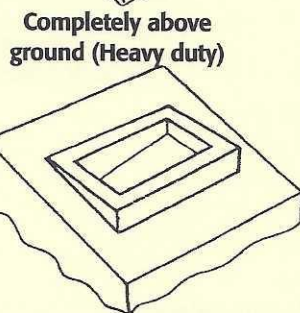
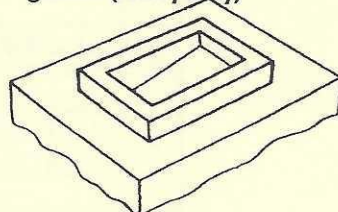
8. THE SWIMMING POOL

is finished off with attractive paving, and the pool is ready for many happy years of use by all the family.

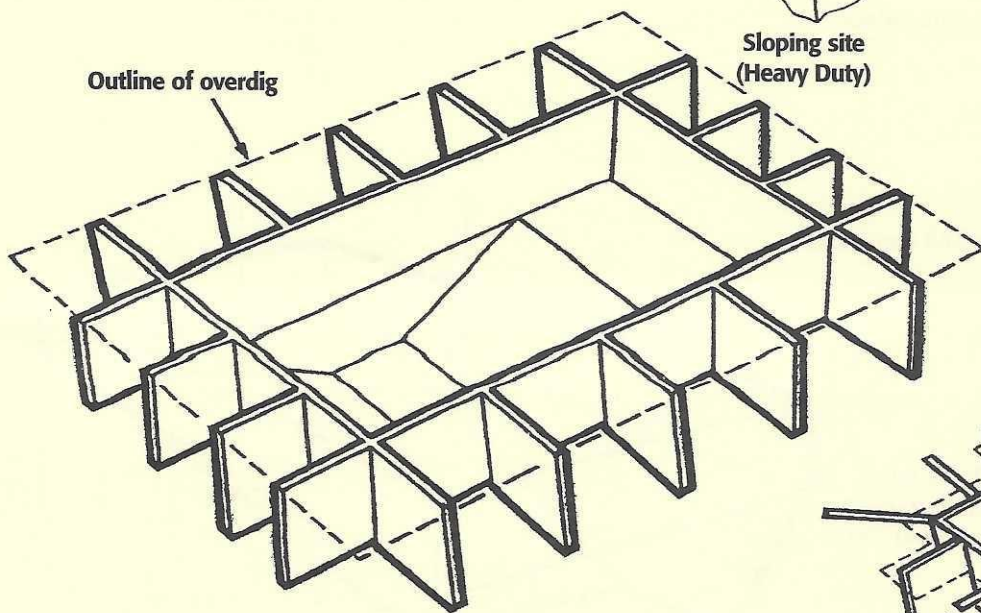




'X' BRACE SYSTEM



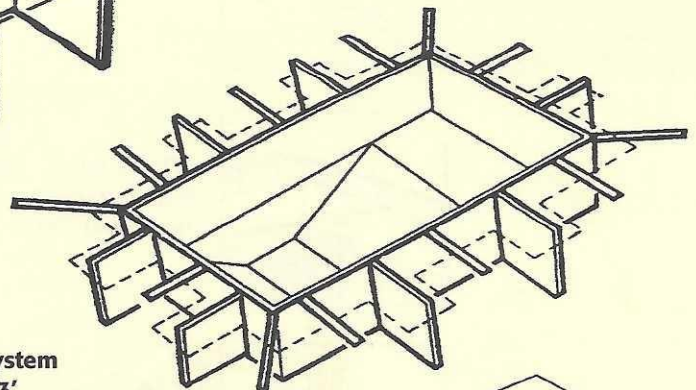
'X' BRACE AT 4' CENTRES



Sloping site
(Heavy Duty)

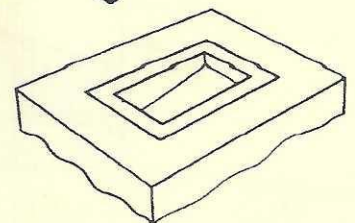
'X' BRACE AT 8' CENTRES

Requiring minimal overdig



• The 'X' Brace system incorporates a 3' concrete walkway around the pool.

Completely inground
(Regular duty)



CONSTRUCTION SYSTEMS

XL range of construction systems, developed through experience, ensures their suitability to varying site conditions.

This means that pools can be set in, above or partially out of the ground as illustrated.

The modular design can absorb ground movement* extending the advantages of vinyl lined pools.

This proven technique speeds up installation and so minimises disruption.

XL modular pool construction is designed to minimise ice and frost damage that can affect conventional block pools.

The 'A' Brace will accommodate most pool installations.

However, the versatility of the 'X' Brace means the pool can be completely above ground, with the earth banked behind.

This is particularly useful when there is a big water table, rock, sloping ground or simply when major garden restructuring is required.